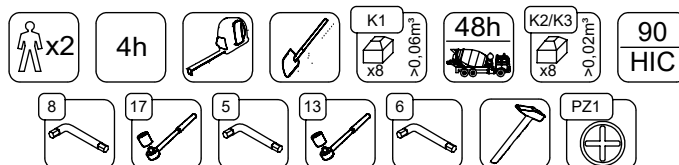
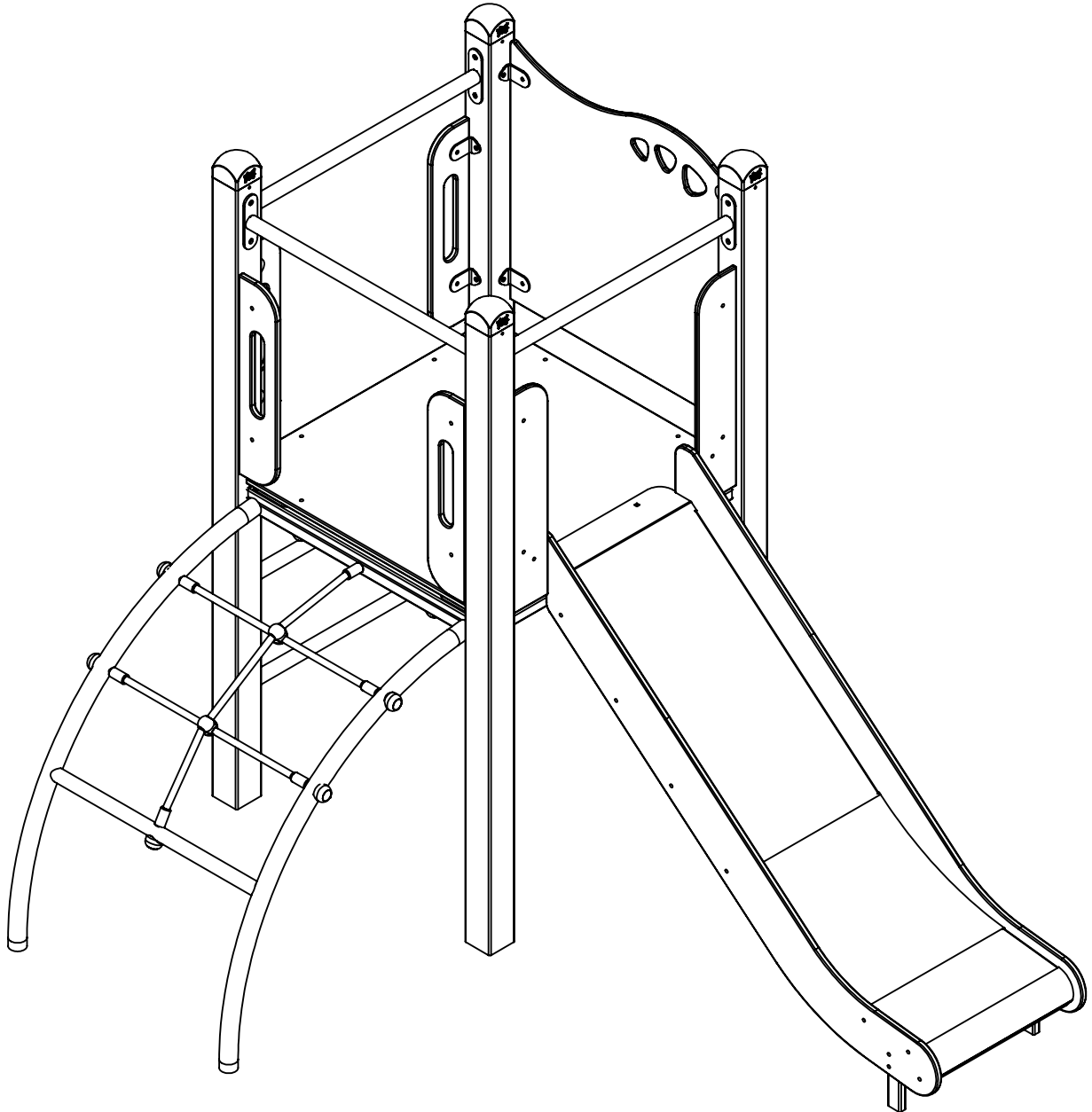
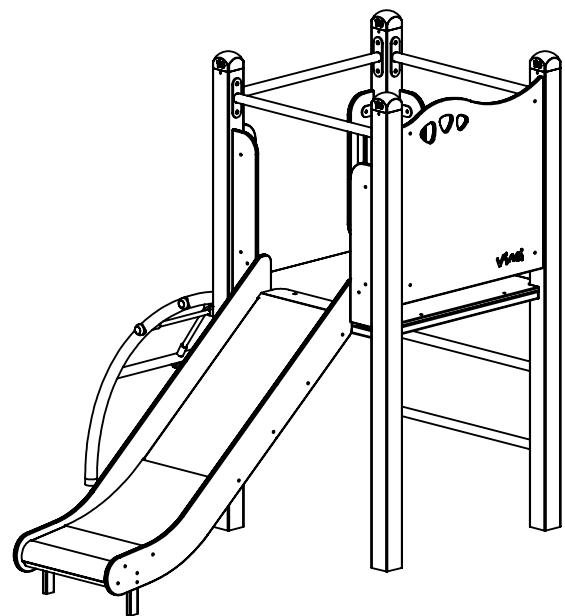
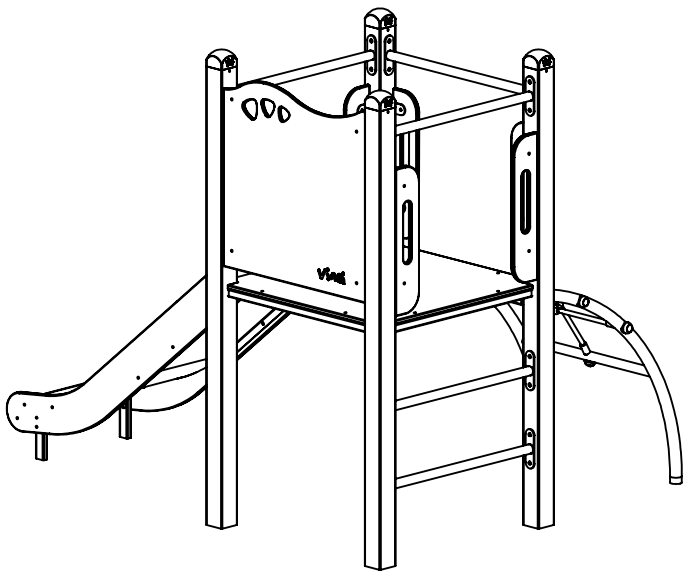
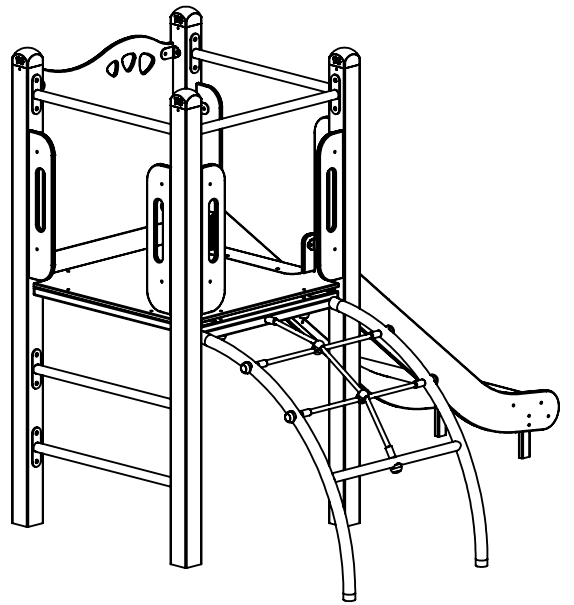
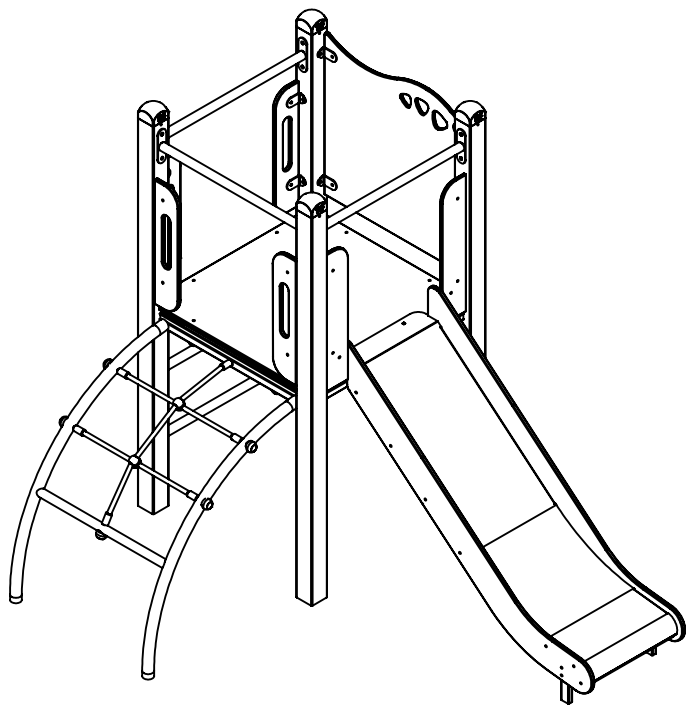


0200



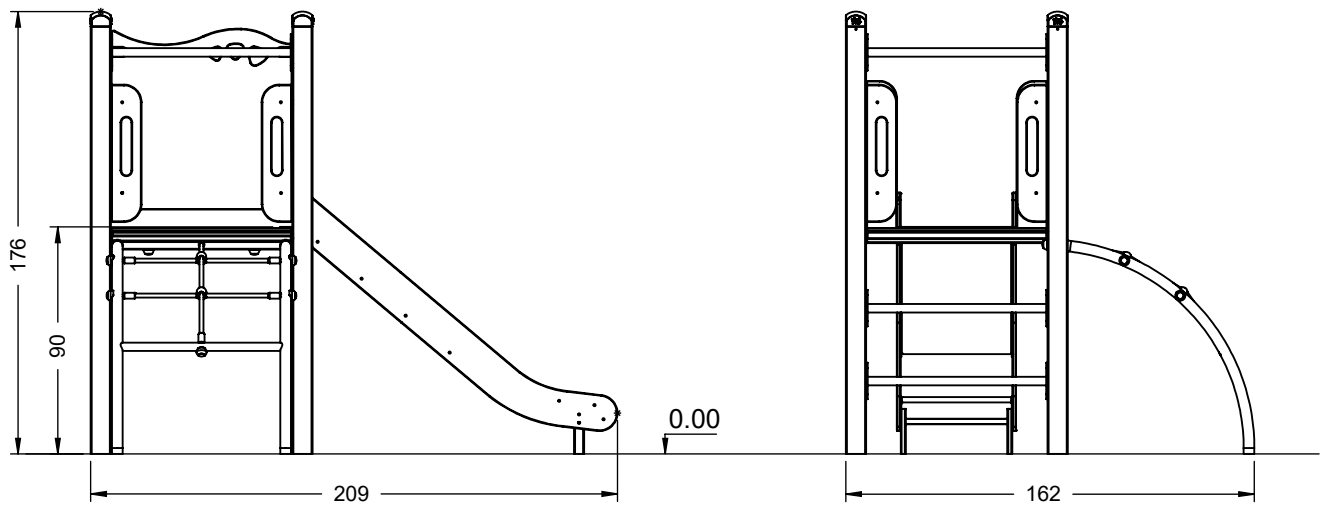
v014
13.01.2022
D. P.
[cm]

vinci
play



[cm]

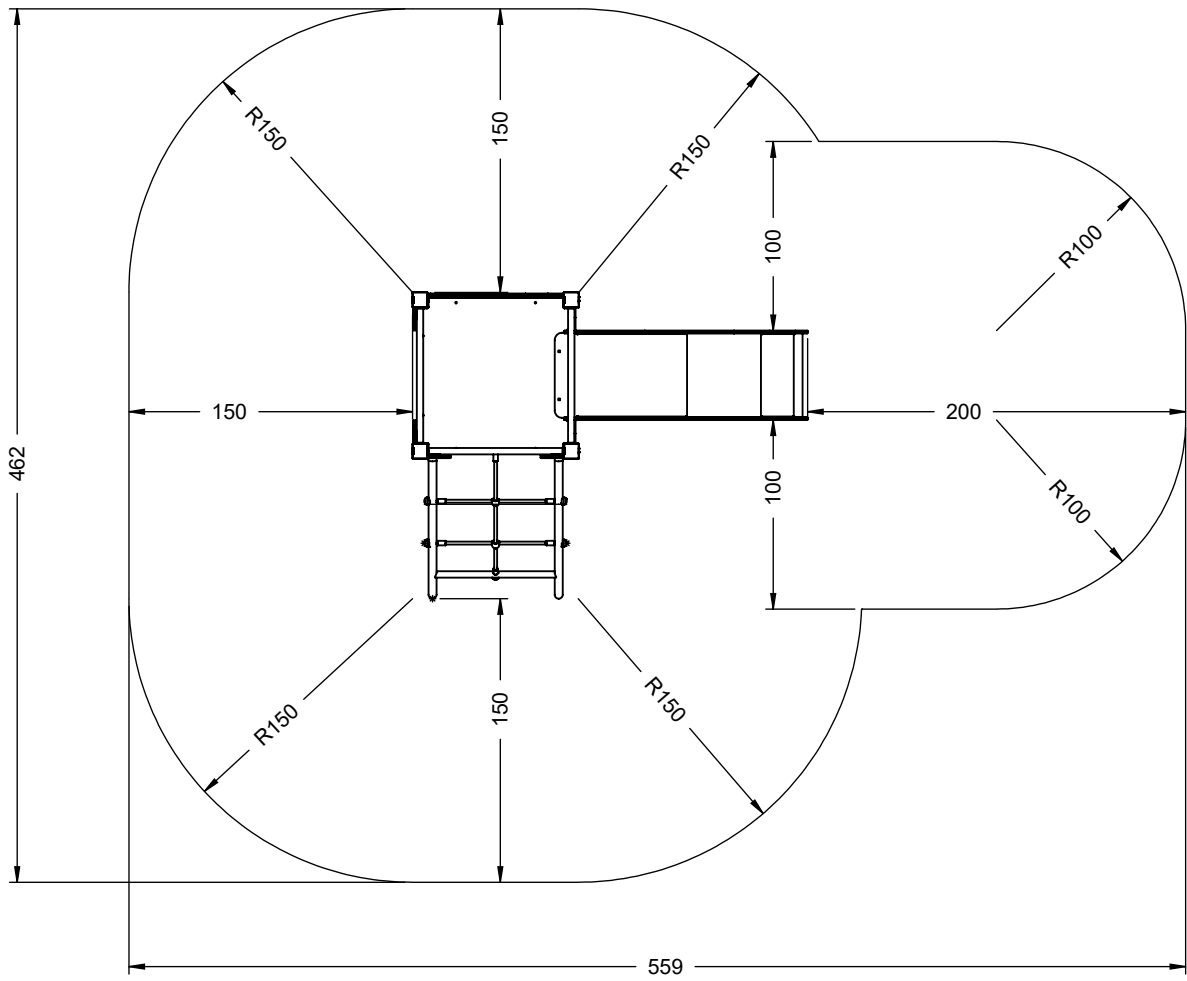
vinci
play



[cm]



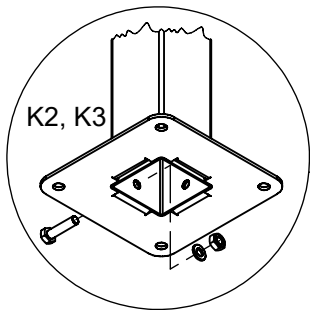
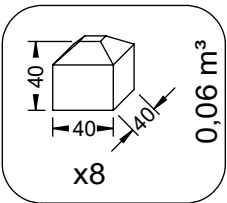
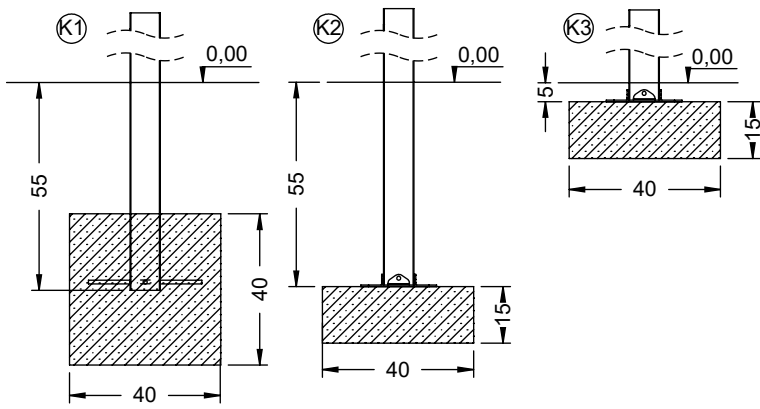
vinci
play



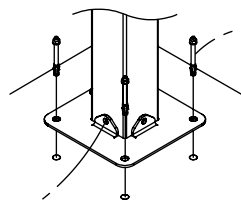
[cm]






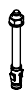
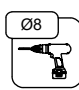

vinci
play

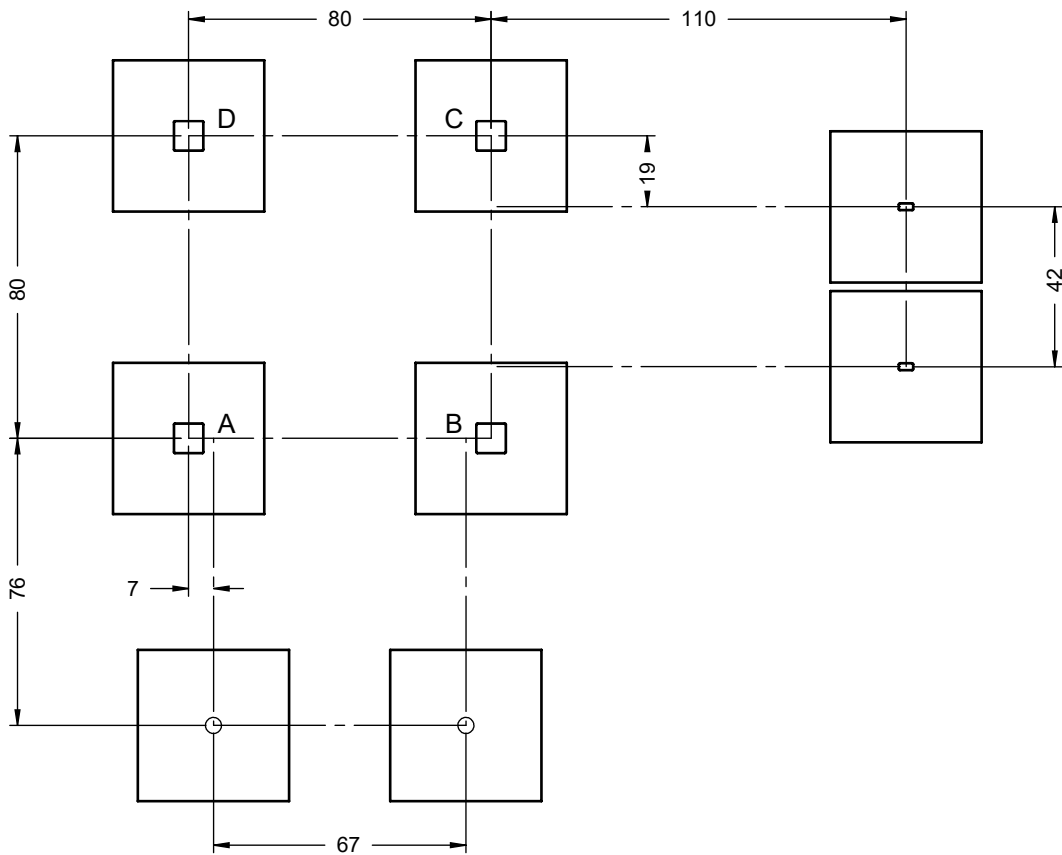
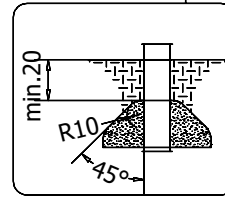
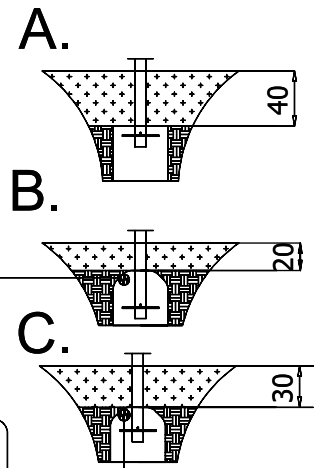
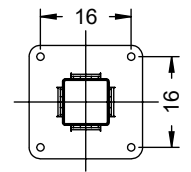


E37



16x M10x120 (K2)	Ø10
18x M10x120 (K3)	
	
NOT INCLUDED	

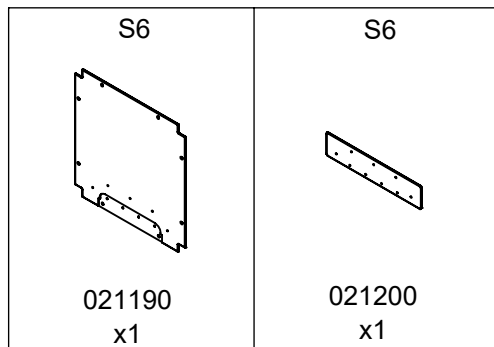
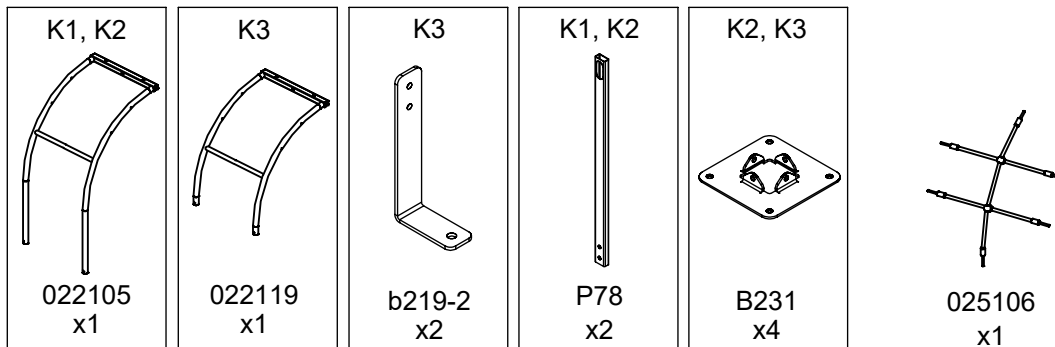
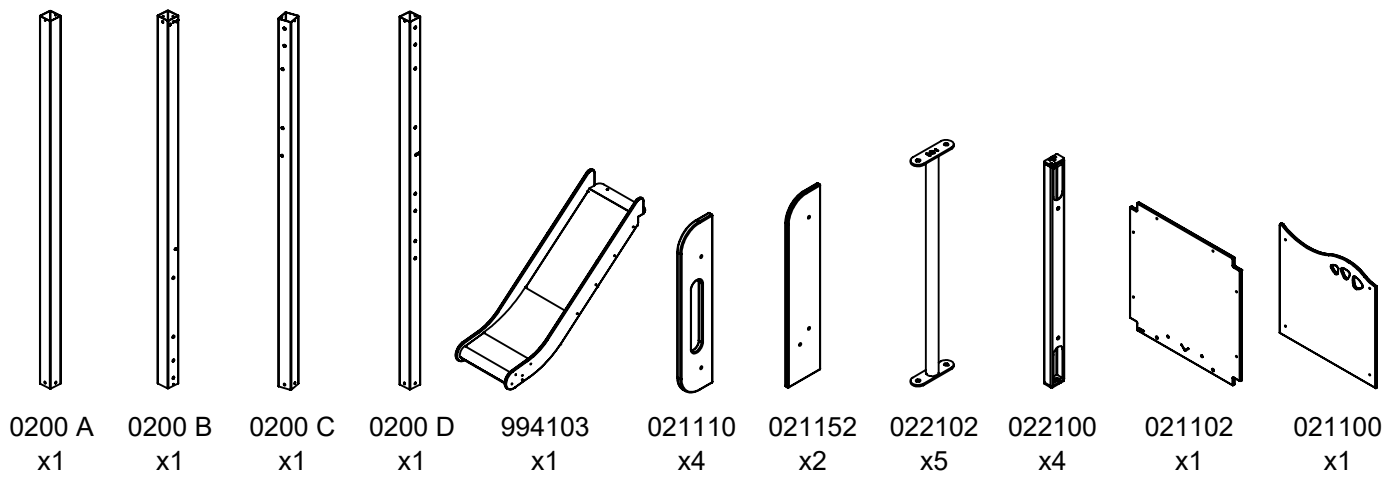
4x M8x120 (K2)	Ø8
2x M8x120 (K3)	
	
NOT INCLUDED	



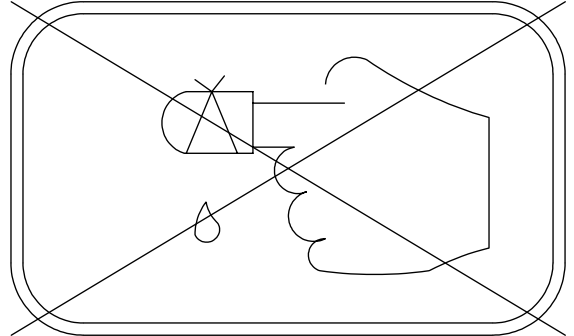
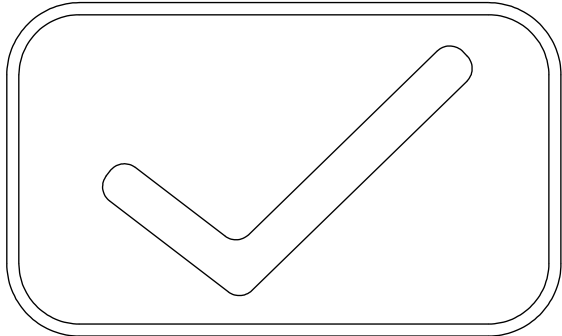
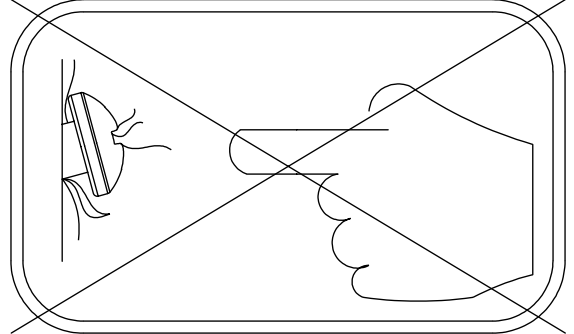
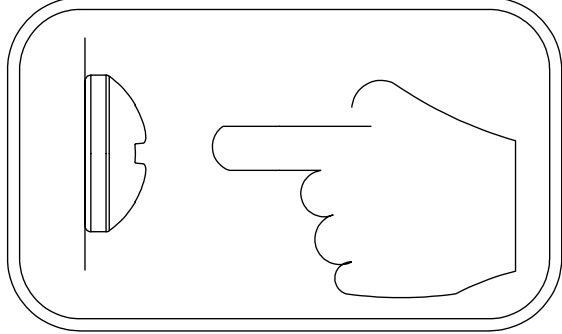
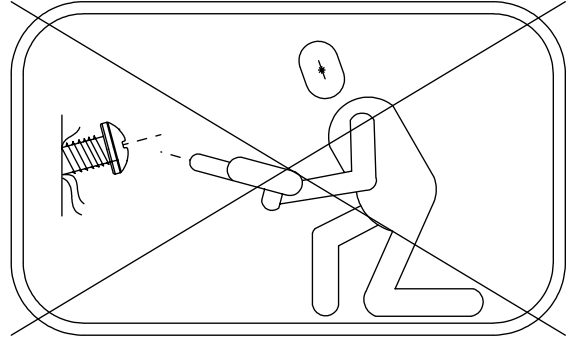
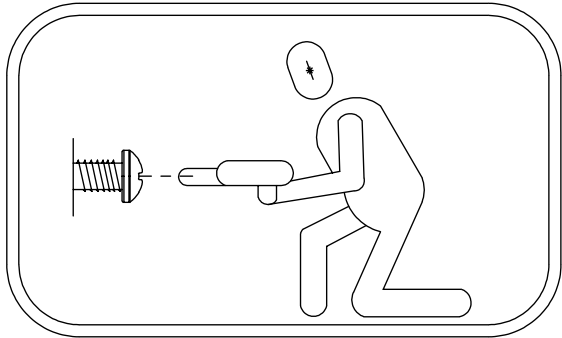
[cm]

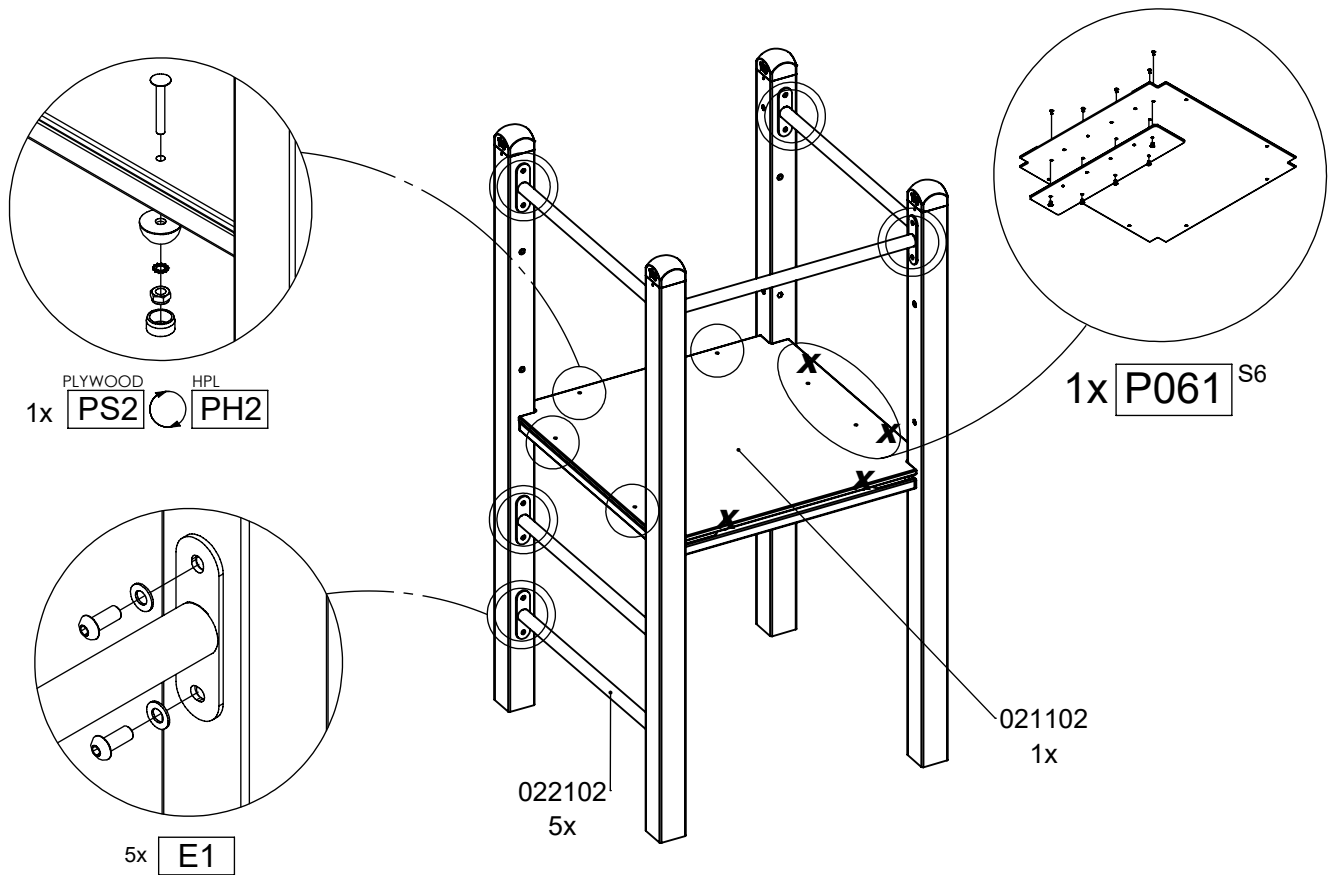
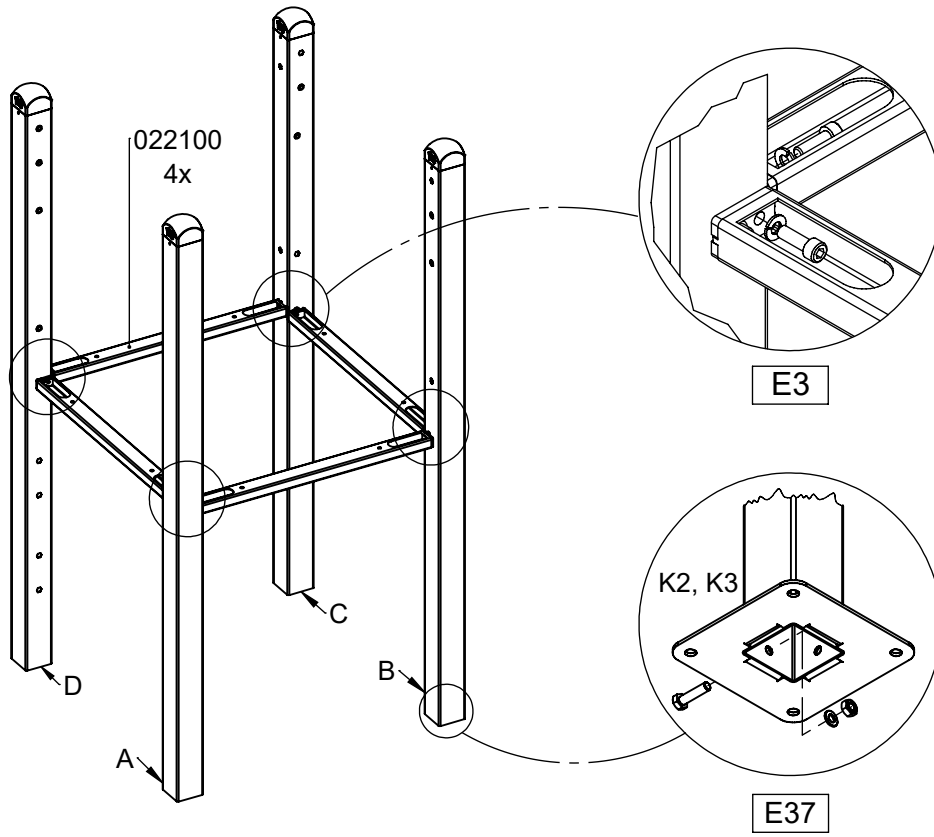
 x2	4h			K1 x8 >0,06m³	K2/K3 x8 >0,02m³	48h 
--	----	---	---	---------------------	------------------------	---

vinci play

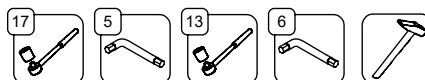


ST/INOX		PLYWOOD / HDPE		HPL	
5x	E1	1x	PS2	1x	PH2
	E37 (K2, K3)	1x	E4	1x	E5
1x	E3	1x	E8 (S1)	1x	E9 (S1)
1x	E34 (K1, K3)	1x	E152 (S6)	1x	E153 (S6)
1x	E35 (K2)	2x	CE1	2x	CL1
1x	E88 (K2, K3)	2x	CE4	2x	CL4
1x	E238	1x	CE31	1x	CL34
1x	V001			1x	P061 (S6)

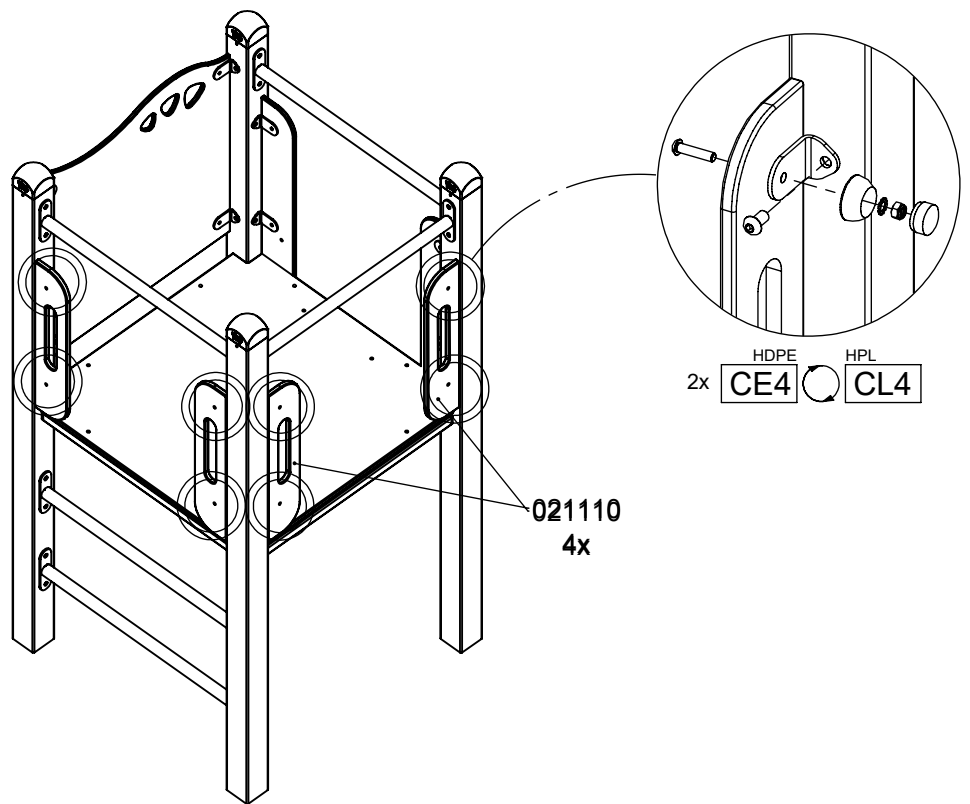
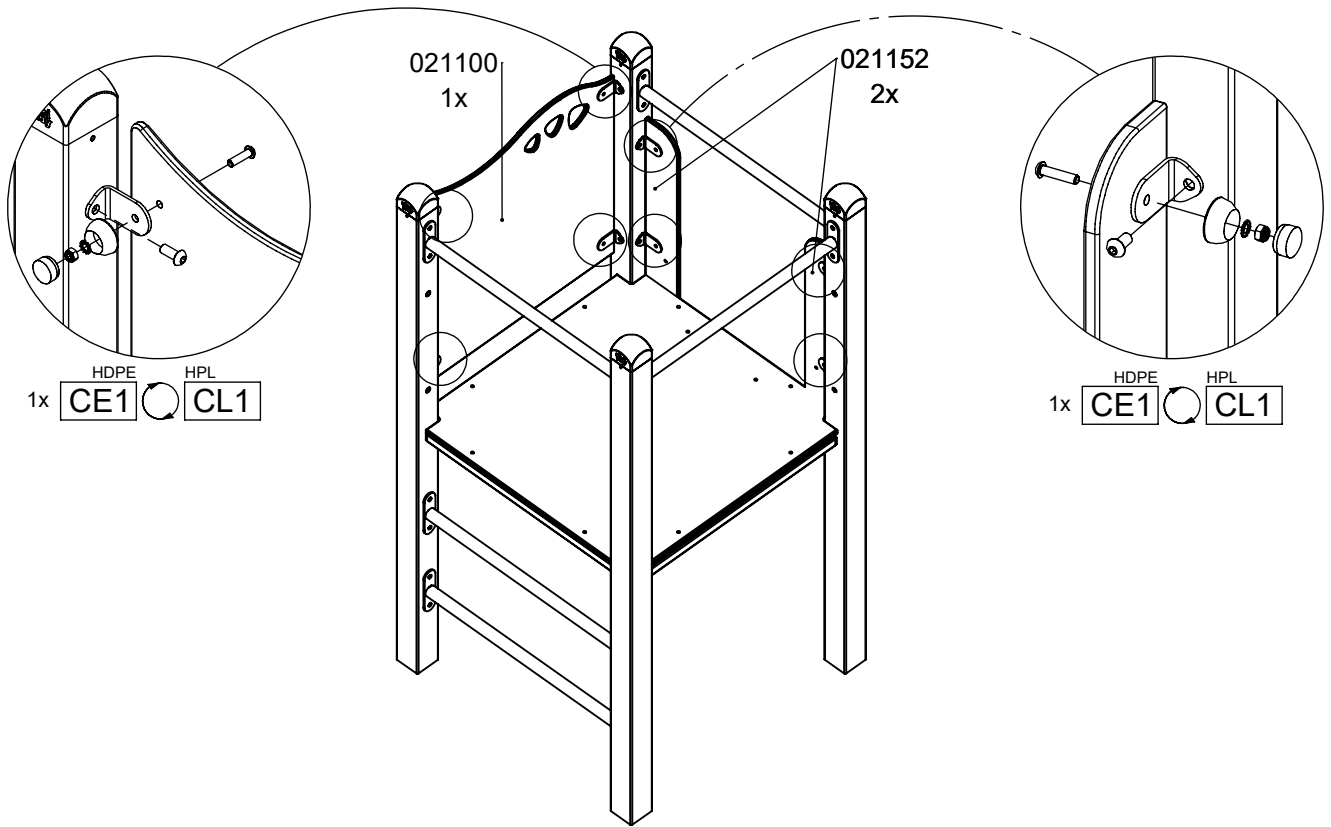




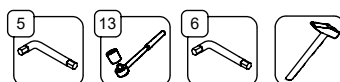
[cm]



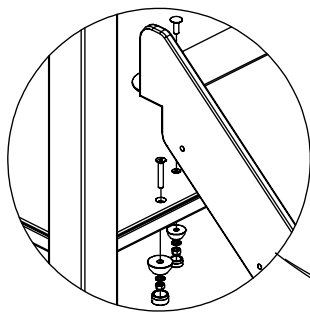
vinci
play



[cm]

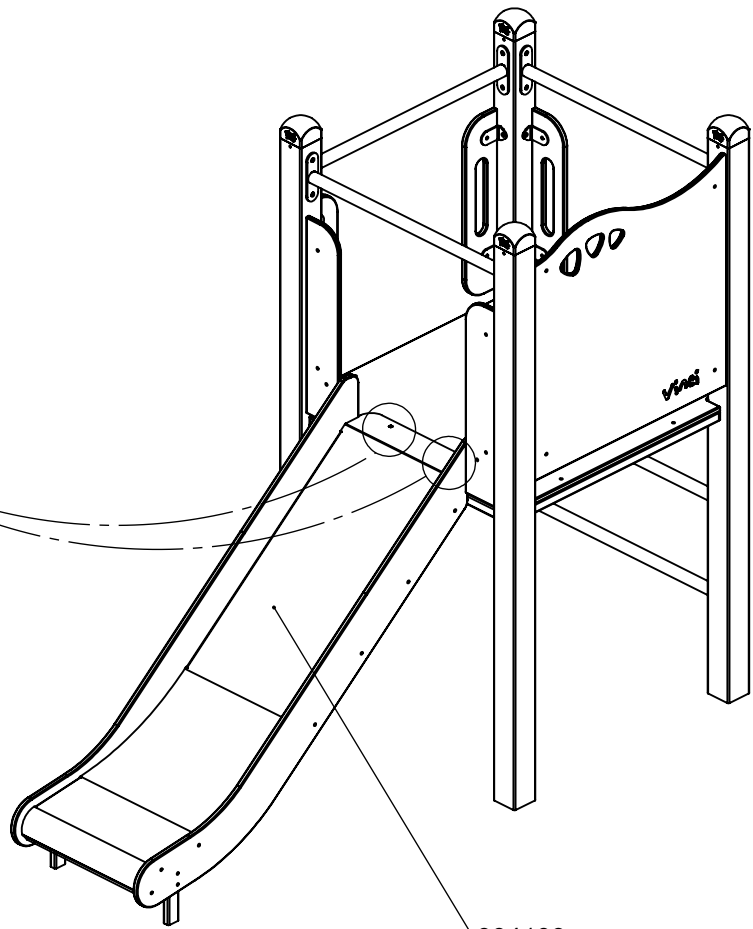


vinci
play

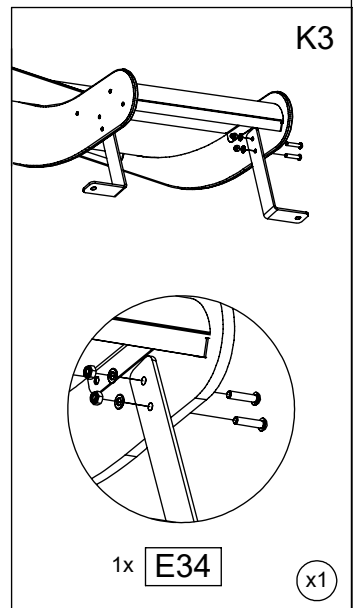
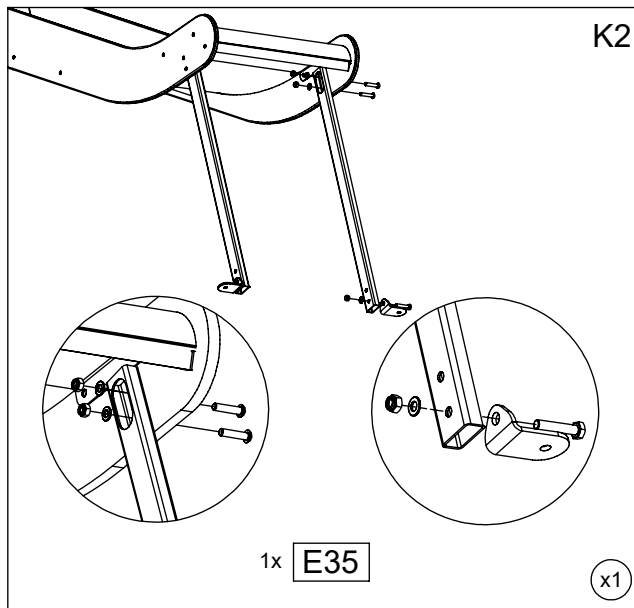
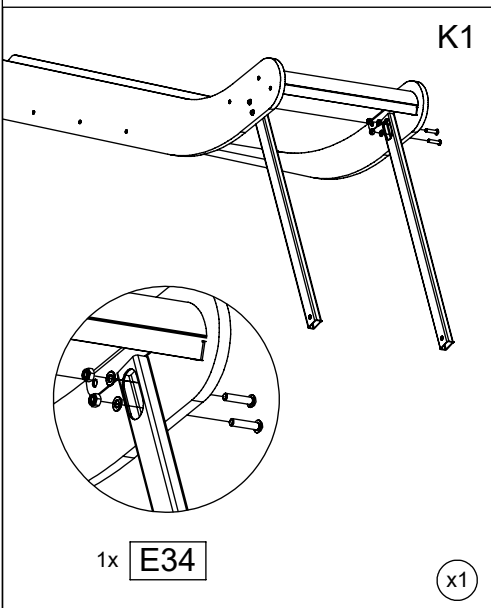


PLYWOOD HPL
1x **E8** **S1** **E9**

PLYWOOD HPL
1x **E152** **S6** **E153**



994103
1x

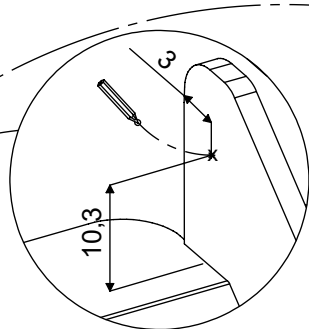
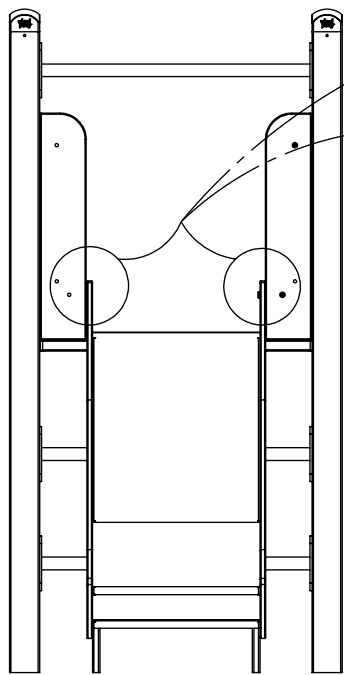


[cm]

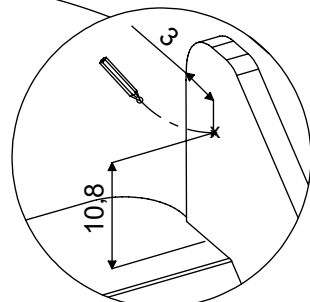


vinci
play

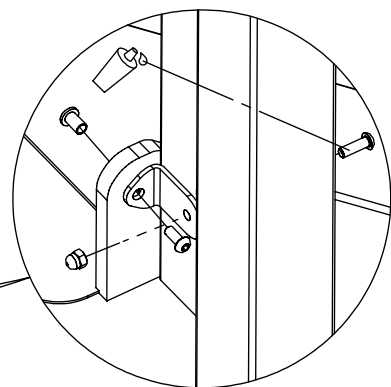
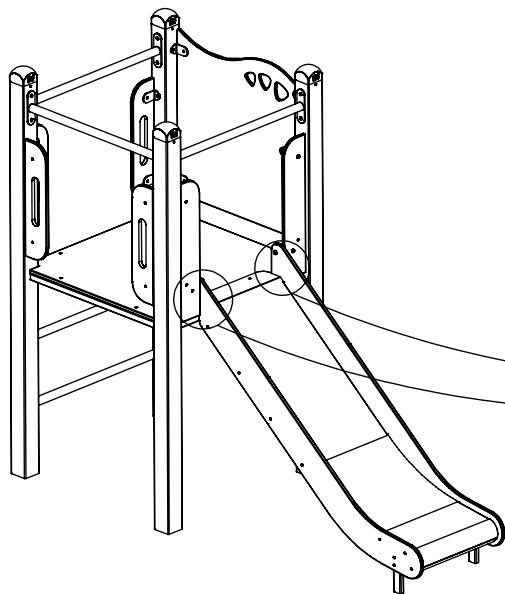
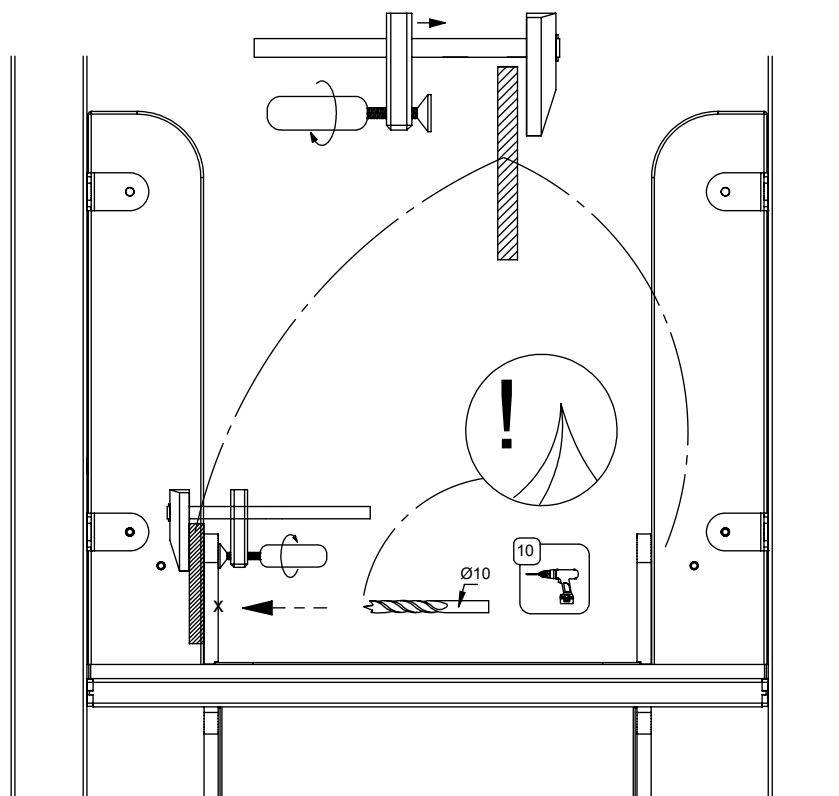
1x



PLYWOOD

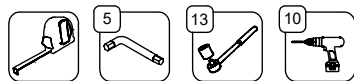


HPL



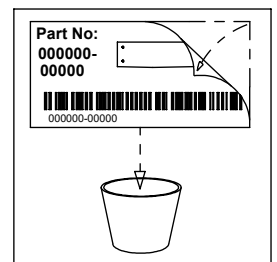
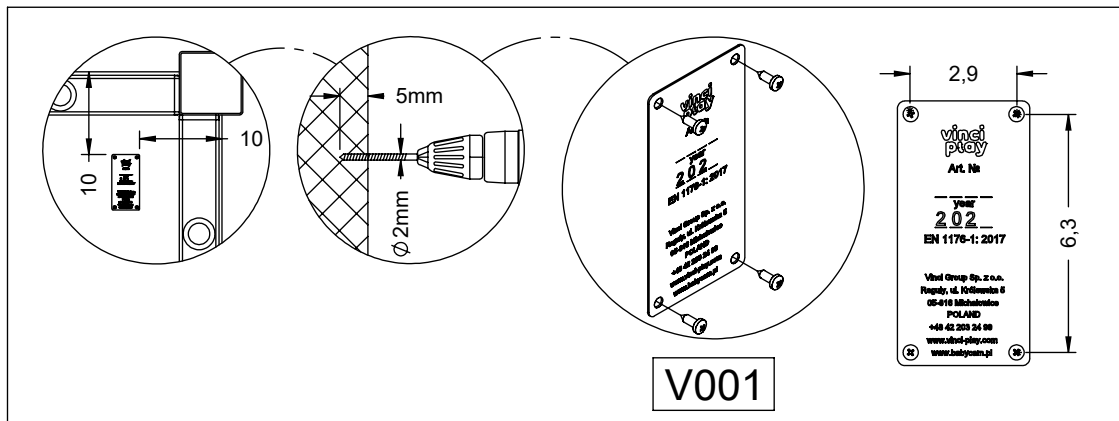
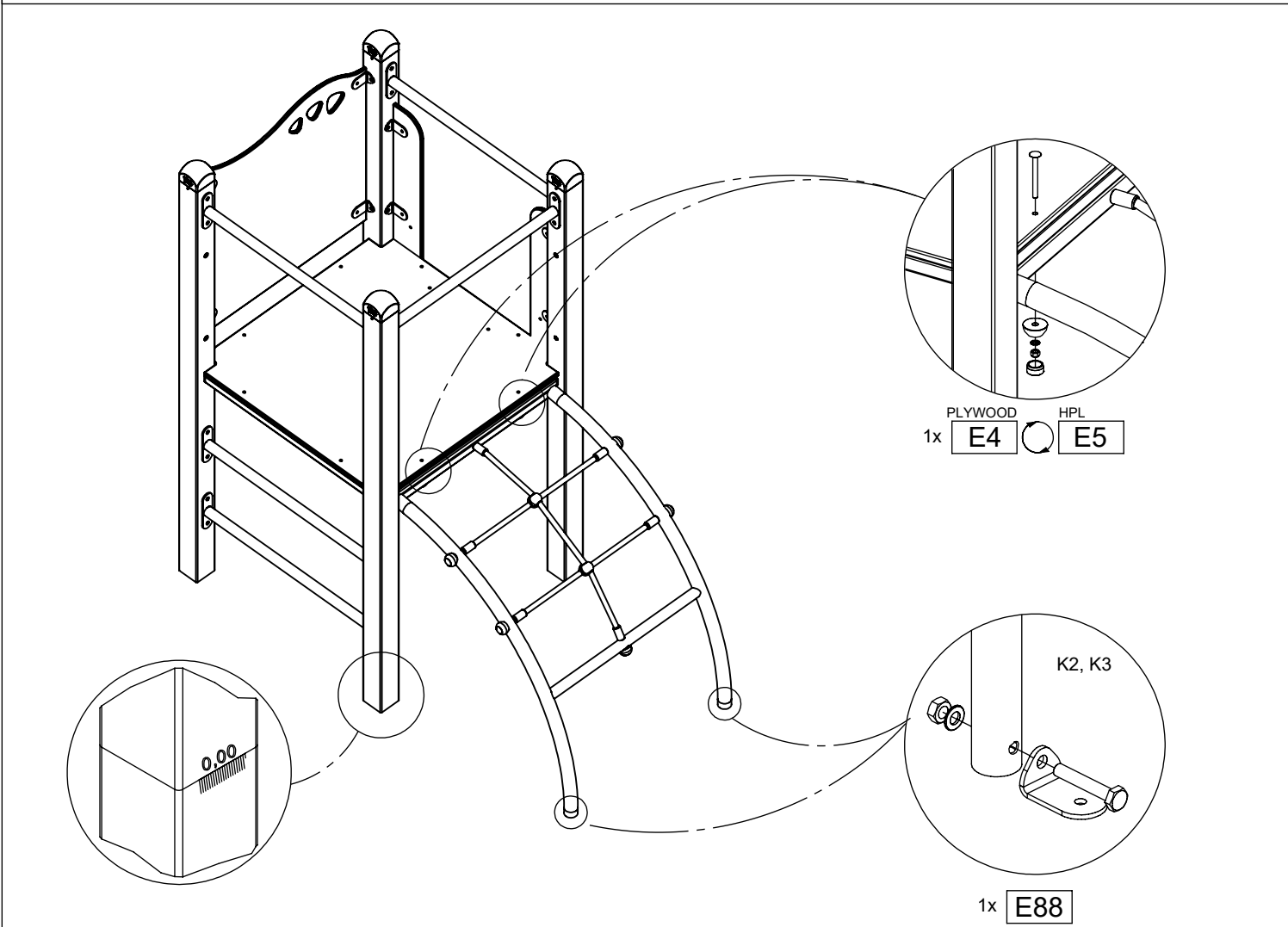
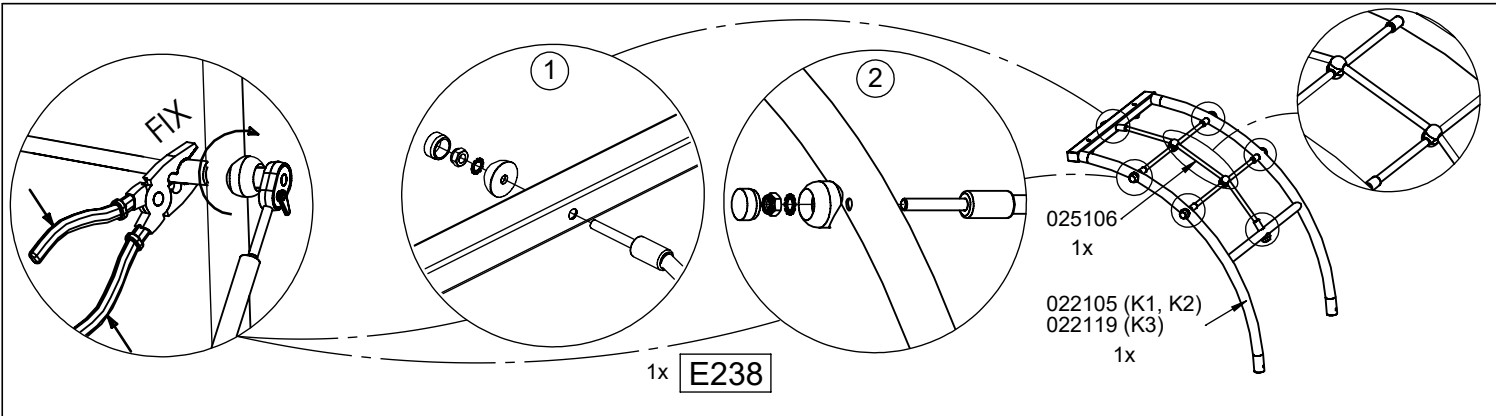
1x

HDPE	HPL
CE31	CL31



[cm]

vinci play



[cm]



vinci
play