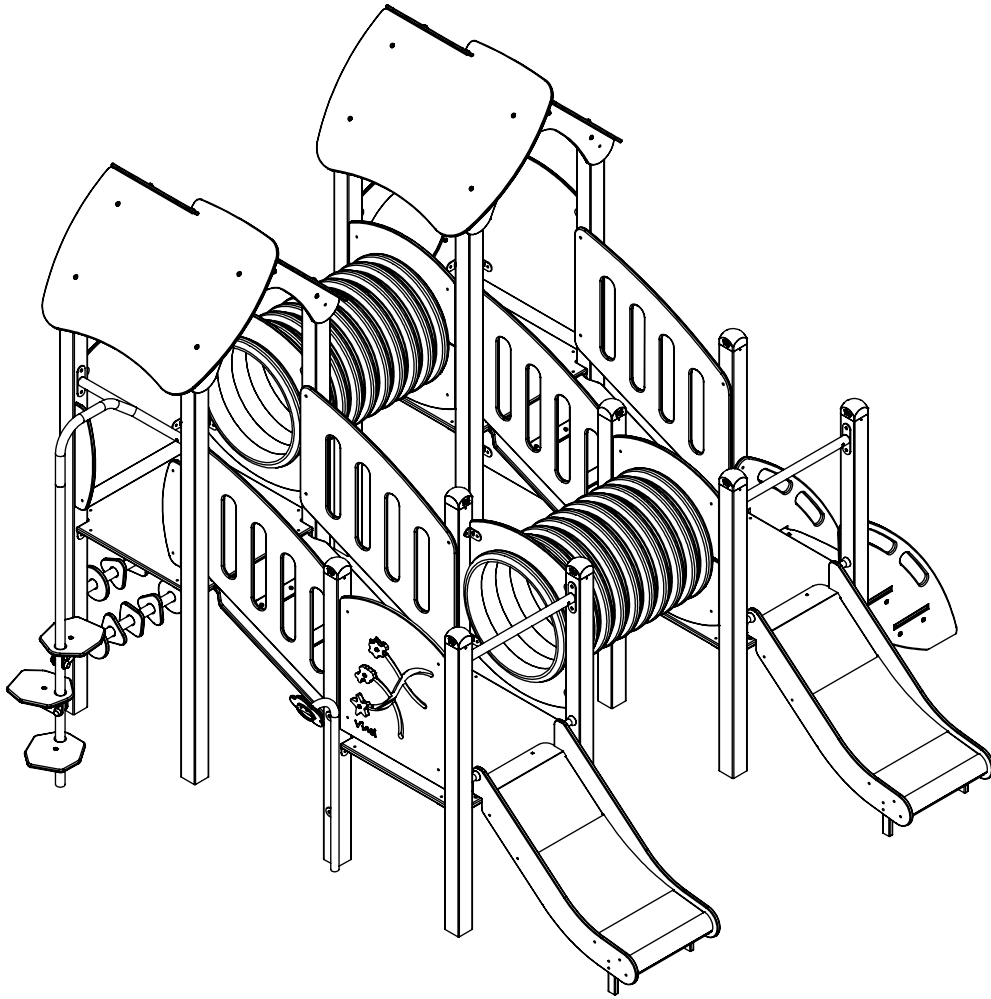
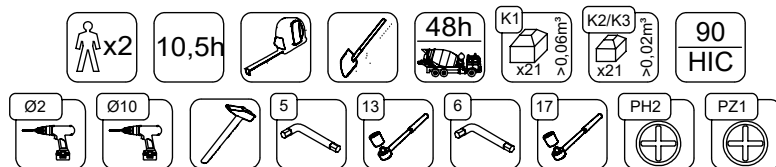


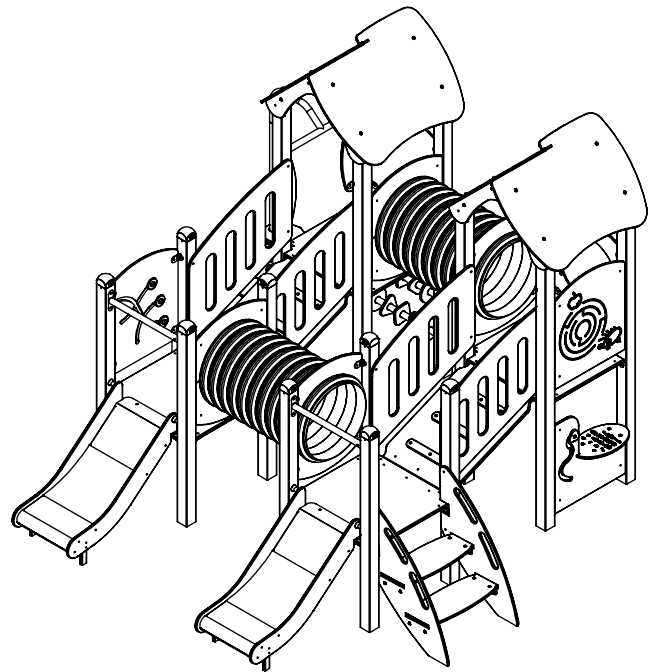
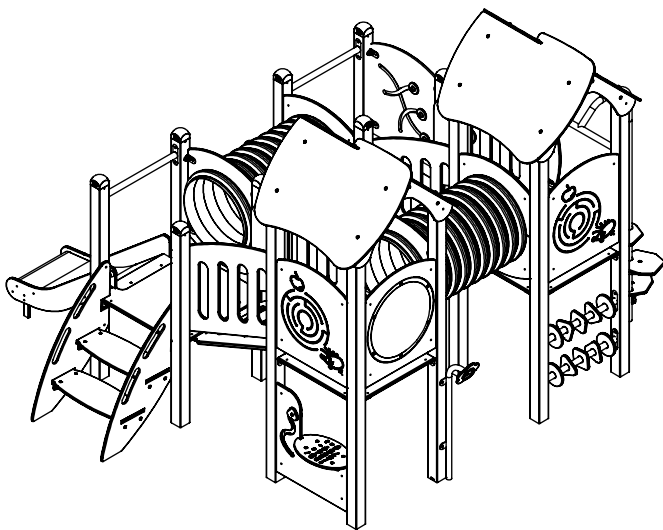
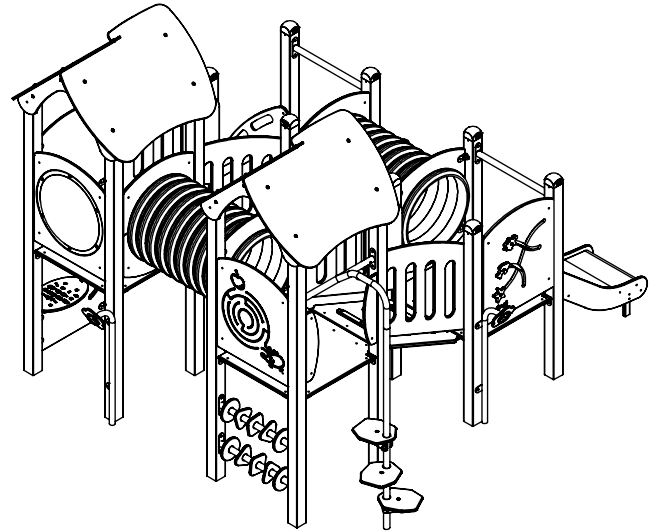
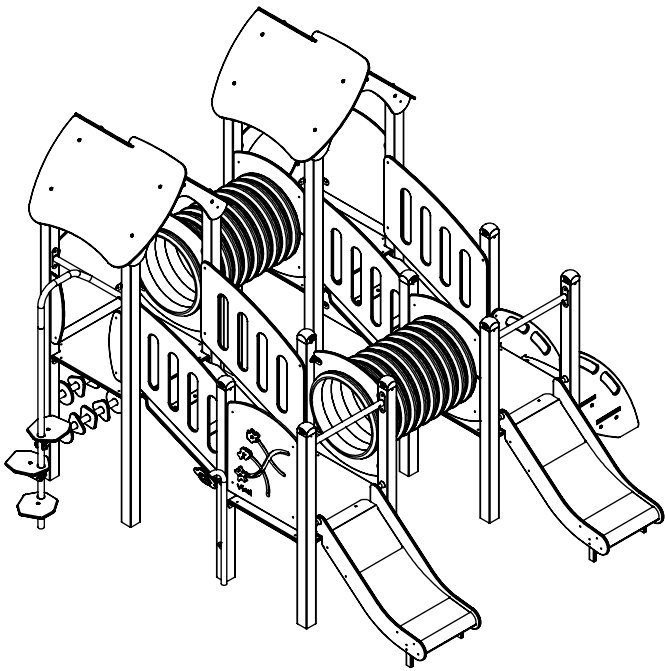
# 0114



v012  
01.02.2022  
A. D.  
[cm]

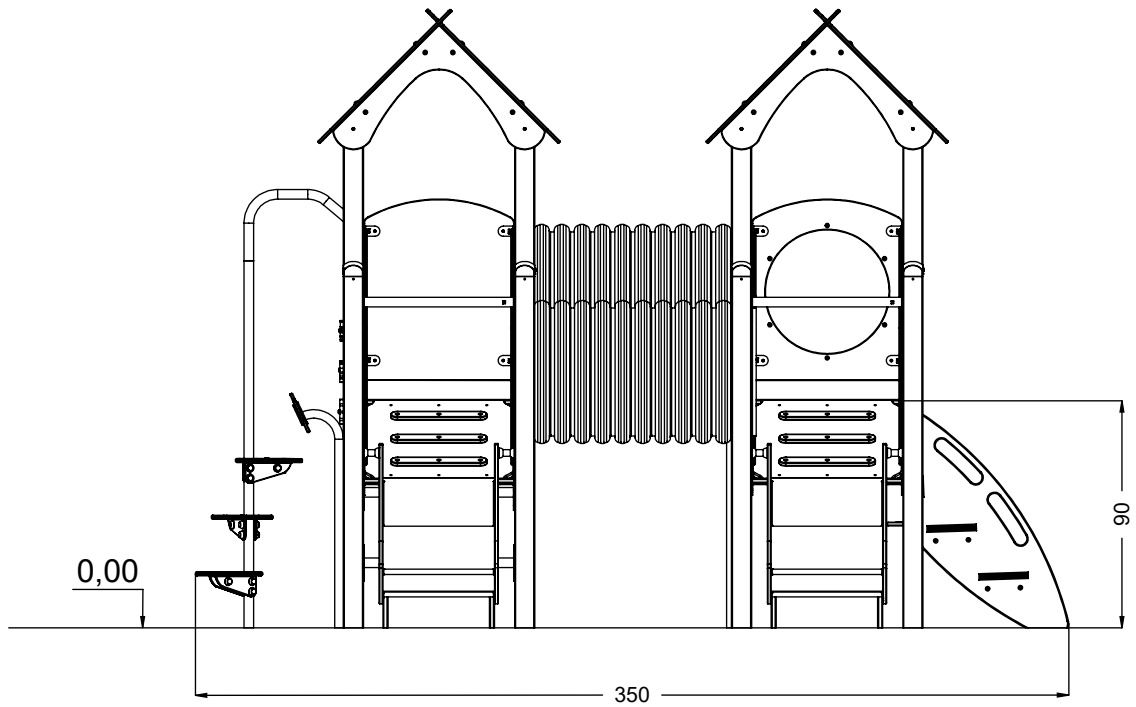
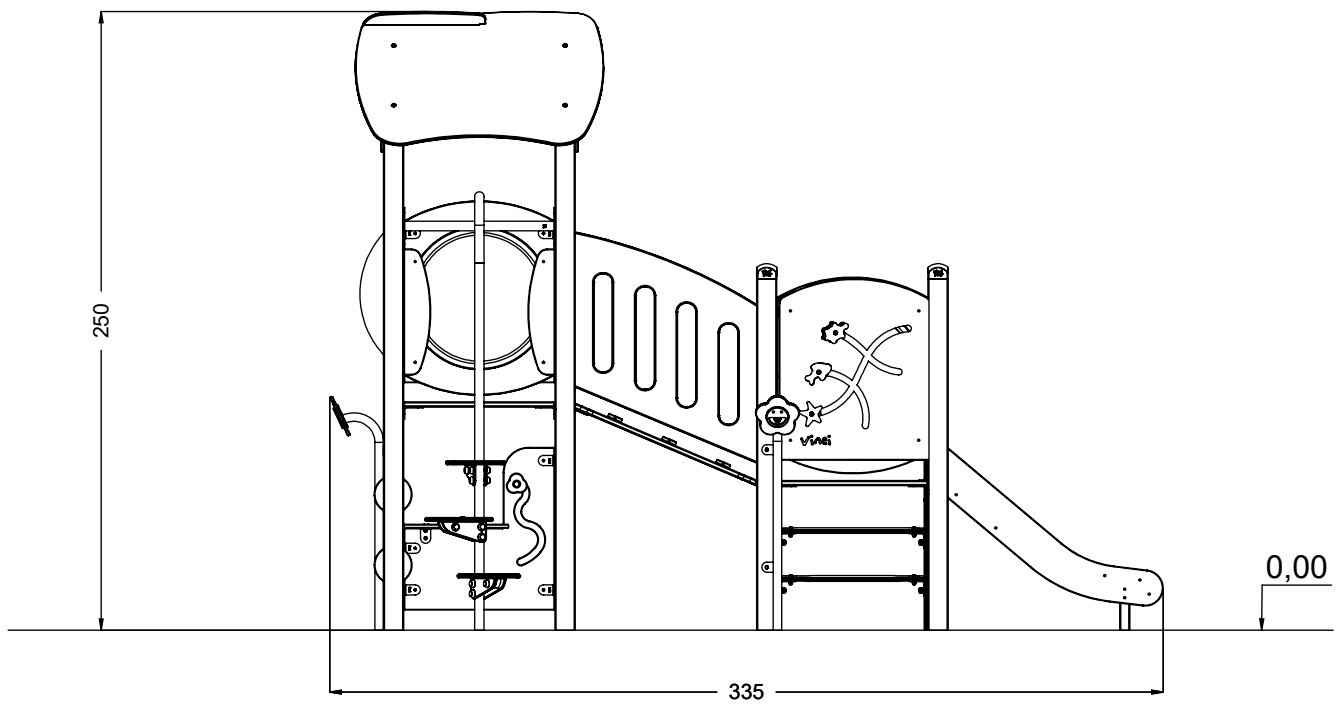


vinci  
play



[cm]

vinci  
play

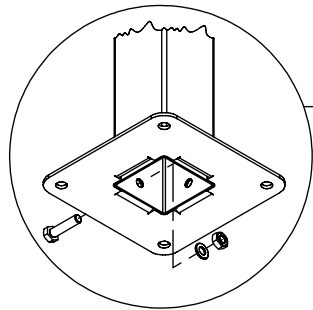
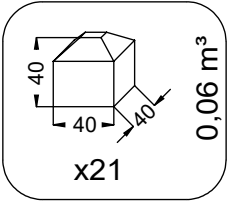
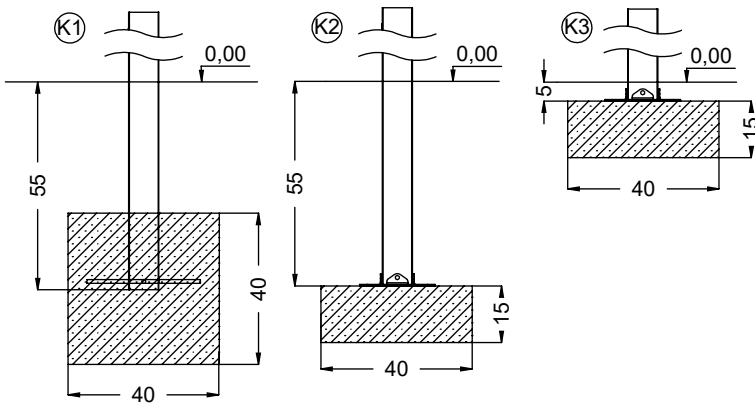


[cm]

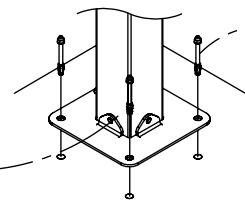




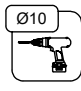



vinci  
play

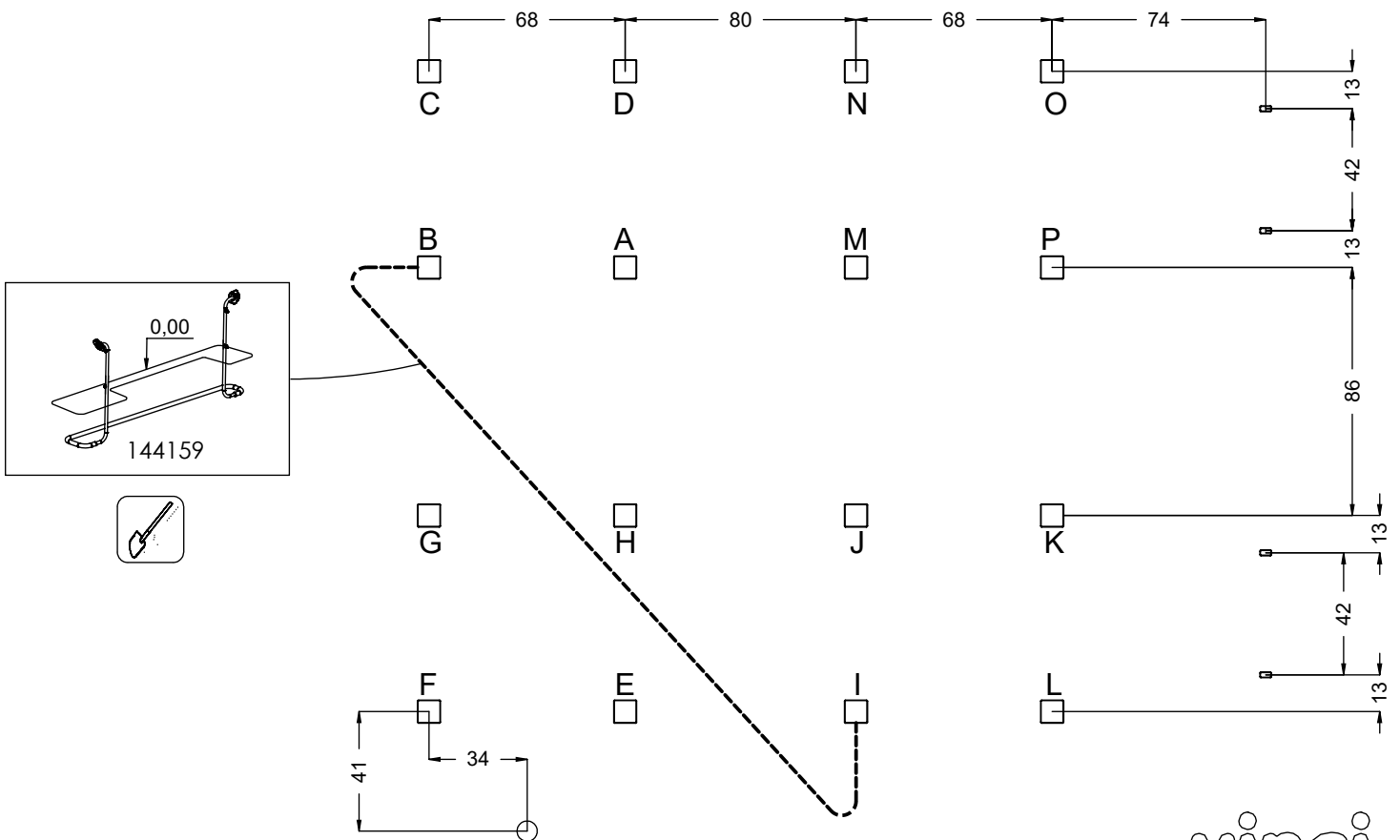
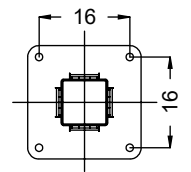
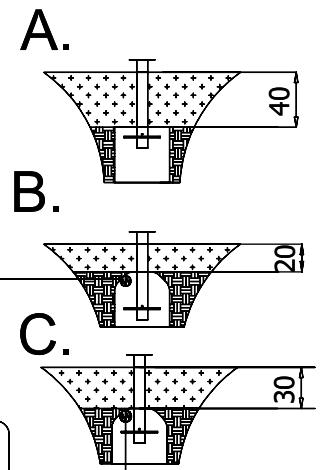
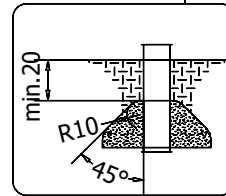




E37



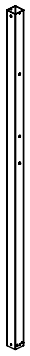
64x M10x120 (K2)	6x M8x120 (K2)
68x M10x120 (K3)	2x M8x120 (K3)
	
	
<b>NOT INCLUDED</b> 	<b>NOT INCLUDED</b> 



[cm]

 x2	10,5h			48h	 K1 x21 >0,06m³	 K2/K3 x21 >0,02m³
--	-------	---	---	-----	--	--

vinci play



114A  
x1



114B  
x1



114C  
x1



114D  
x1



114E  
x1



114F  
x1



114G  
x1



114H  
x1



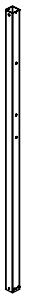
114I  
x1



114J  
x1



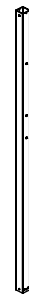
114K  
x1



114L  
x1



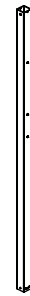
114M  
x1



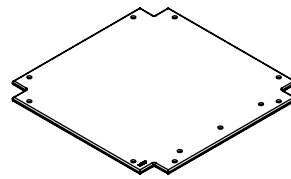
114N  
x1



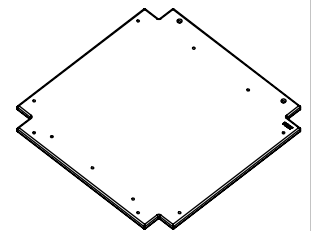
114O  
x1



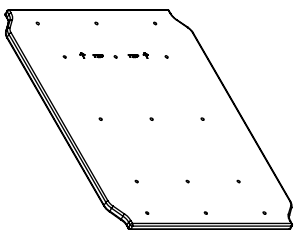
114P  
x1



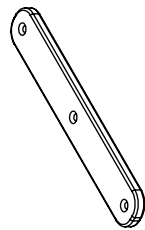
011229  
x2



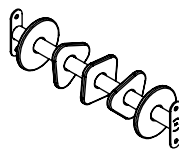
011238  
x2



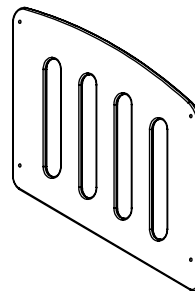
011251  
x2



011114  
x6



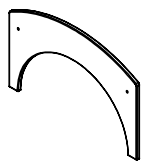
014107  
x2



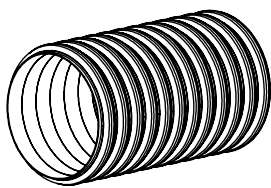
011133  
x4



011101  
x2



011150  
x8



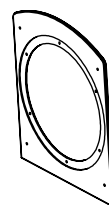
996132  
x2



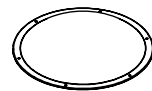
991127  
x3



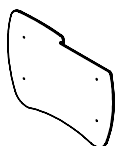
011111  
x1



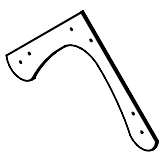
011109  
x1



996184  
x1



011143  
x4



011119  
x4



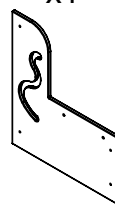
011142  
x2



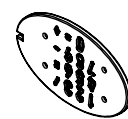
011129  
x2



011126  
x2



011122  
x1



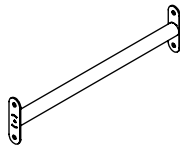
011154  
x1



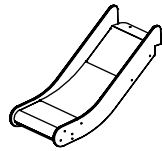
142121  
x2



996115  
x1

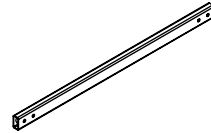


012101  
x2



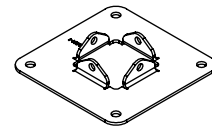
994146  
x2

K1,K2



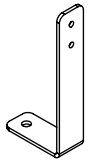
p78  
x4

K2,K3



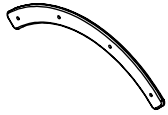
b231  
x16

K3



b19-2  
x4

HPL



991241  
x8

K1,K2



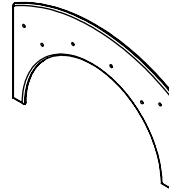
012104  
x1

K3



012105  
x1

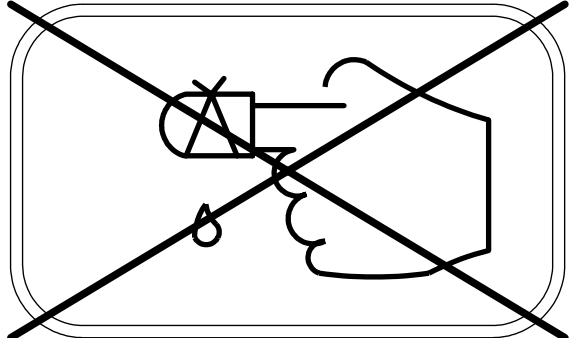
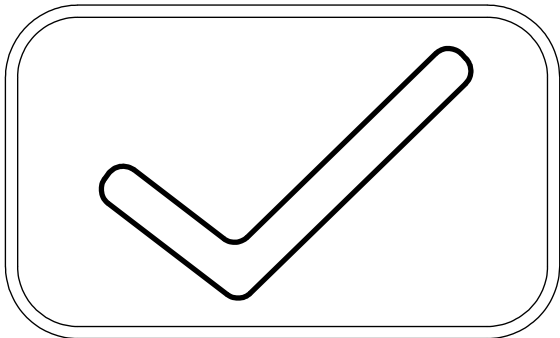
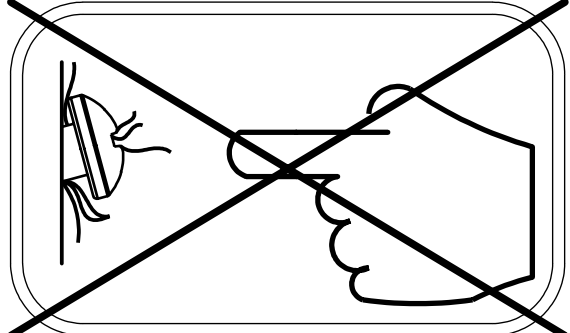
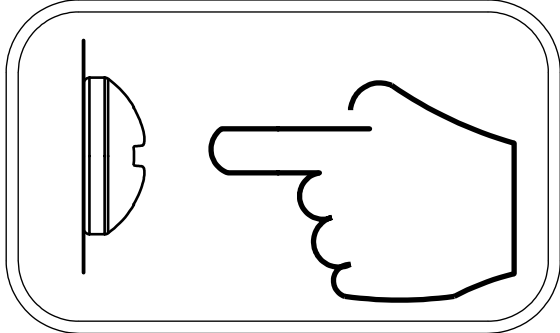
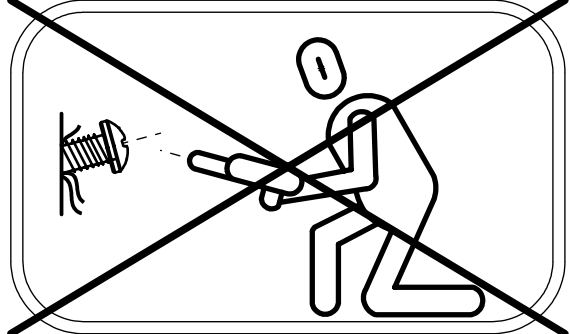
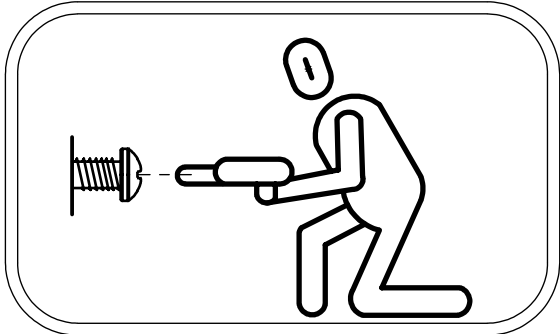
HPL



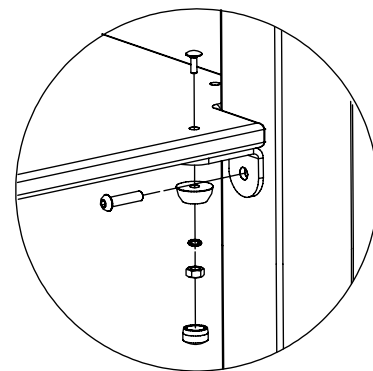
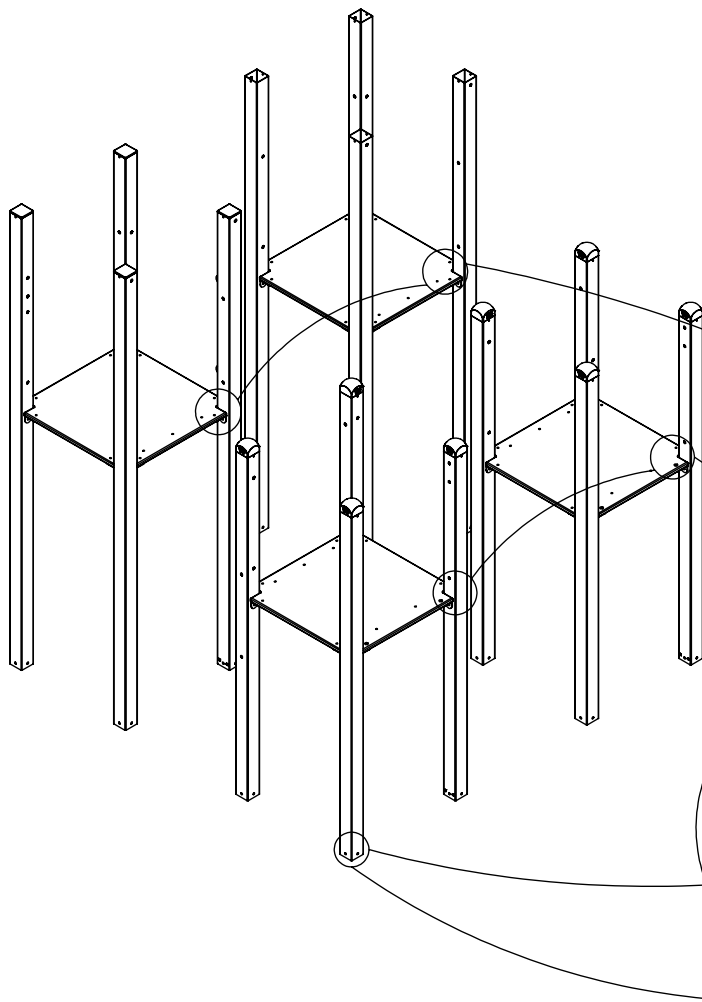
011280  
x8

	HDPE	HPL	ST/INOX
3x	CE1	CL1	
2x	CE3	CL3	
7x	CE4	CL4	
1x	CE6	CL6	
1x	CE7	CL7	
1x	CE8	CL8	
1x	CE9	CL9	
1x	CE17	CL17	
2x	CE93	CL93	
2x	CE111	CL111	
2x	CE112	CL112	
5x			E1
2x			E14
2x			E34 <sup>K1,K3</sup>
2x			E35 <sup>K2</sup>
			E37 <sup>K2,K3</sup>
1x			E38 <sup>K2,K3</sup>
4x		E130	
3x			WD67
3x			WD68
1x			Z15
1x			V001

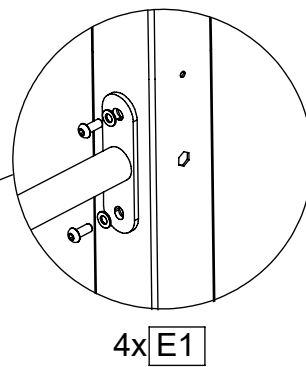
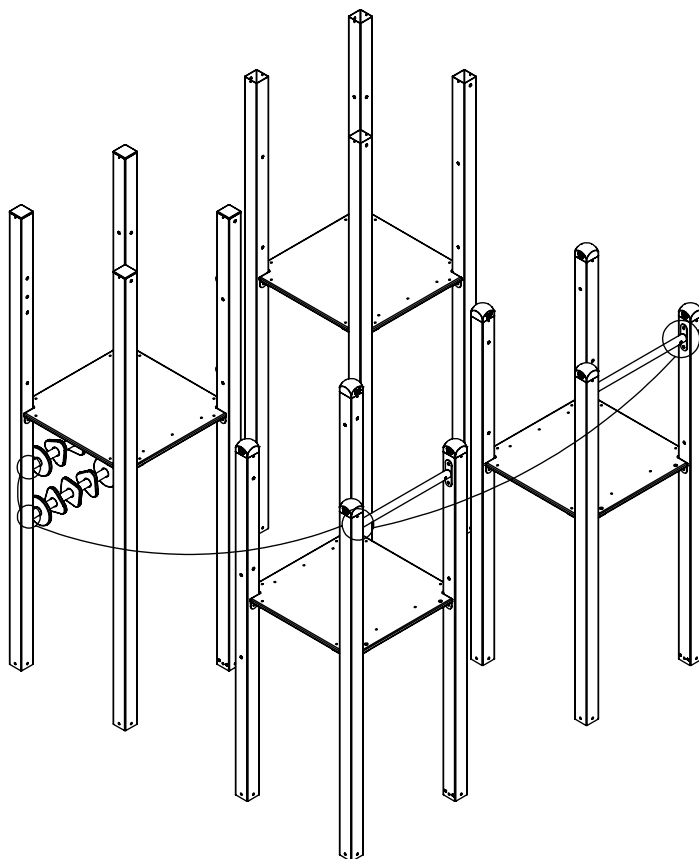
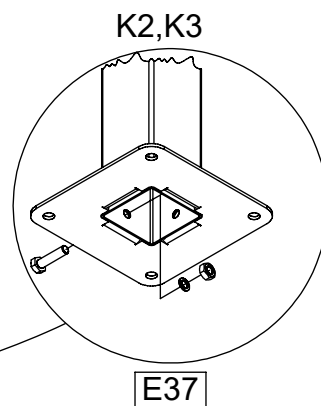
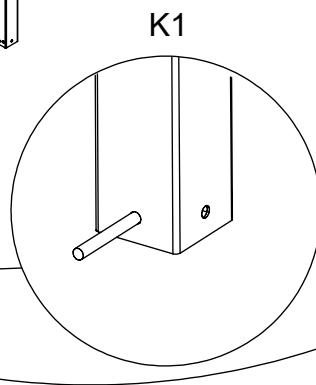
	PLYWOOD	HPL
2x	PS9	PH9
2x	PS11	PH11
2x	PS12	PH12
2x	PS19 <sup>S1</sup>	PH19 <sup>S1</sup>
2x	PS41 <sup>S6</sup>	PH41 <sup>S6</sup>







PLYWOOD    HPL  
 2x **PS11**    **PH11**  
 PLYWOOD    HPL  
 2x **PS9**    **PH9**

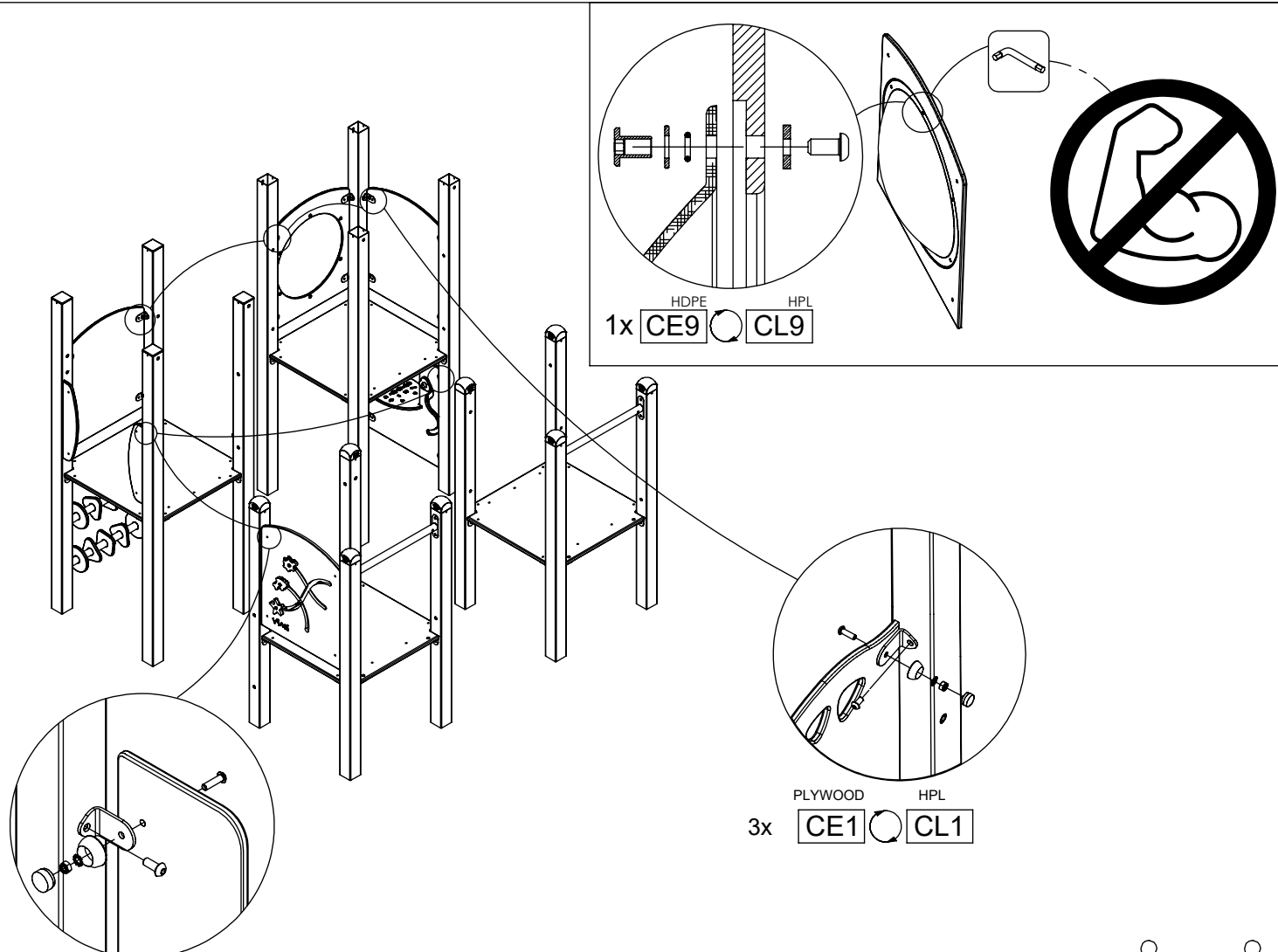
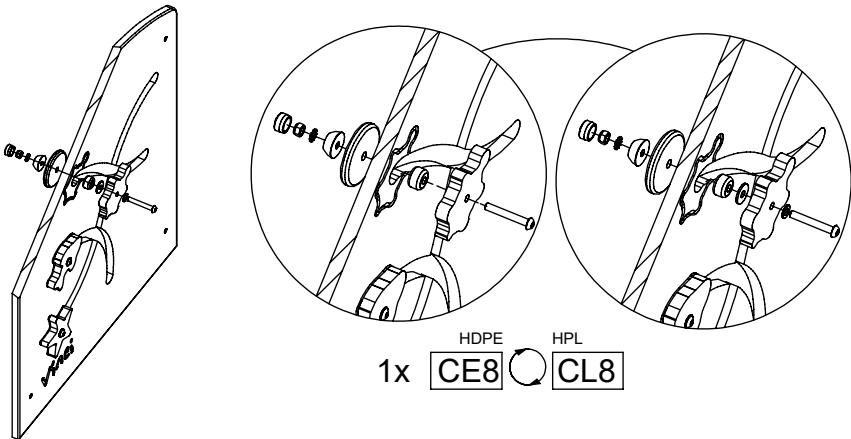
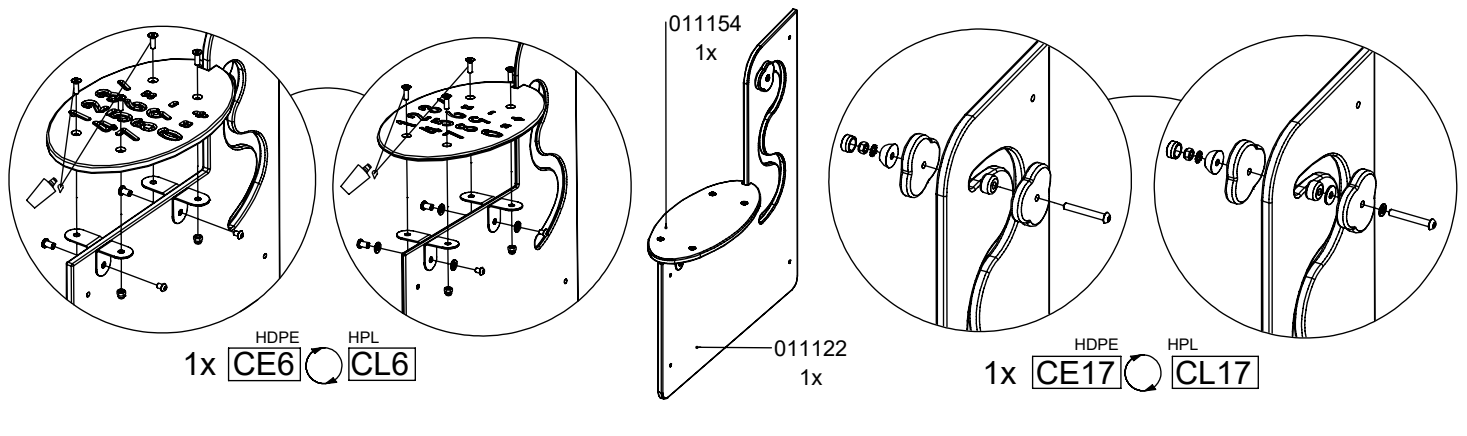


4x **E1**

[cm]



vinci  
play

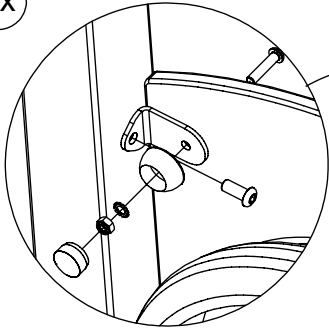


3x HDPE CE4  
3x HPL CL4



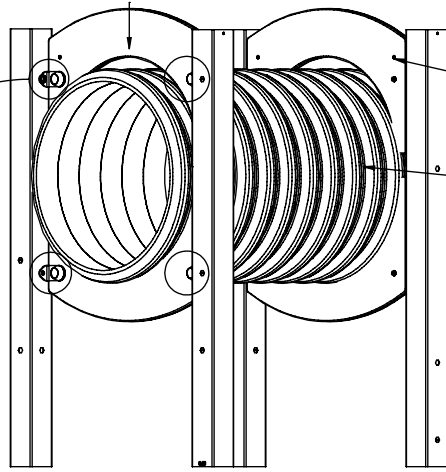
vinci  
play

2x

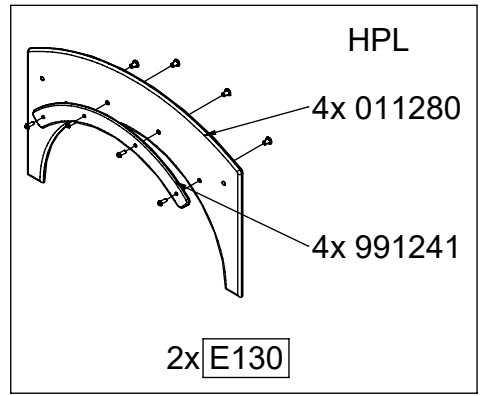


HDPE HPL

2x **CE4** **CL4**



011150  
4x  
996132



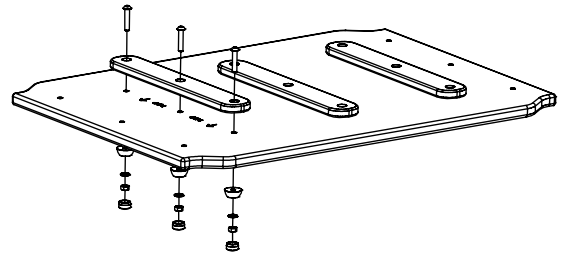
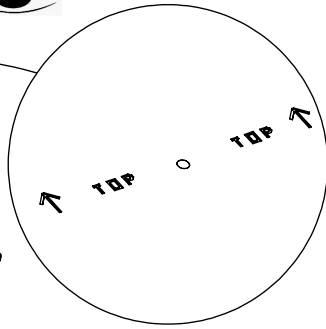
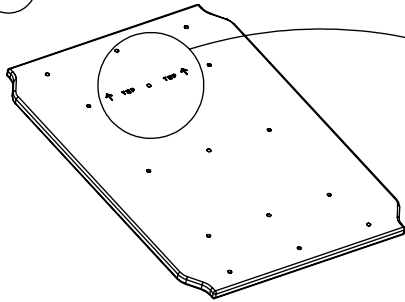
HPL

4x 011280

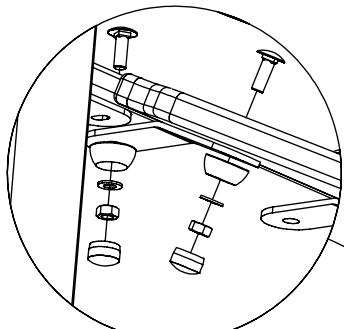
4x 991241

2x **E130**

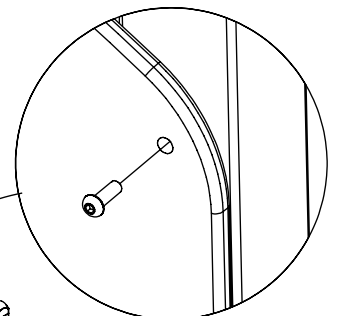
2x



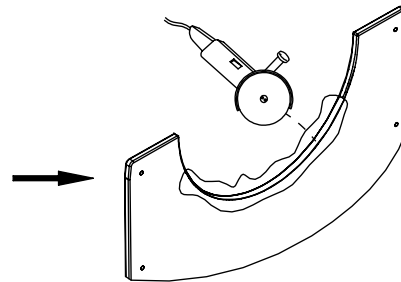
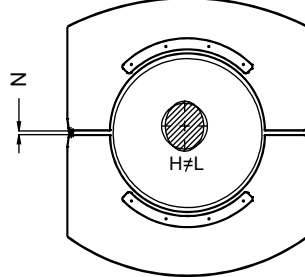
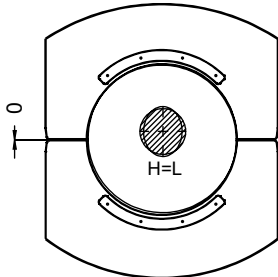
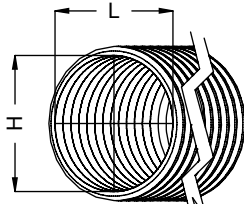
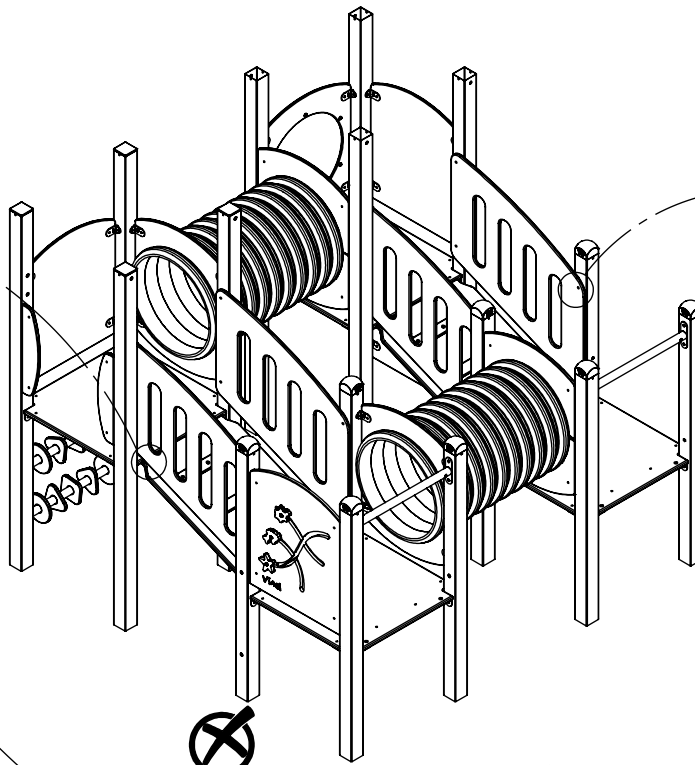
PLYWOOD **PS12** HPL **PH12**



2x PLYWOOD **PS12** HPL **PH12**



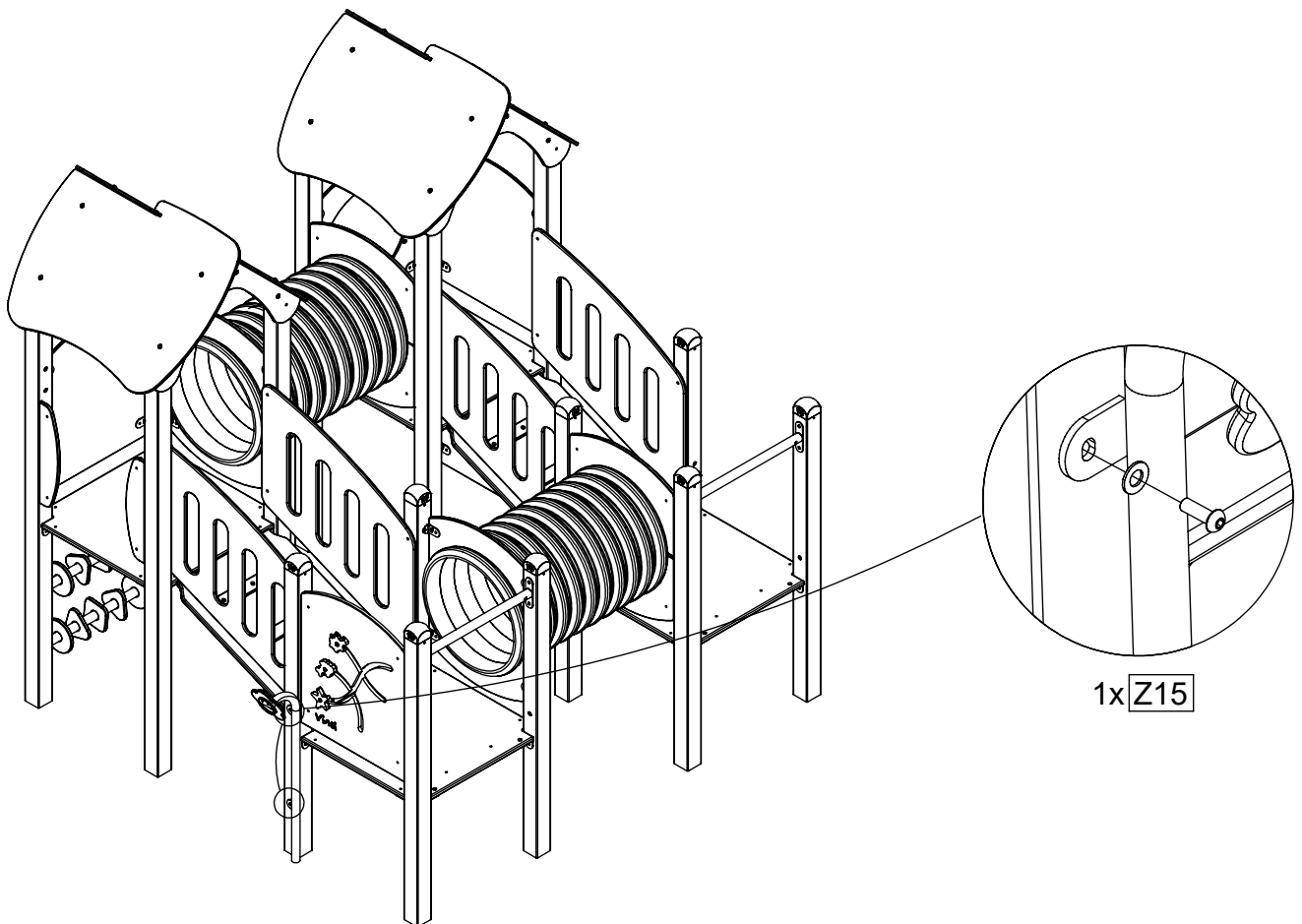
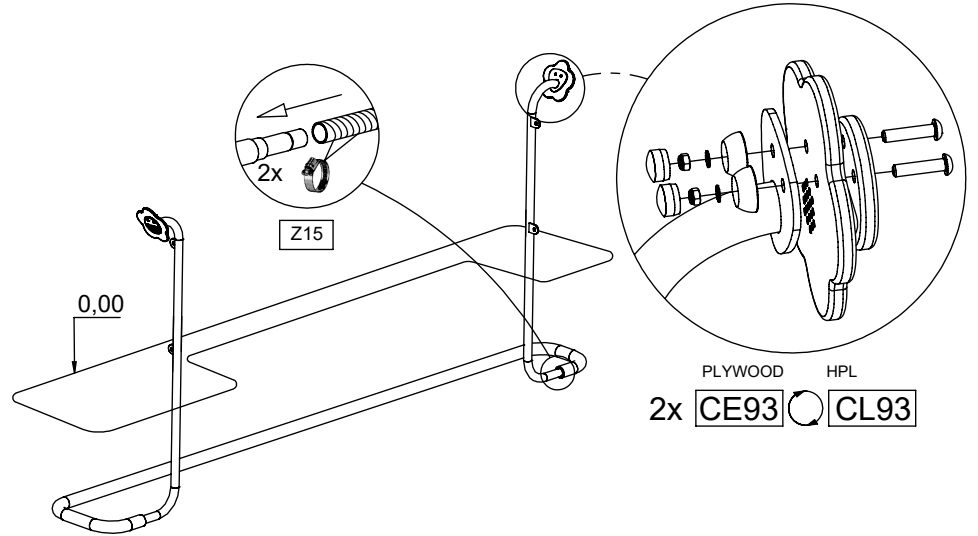
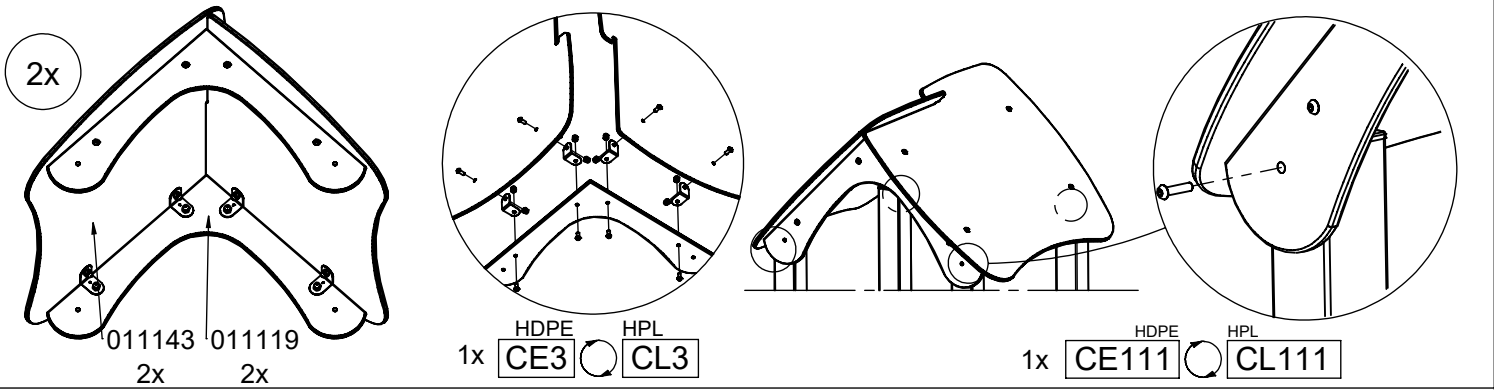
2x **E14**



[cm]



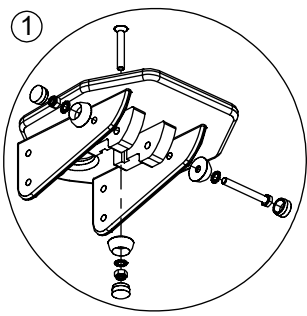
vinci play



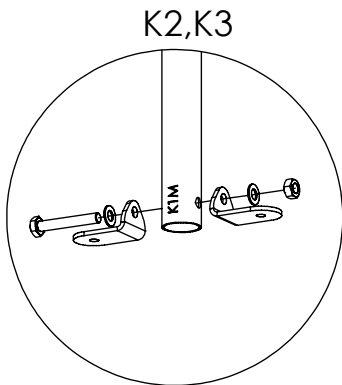
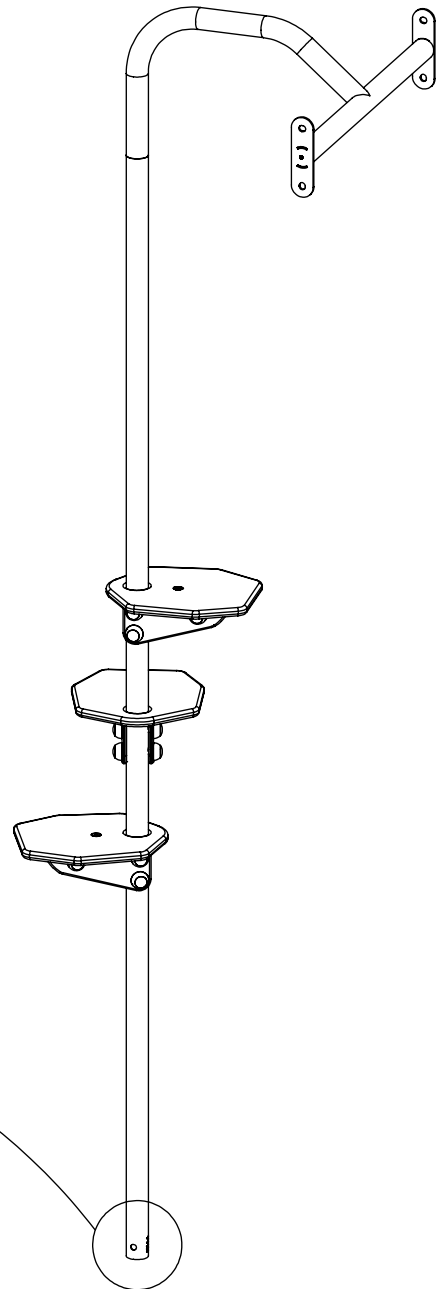
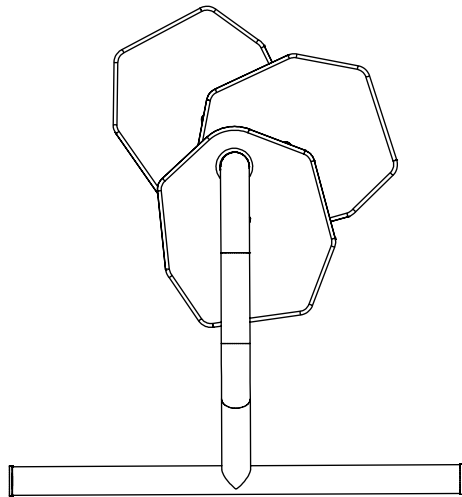
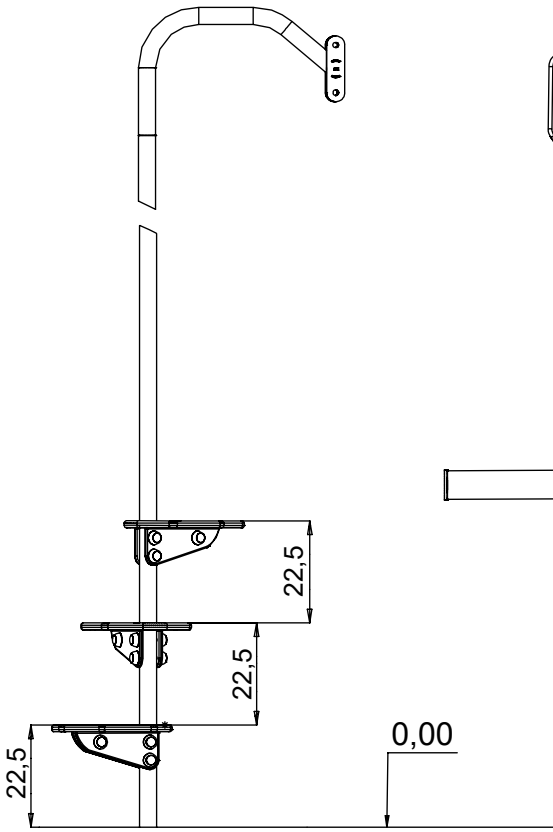
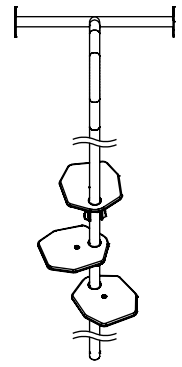
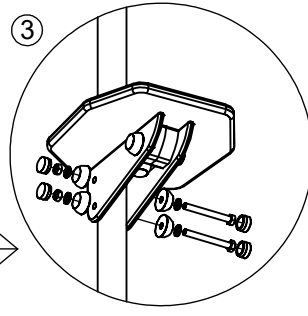
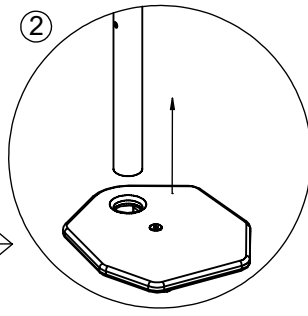
[cm]



vinci  
play

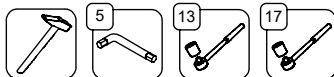


WD67 WD68

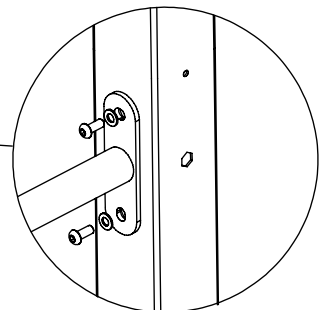
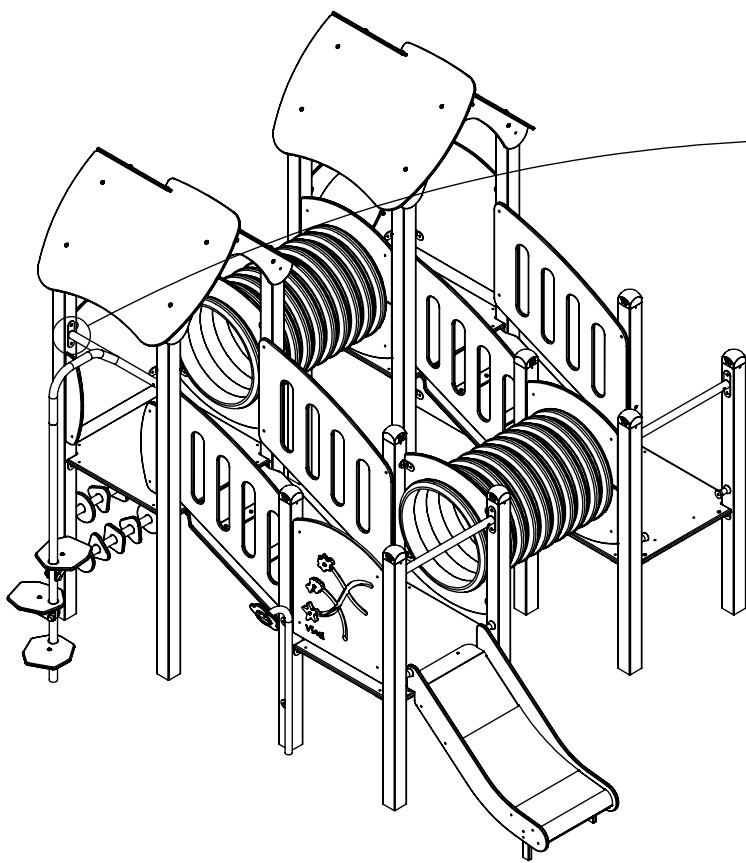


1 x E38

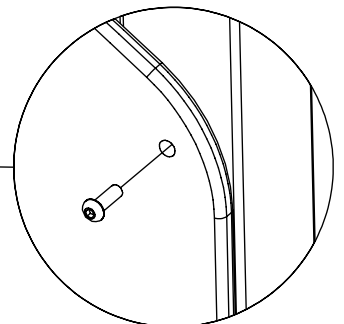
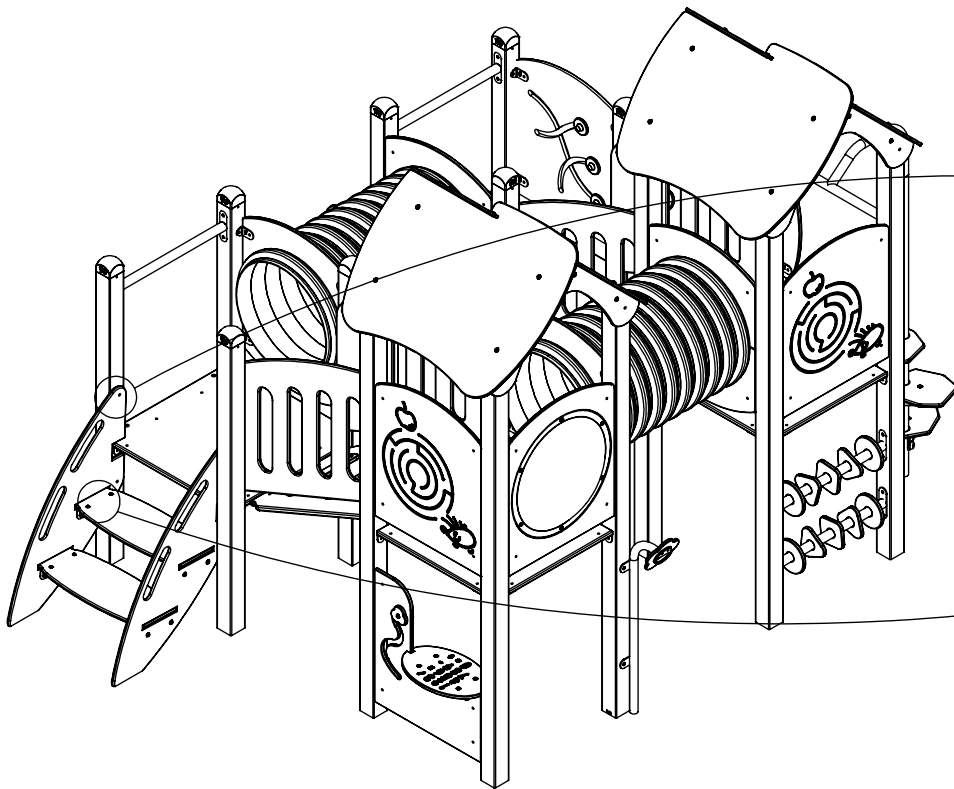
[cm]



vinci  
play

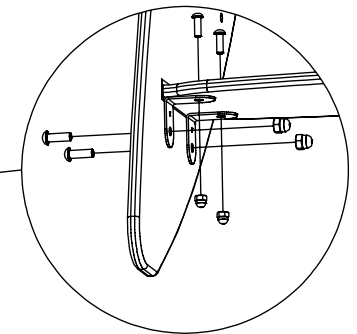


1x E1



PLYWOOD  
1x CE7

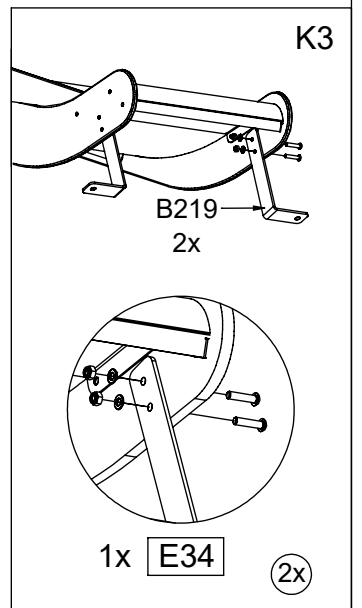
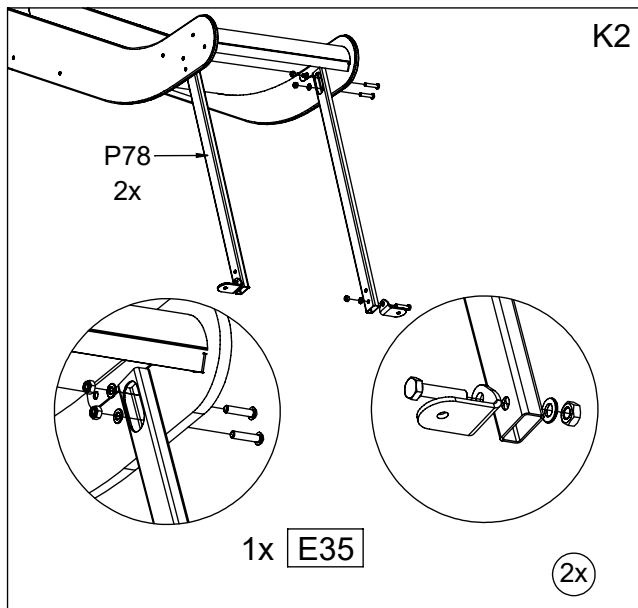
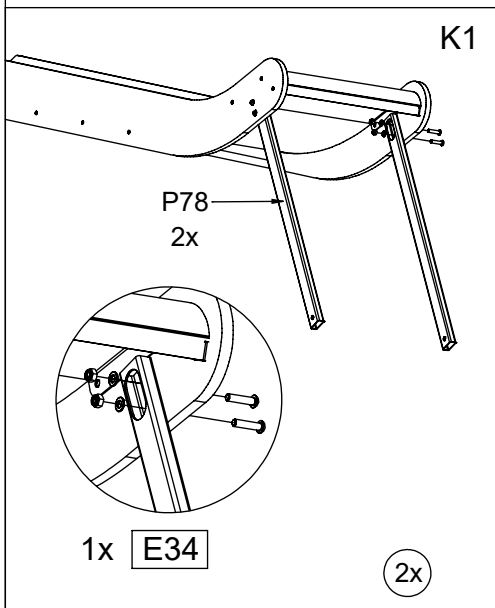
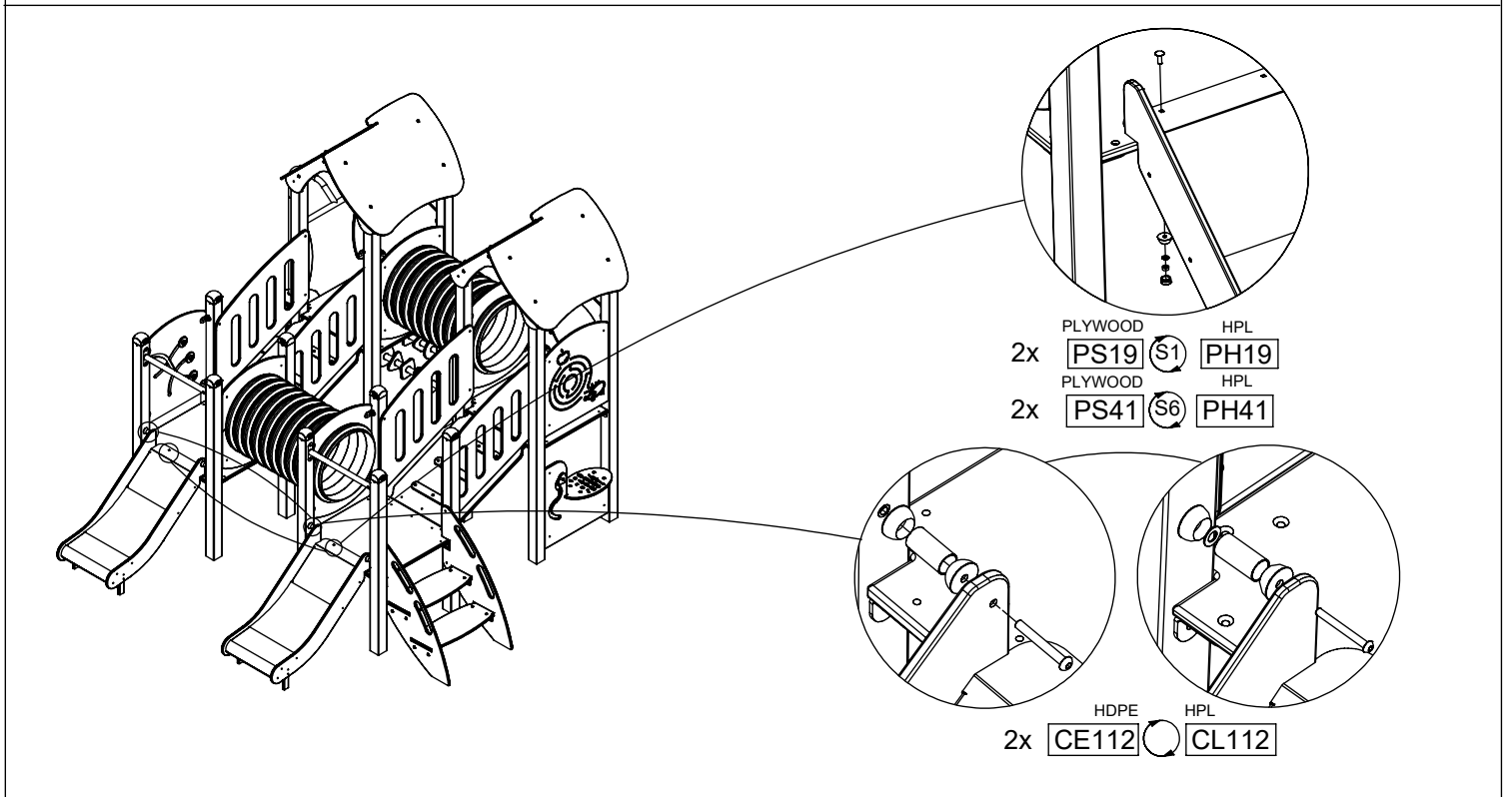
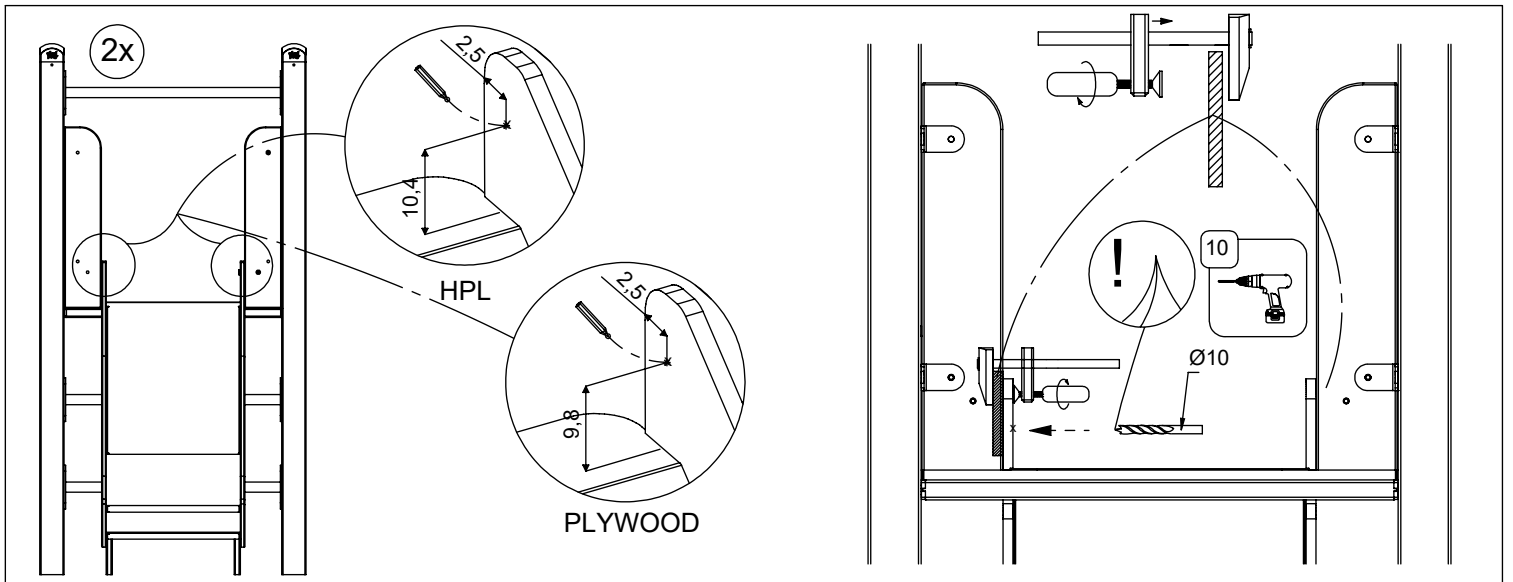
HPL  
CL7



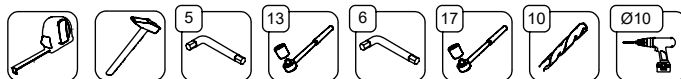
[cm]



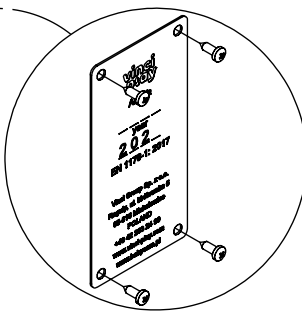
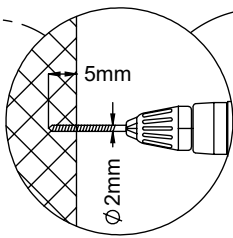
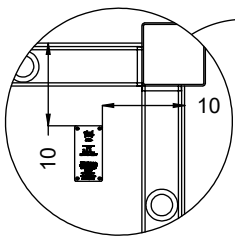
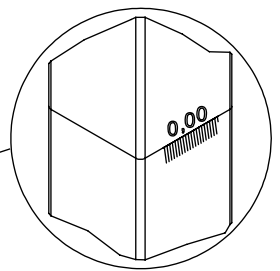
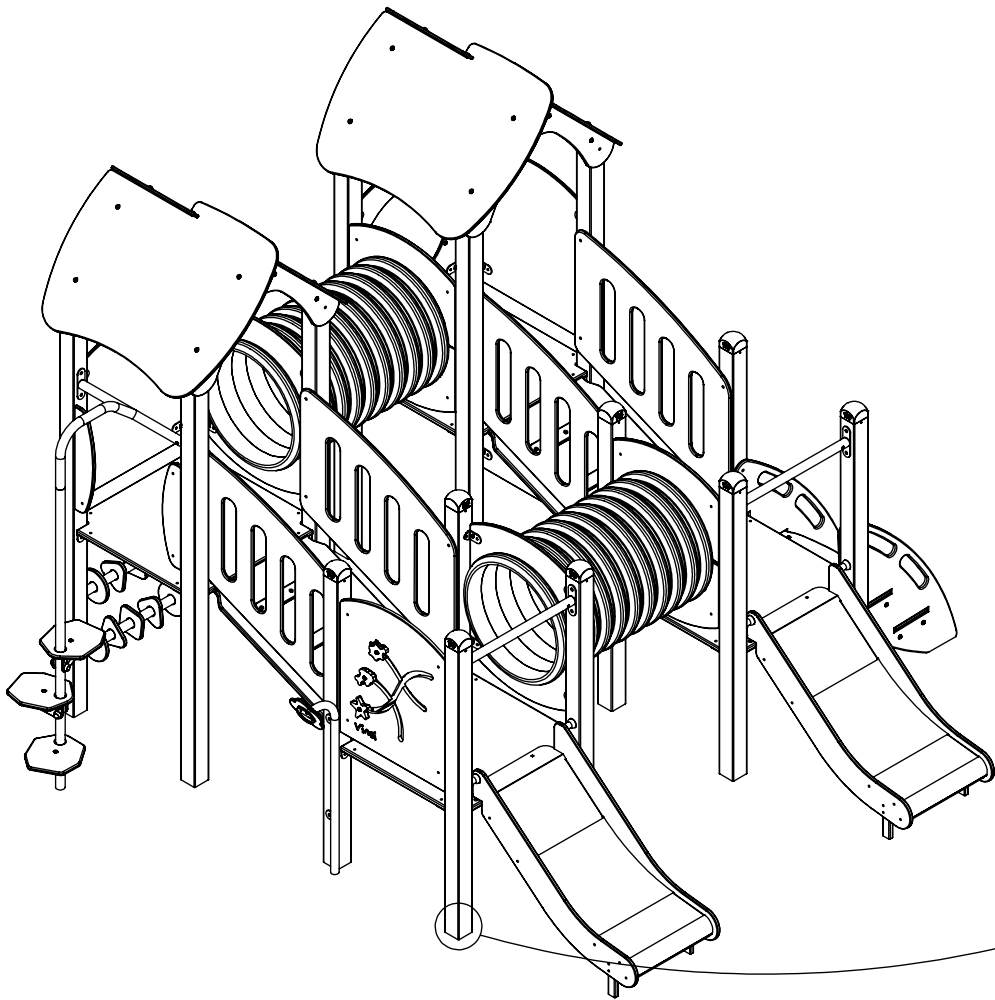
vinci  
play



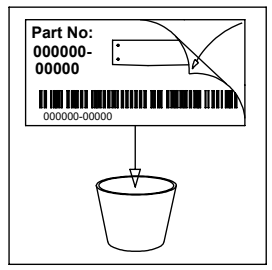
[cm]



vinci  
play



V001



[cm]



vinci  
play