

WOODEN WD1408



3 - 14 years



13 kids



31,1 m²



Material specification

- Construction made of the highest quality laminated, impregnated and double coated pine wood 90 x 90 mm without knots, secured from the top with polypropylene plugs,
- Metal anchors made of hot dip galvanized steel, protecting the wood from direct contact with the ground to prevent rot and to extend the product's life,
- Platforms and climbing walls made of durable anti-slip and waterproof plywood or HPL plate,
- Structure for platforms made of hot-dip galvanized and powder coated steel;
- Roofs, side panels made of durable HDPE or HPL plate, resistant to weather conditions,
- Slides made of stainless steel with durable HDPE or HPL side panels,
- Fireman's pole made of stainless steel,
- Moving elements made of durable HDPE or HPL plate, resistant to weather conditions,
- Steel ropes in polypropylene braid, connected with durable plastic elements, stainless steel or aluminum,
- Stainless steel bars and handrails,
- Screws covered with plastic caps and/or stainless steel screws,
- Safe end caps made of polypropylene,



Facilitating disability



easy access



integration



Intellectual development



manipulation



thinking



Physical development



sliding



pull-up



passage



climbing





2
number of towers



1
number of slides



1
number of roofs



1
number of interactive elements



4
number of activity elements

Product technical sheet

WOODEN WD1408

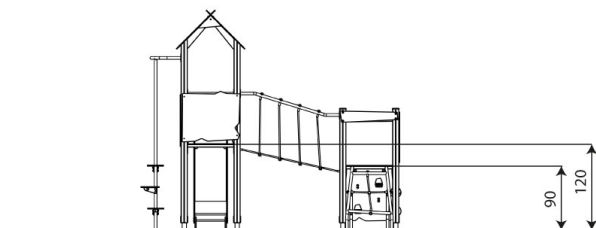
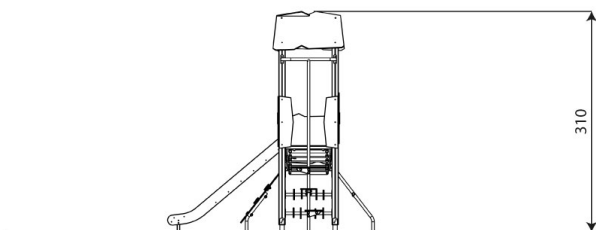
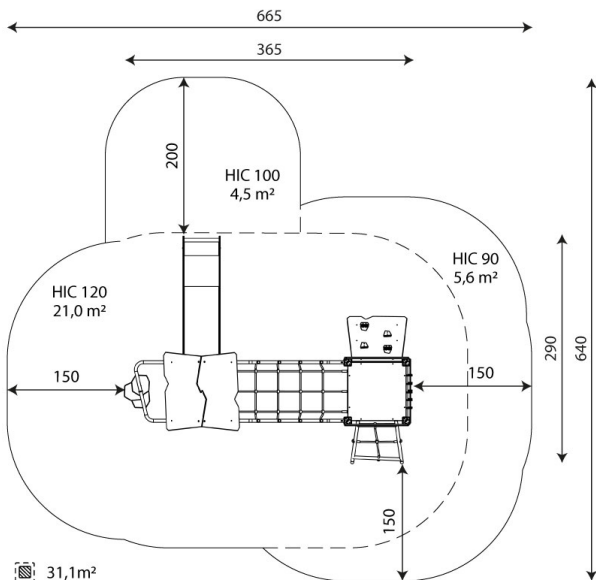
Product data

Length	365 cm
Width	290 cm
Total height	310 cm
Age group	3 - 14 years
Number of users	13 kids
Safety zone	31,1 m ²
Free fall height	120 cm
The height of the platforms	90, 120 cm
In accordance with norm EN	1176-1:2017
Weight of the heaviest part	30 kg
Dimensions of the largest part	332x9x9 cm
Availability of spare parts	YES
Installation time	6,0 h
Color options	

Data is subject to change without prior notice.

Additional information

- equipment intended for public playgrounds;
- equipment has a certificate issued by an accredited entity or a declaration of conformity;
- no sharp edges or chinks that would pose a danger of jimmieing the head, fingers or any other body parts;
- anchoring on flat surface, 80/70/60 cm deep;
- slide should not be installed southwards;
- render is for reference only, the actual appearance of the equipment and its color may vary;



Guarantee

30

30 year guarantee - Structural strength of steel and stainless steel components

15

15 year guarantee - Structural failure of steel and stainless steel, for dynamic equipment

10

10 year guarantee - Structural failure of high density polyethylene and high pressure laminates components

5

5 year guarantee - Corrosion of stainless steel and hot dip galvanized and powder coated components; against bark beetles and rot in case of wooden structural elements

Detailed information in the guarantee card

Vinci Group Sp. z o.o.
Seminarnyja 9 Street
99-400 Łowicz

VAT: 534-250-14-46
PHONE: +48 42 203 24 99 ext. 26
M: +48 793 404 991



biuro@vinci-play.com
info@vinci-play.com
www.vinci-play.com

Surfaces according to EN 1176-1:2017

	Description (mm)	Layer thickness (cm)	Maximum fall heights (cm)
Turf/ top layer of soil (A,B,C)	-	-	≤100
bark (A,C)	Particle size from 20 to 80	30	≤200
		40	≤300
woodchips (A,C)	Particle size from 5 to 30	30	≤200
		40	≤300
sand or gravel (A,C)	Particle size from 0,25 to 8	30	≤200
		40	≤300
synthetic attested (A,B,C)	Tested according to EN 1177		120

Product technical sheet

WOODEN WD1408

Amount of safe surface corresponding with free fall height:

HIC 90	5,6 m ²
HIC 100	4,5 m ²
HIC 120	21,0 m ²

Data is subject to change without prior notice.

