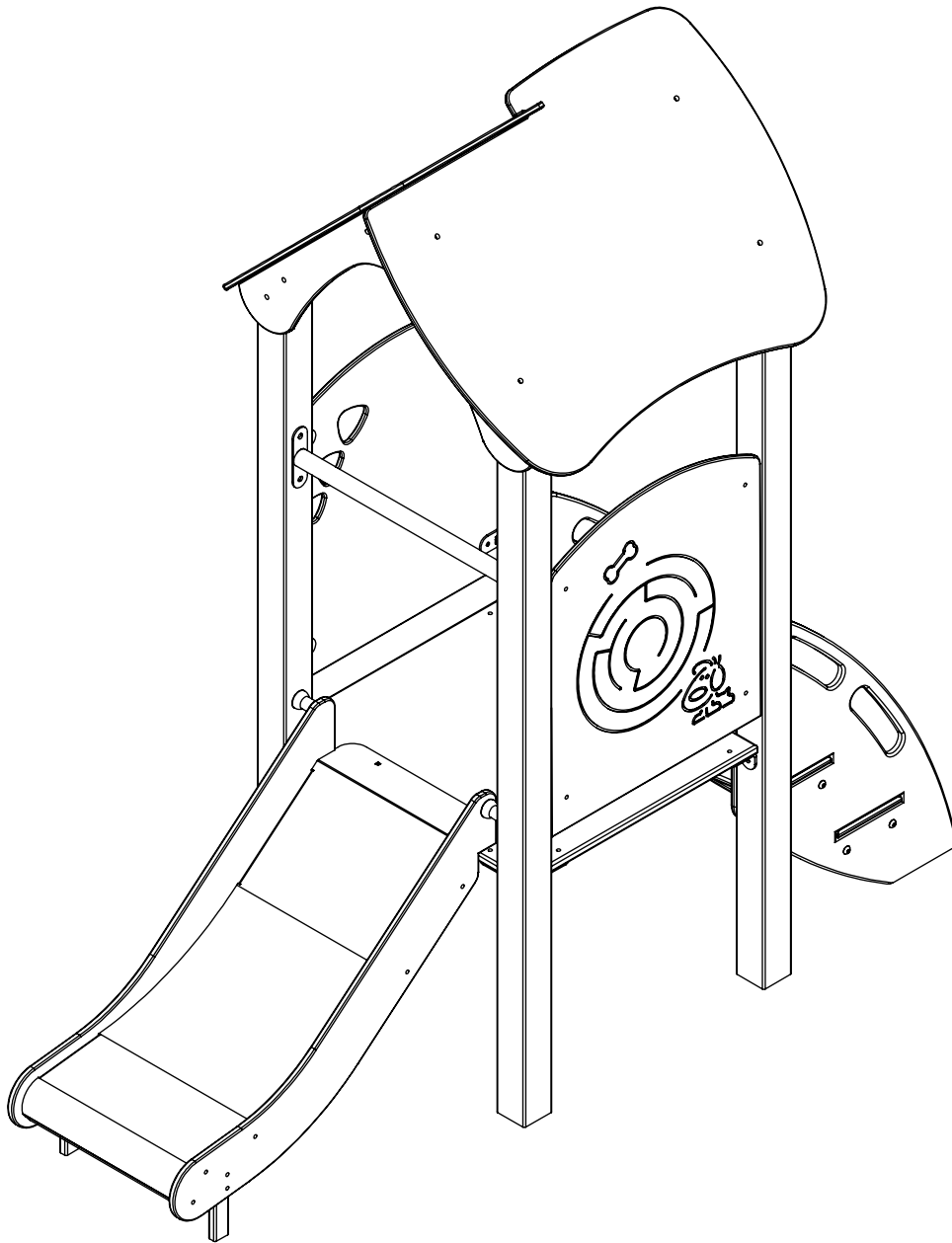
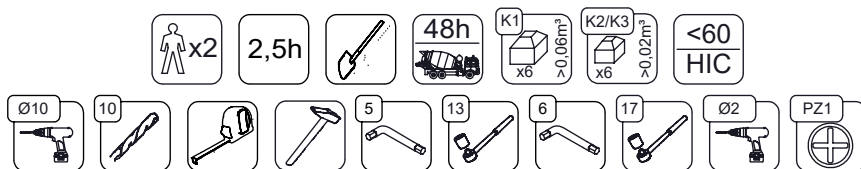


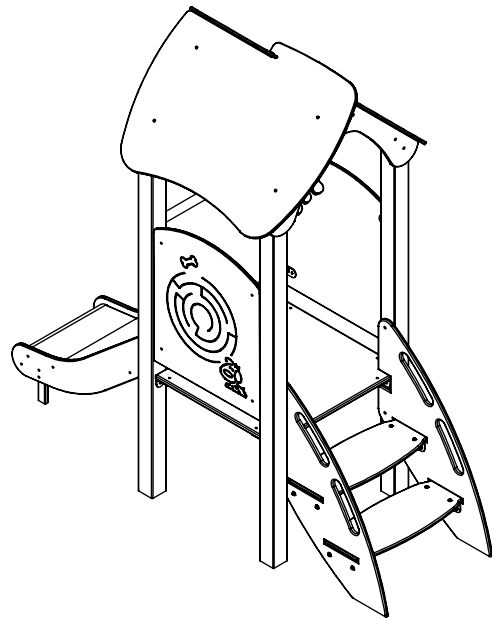
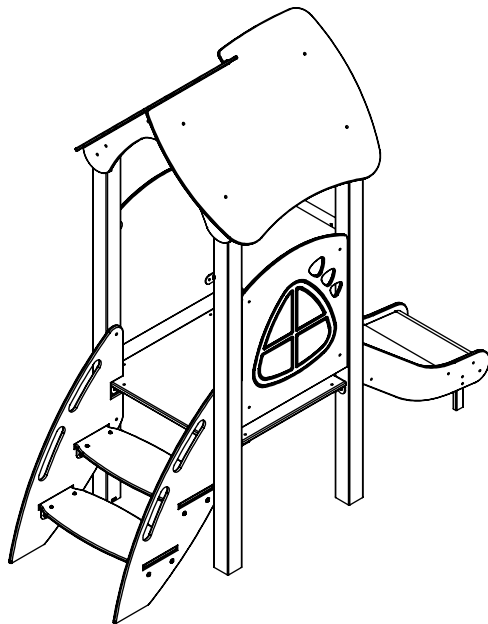
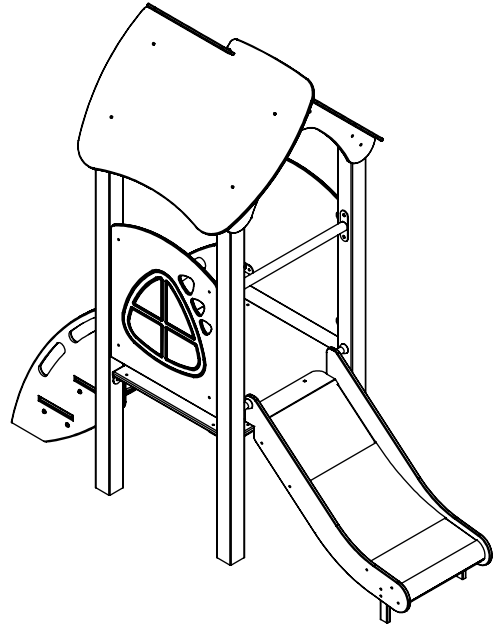
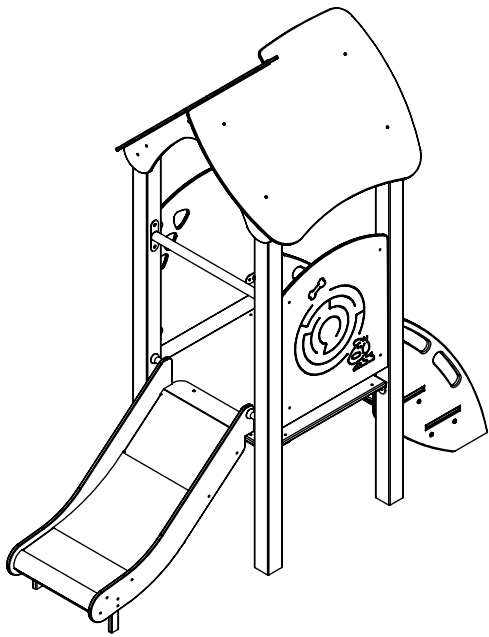
0104



v012
28.01.2022
A. D.
[cm]

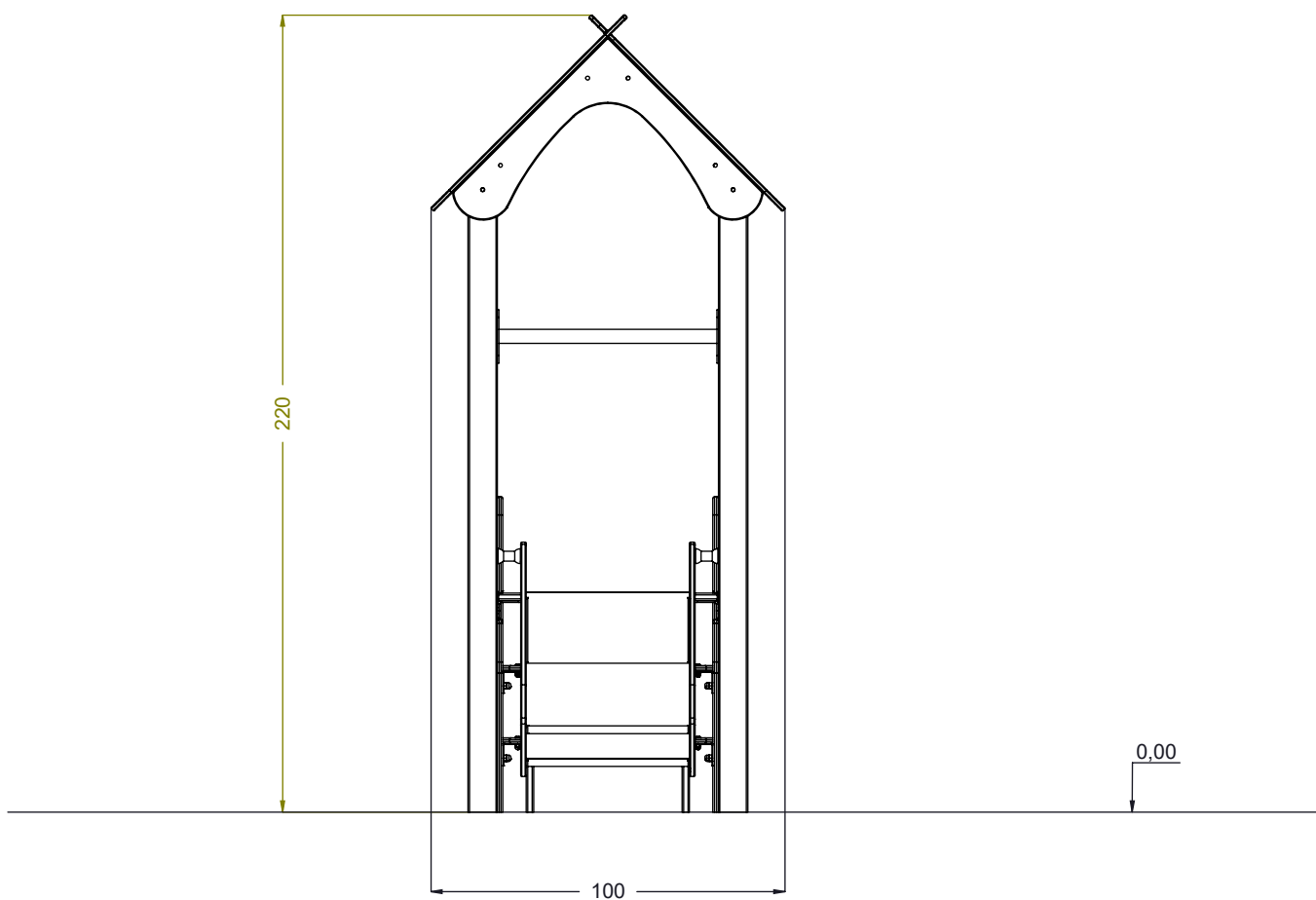
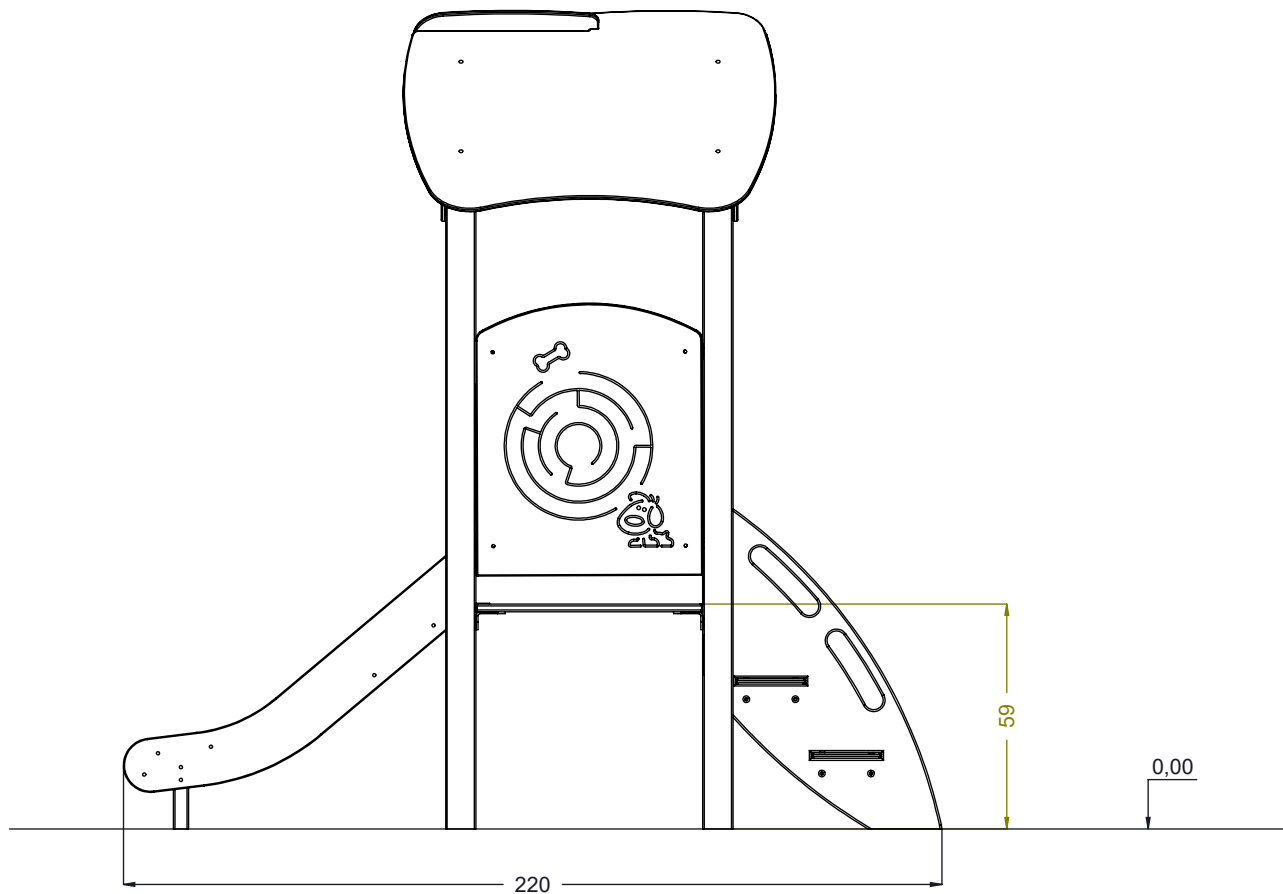


vinci
play



[cm]

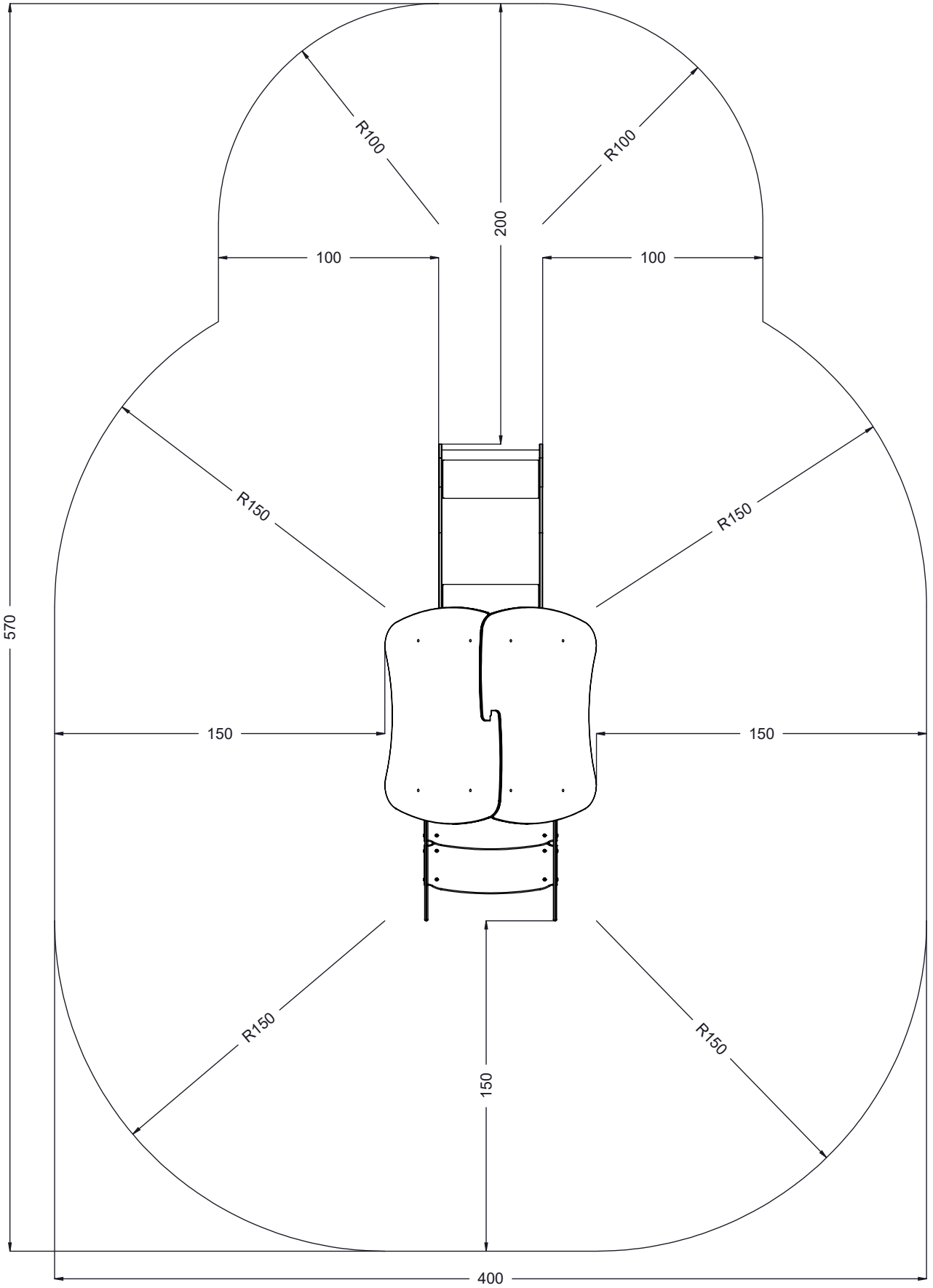
vinci
play



[cm]



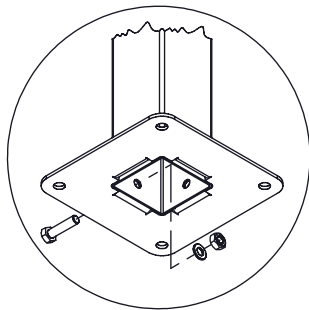
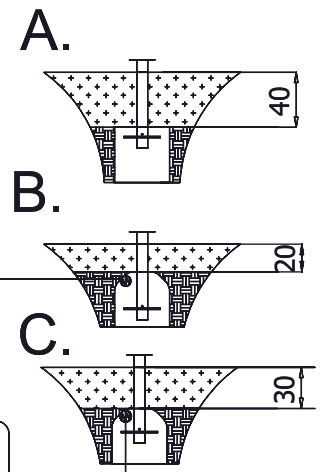
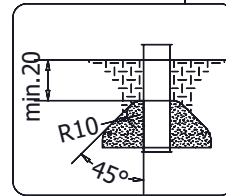
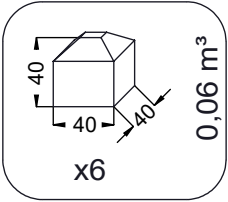
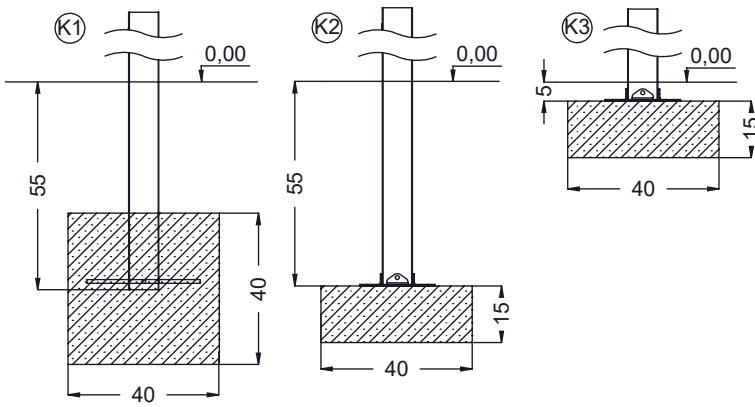
vinci
play






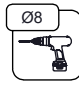


[cm]

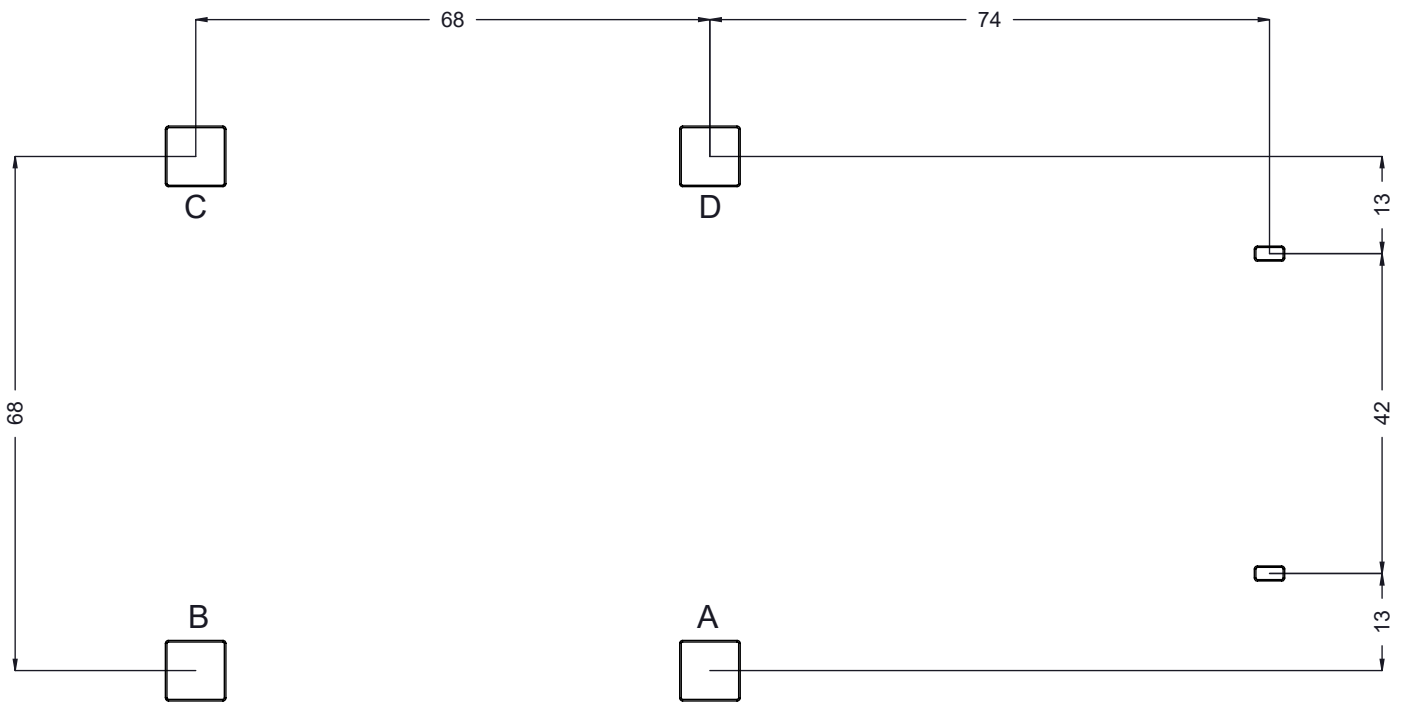
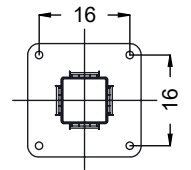


vinci
play



E37

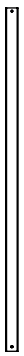
16x M10x120 (K2)	2x M8x120 (K2)
18x M10x120 (K3)	
	
	
NOT INCLUDED 	NOT INCLUDED 



[cm]

	2,5h			48h 	K1  x6 >0,06m³	K2/K3  x6 >0,02m³
---	------	---	---	---	---	---

vinci play



0104A
x1



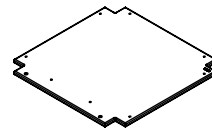
0104B
x1



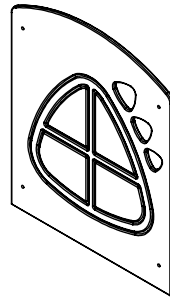
0104C
x1



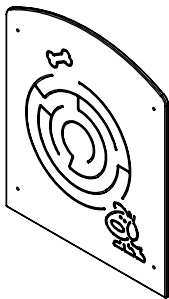
0104D
x1



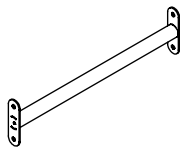
011226
x1



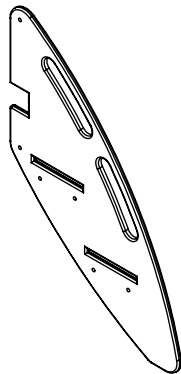
011105
x1



011102
x1



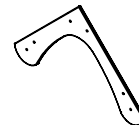
012101
x1



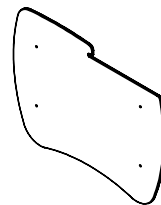
011129
x2



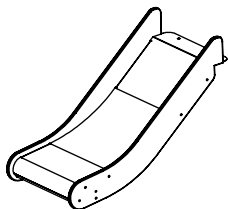
011126
x2



011119
2x



011143
2x

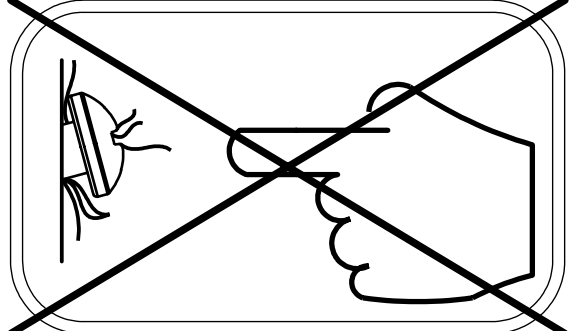
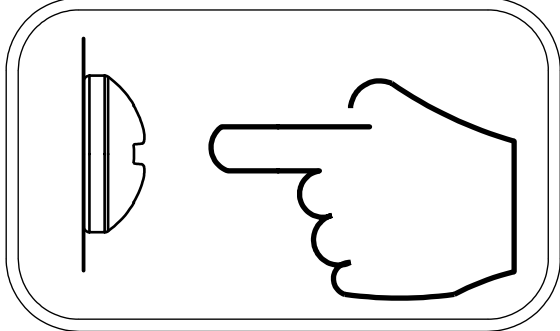
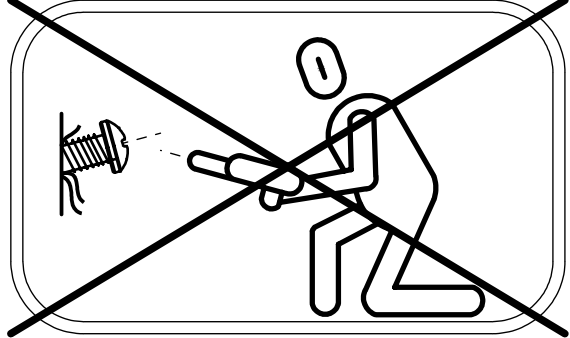
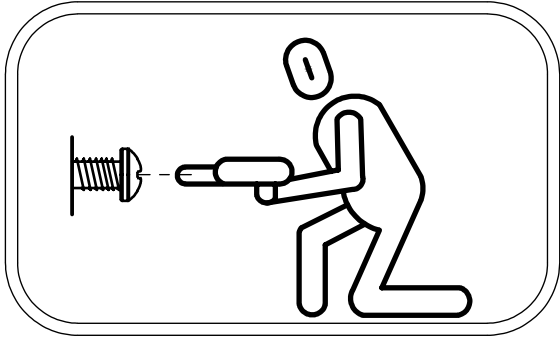


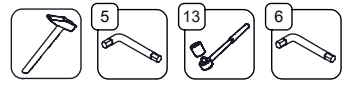
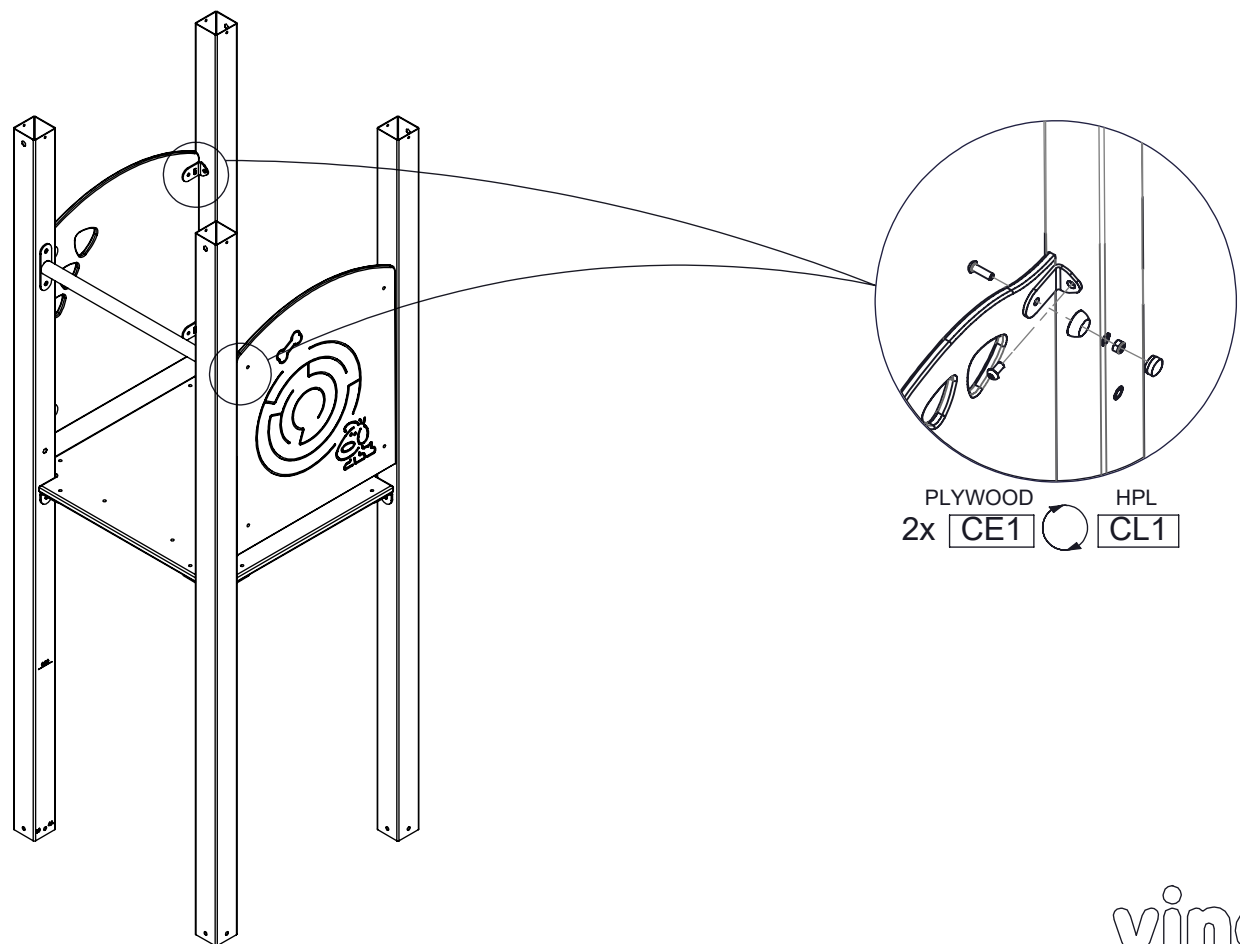
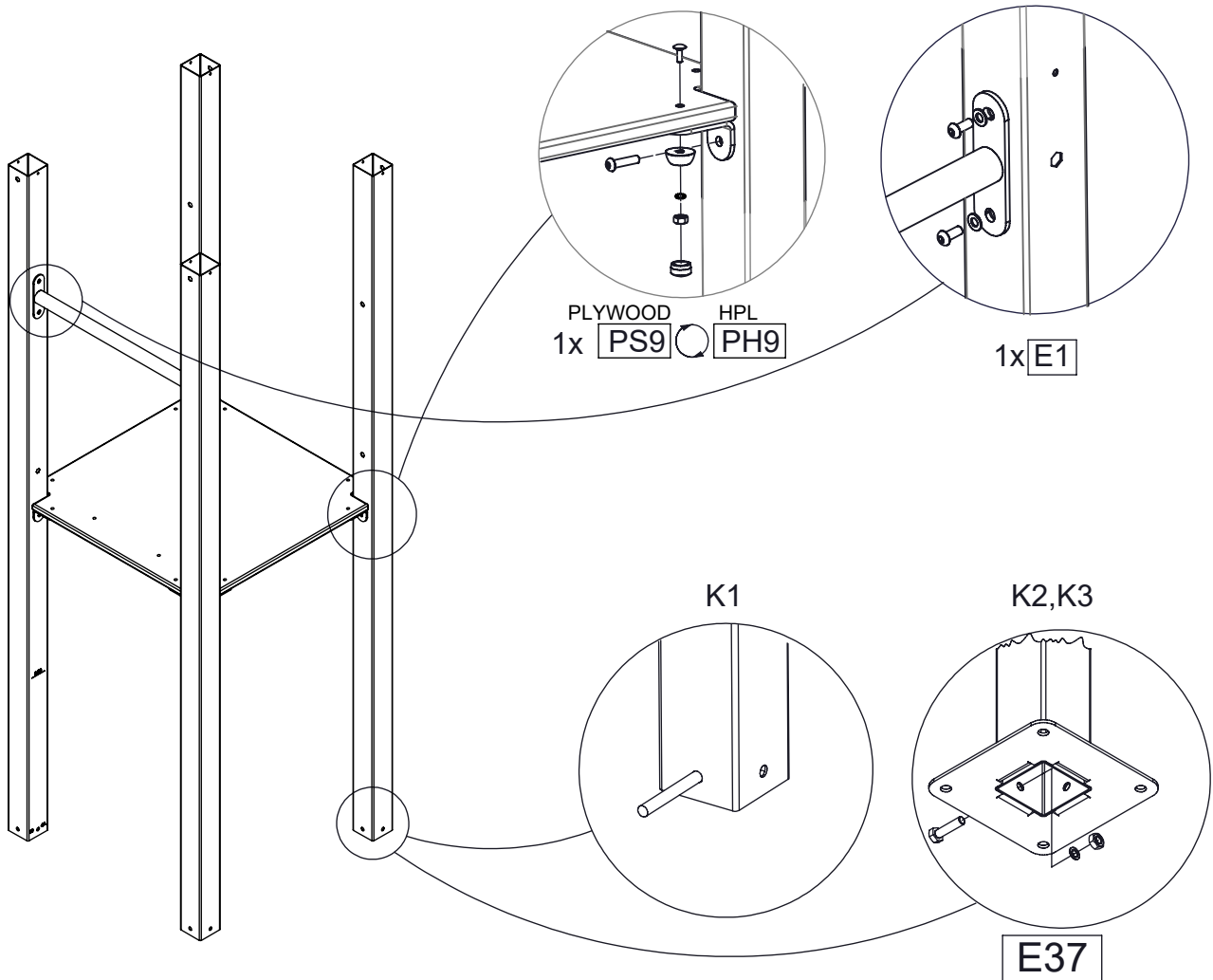
994146
x1

K1,K2	K3	K2,K3
p78 x2	b219-2 x2	b231 x4

	HDPE	HPL	ST/INOX
2x	CE1	CL1	
1x	CE3	CL3	
1x	CE7	CL7	
1x	CE111	CL111	
1x	CE112	CL112	
1x			E1
1x			E34 ^{K1,K3}
1x			E35 ^{K2}
4x			E37 ^{K2,K3}
1x			V001

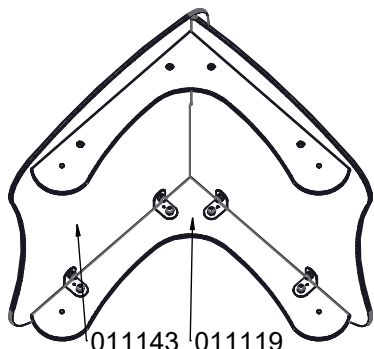
	PLYWOOD	HPL
1x	PS9	PH9
1x	PS19 ^{S1}	PH19 ^{S1}
1x	PS41 ^{S6}	PH41 ^{S6}



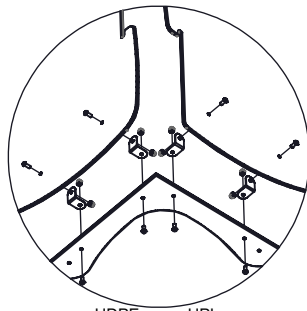


[cm]

vinci play



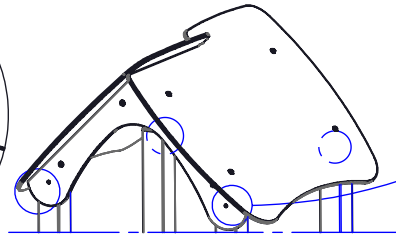
011143 011119
2x 2x



1x

HDPE	CE3
------	-----

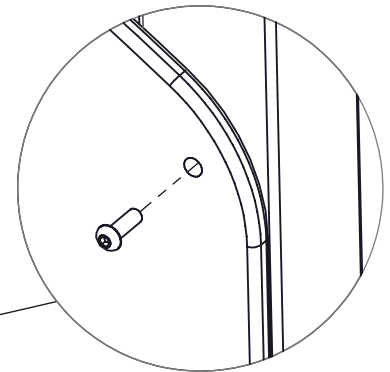
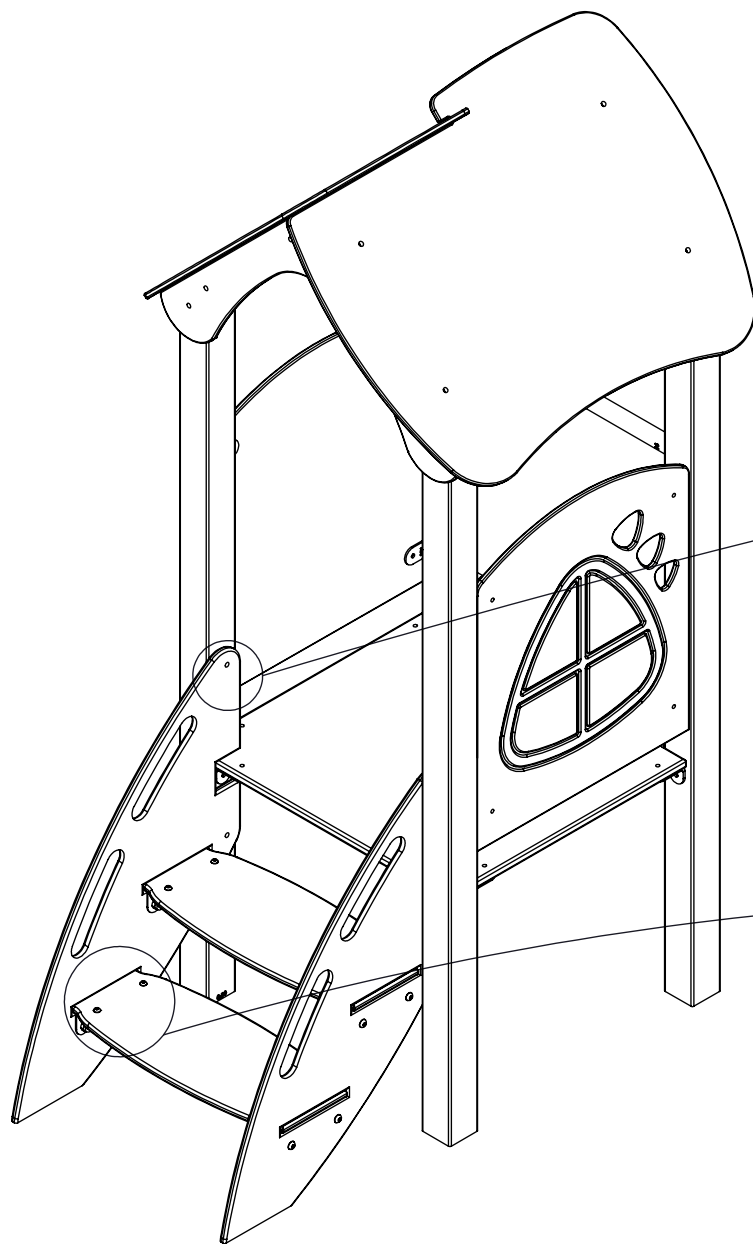
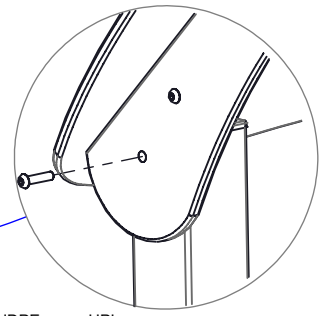
HPL	CL3
-----	-----



1x

HDPE	CE111
------	-------

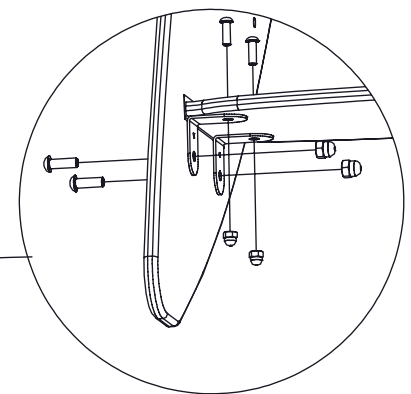
HPL	CL111
-----	-------



1x

PLYWOOD	CE7
---------	-----

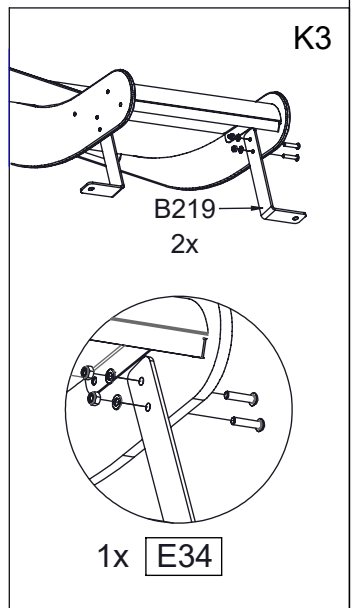
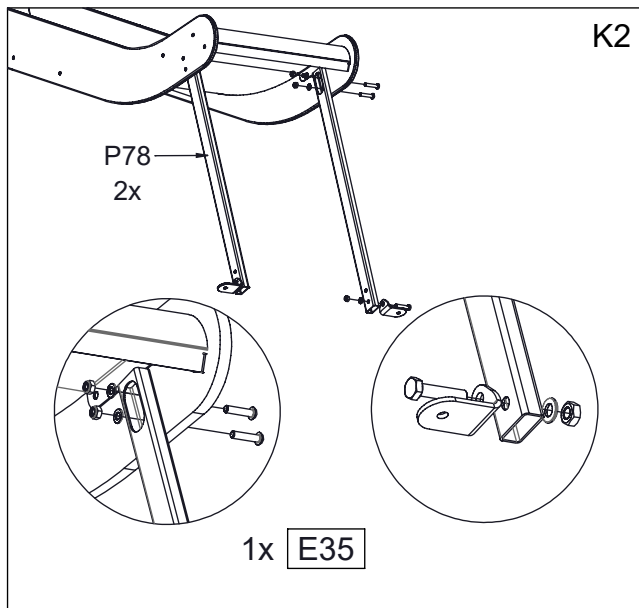
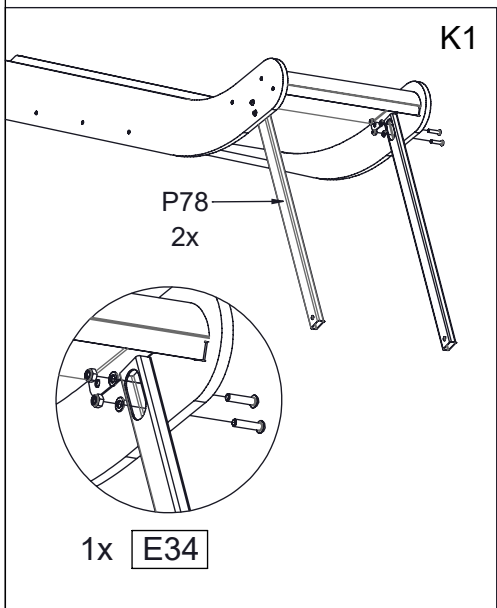
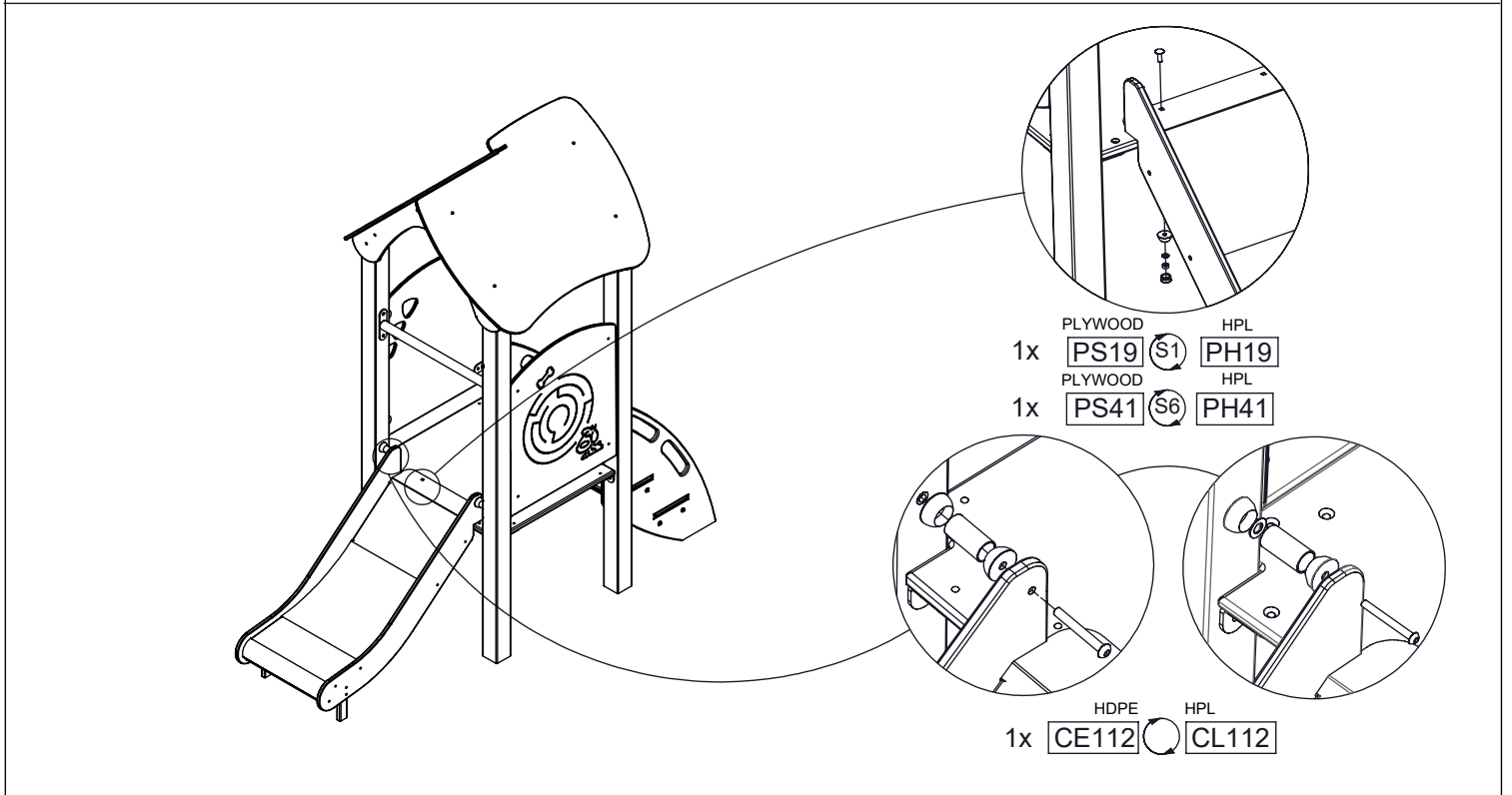
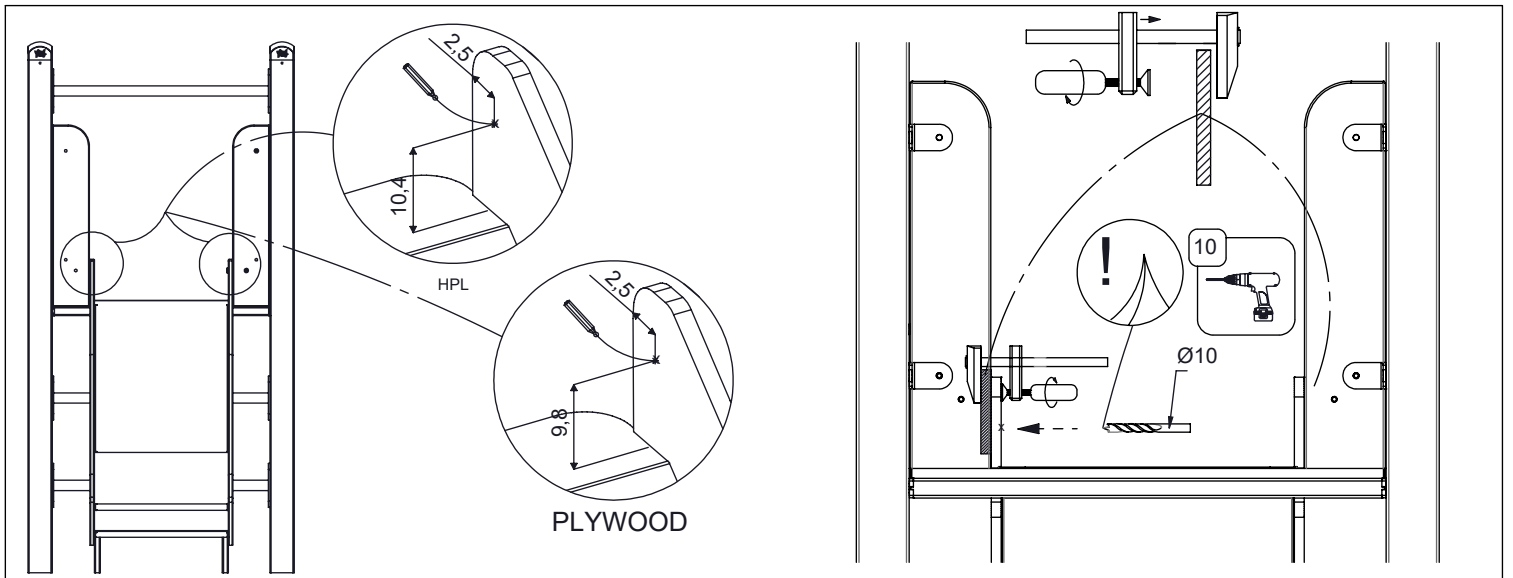
HPL	CL7
-----	-----



[cm]



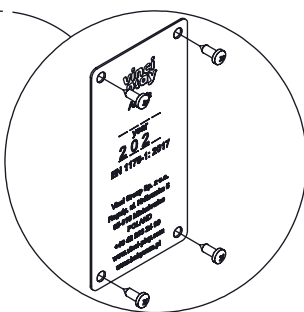
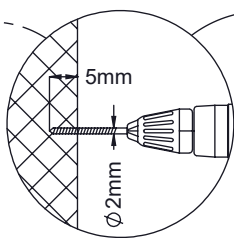
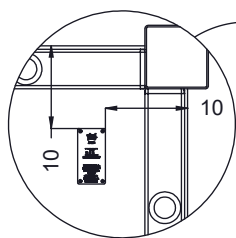
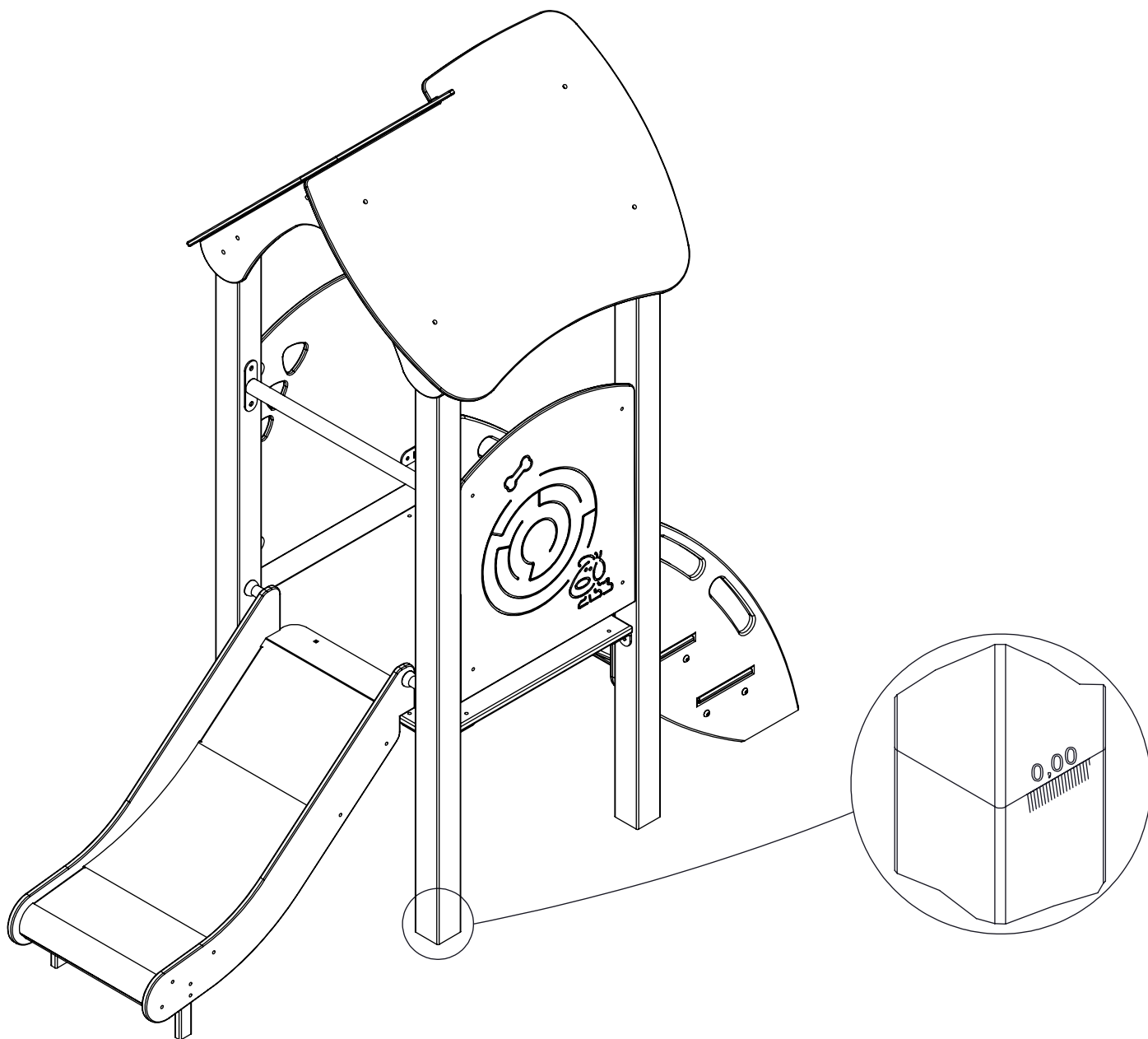
vinci
play



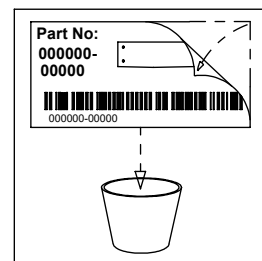
[cm]



vinci
play



V001



[cm]



vinci
play