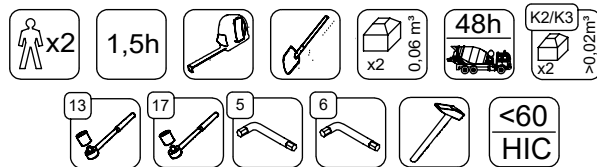
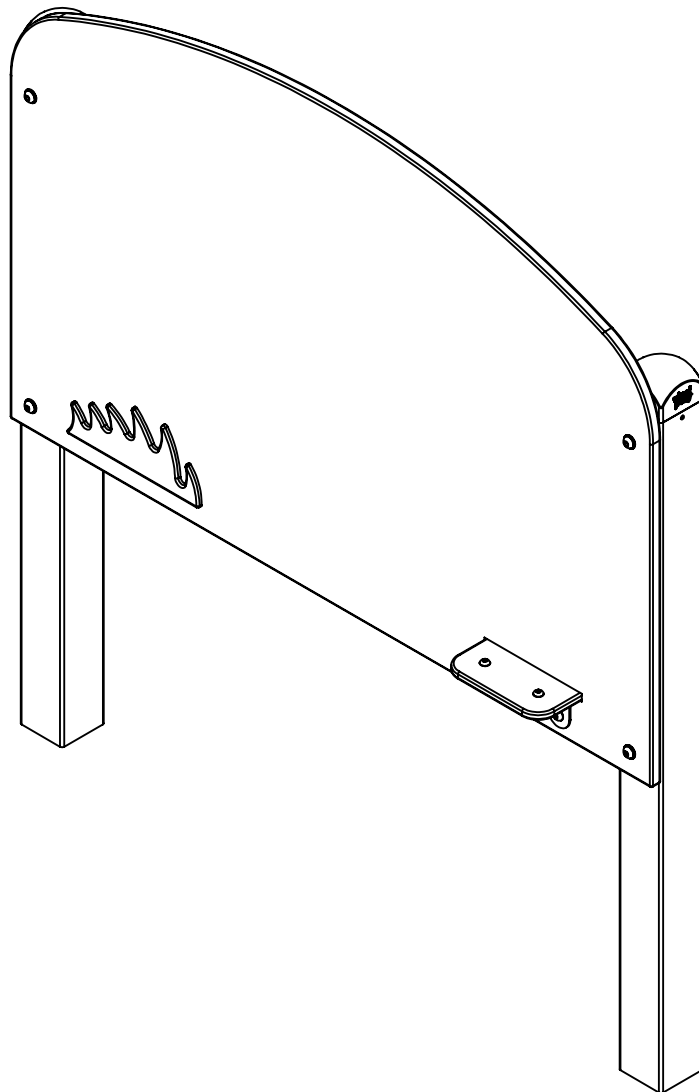
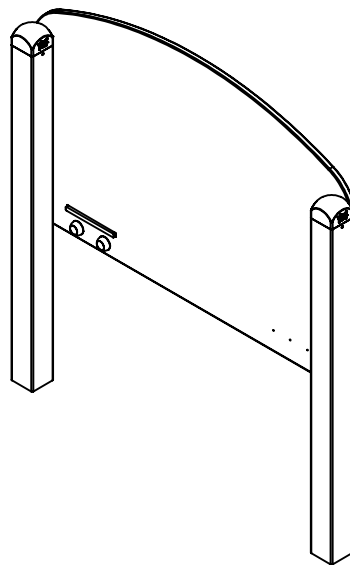
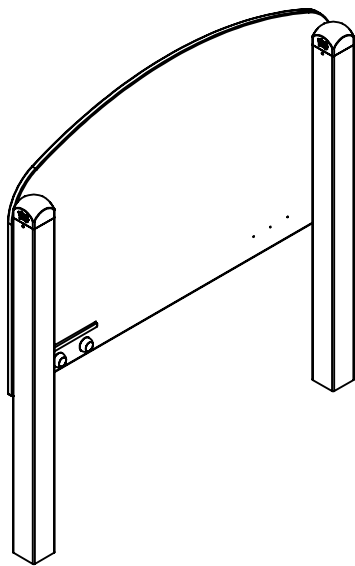
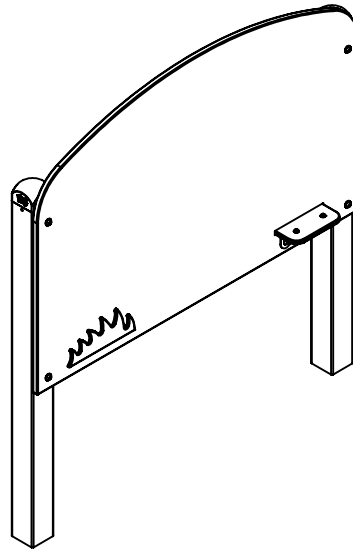
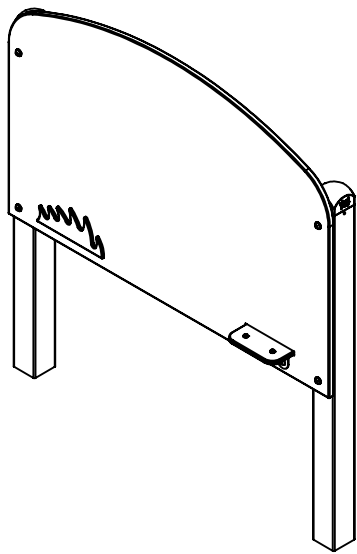


0804



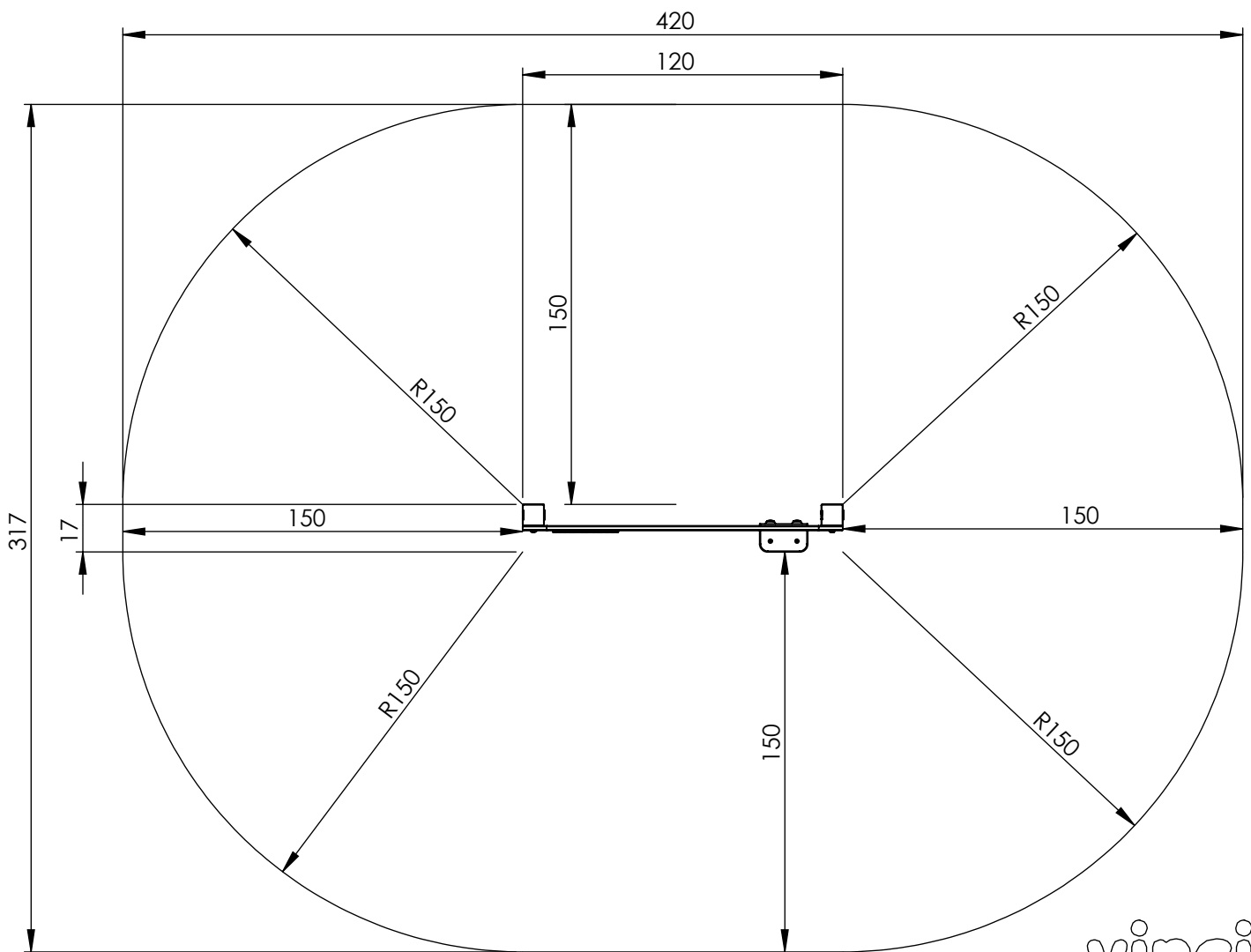
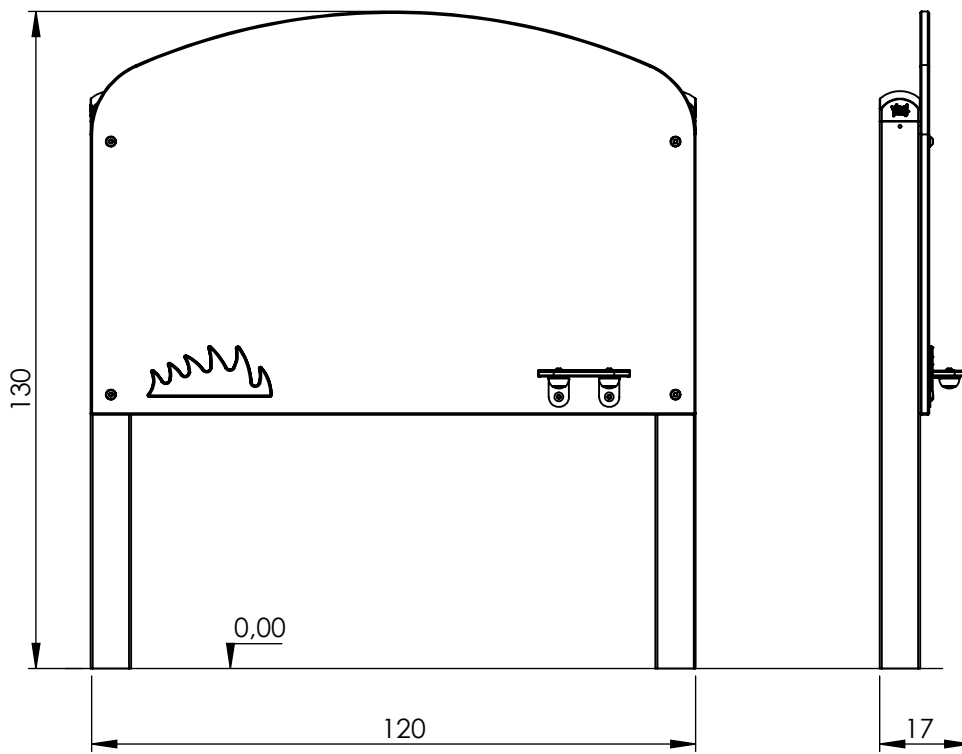
v011
27.01.2022
A. D.
[cm]

vinci
play



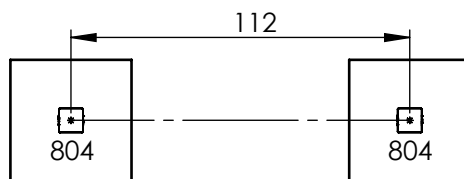
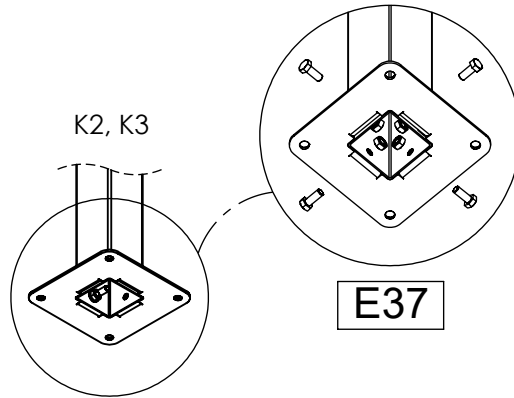
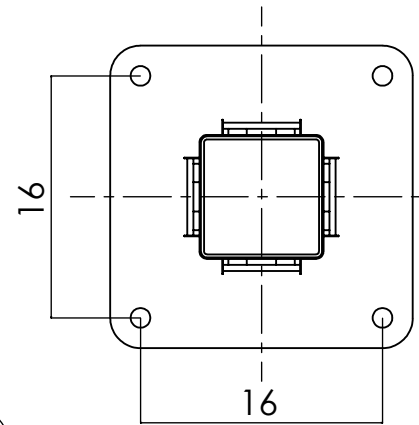
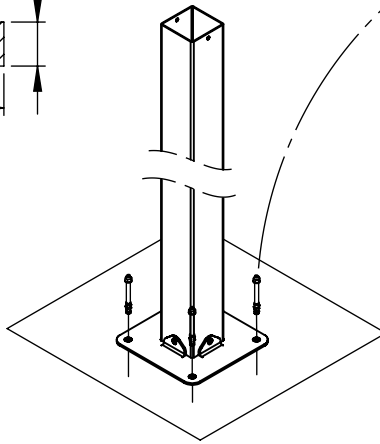
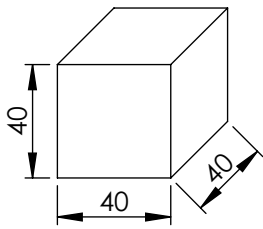
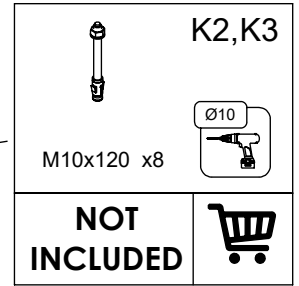
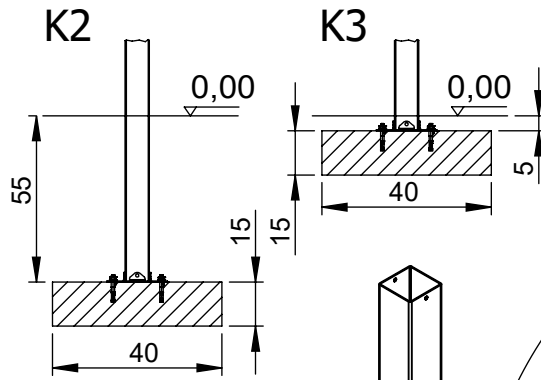
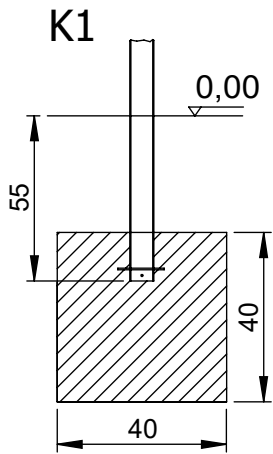
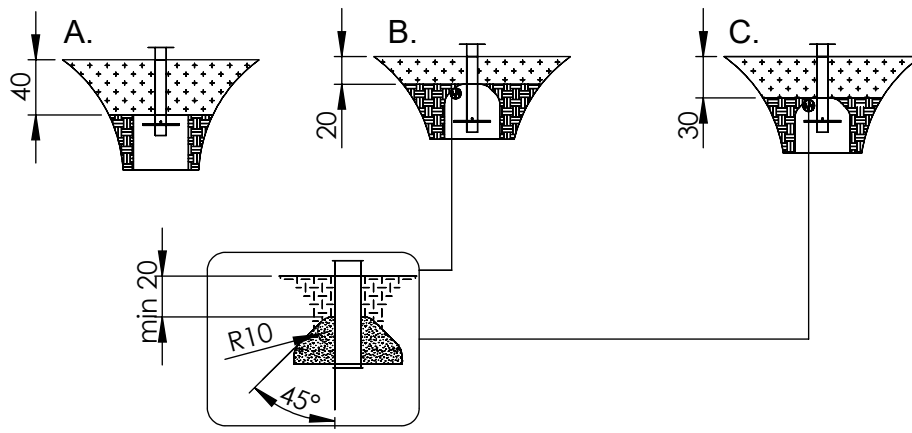
[cm]

vinci
play



[cm]

vinci
play



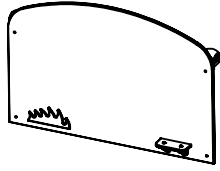
[cm]



vinci play



0804-A
x2



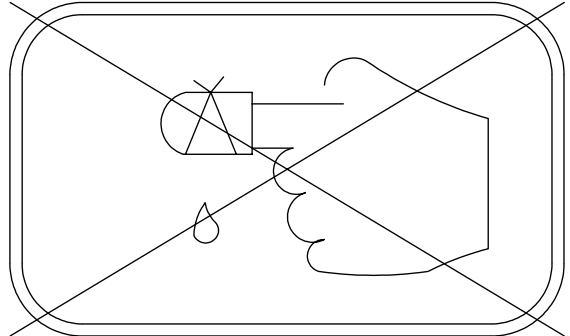
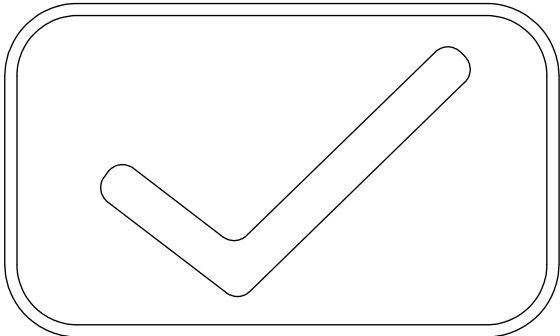
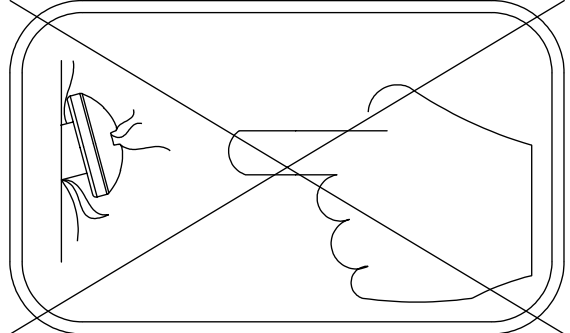
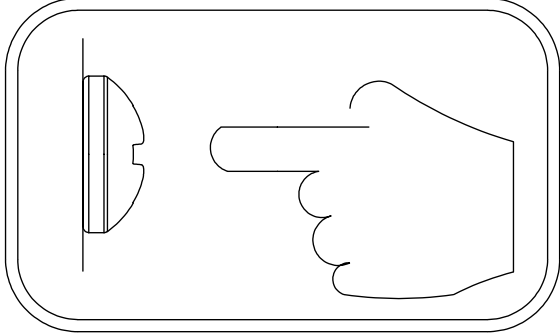
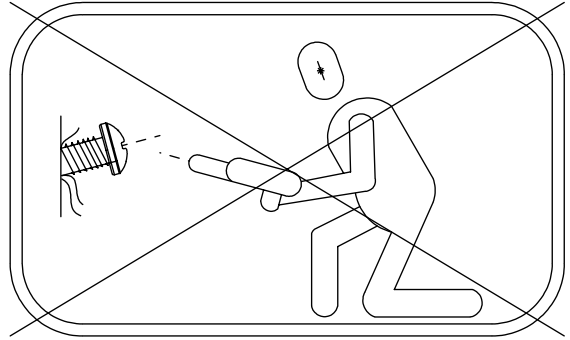
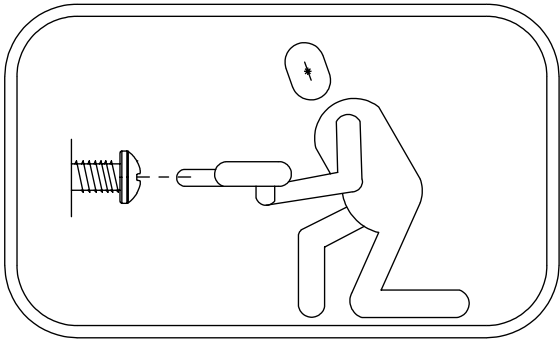
081200
x1

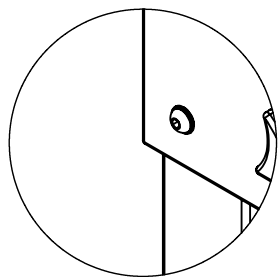
K2, K3



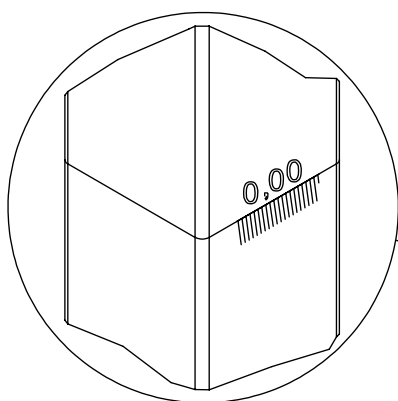
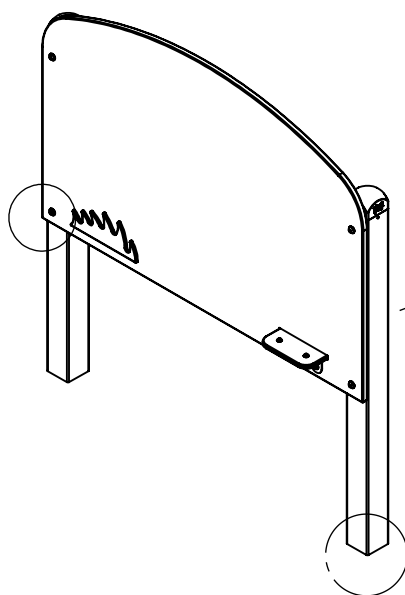
b231
x2

ST/INOX	
1x	E112
	E37 (K2, K3)
1x	V001





1x E112



vinci
play

Art. №

year
201

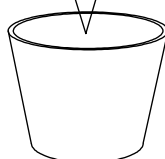
EN 1176-1: 2017

Vinci Group Sp. z o.o.
Reguły, ul. Krótka 5
05-816 Michałowice
POLAND
+48 42 203 24 99
www.vinci-play.com
www.babycam.pl

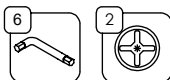
V001

Part No:
000000-
00000

000000-00000



[cm]



vinci
play