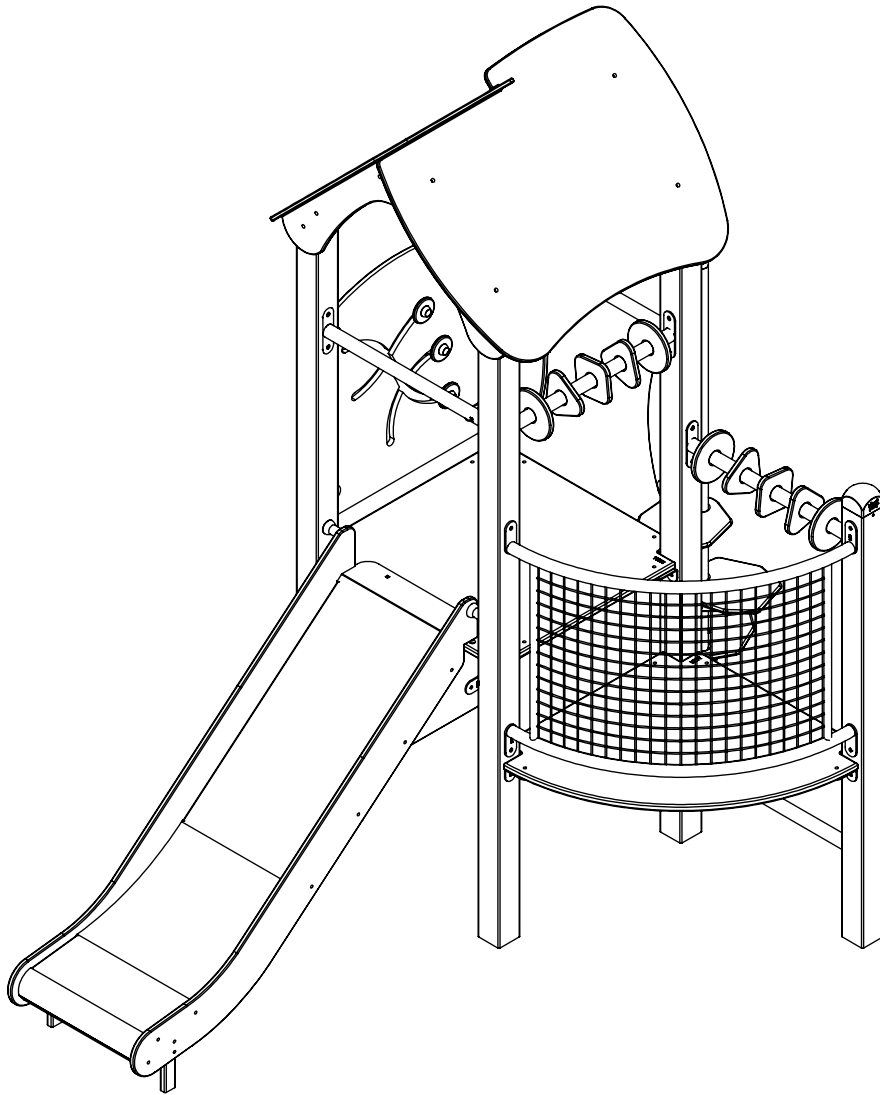
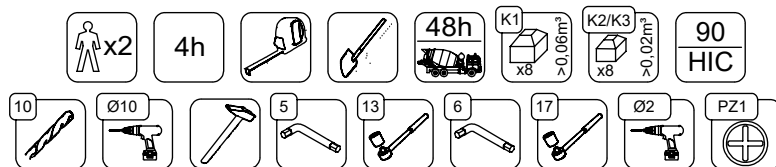


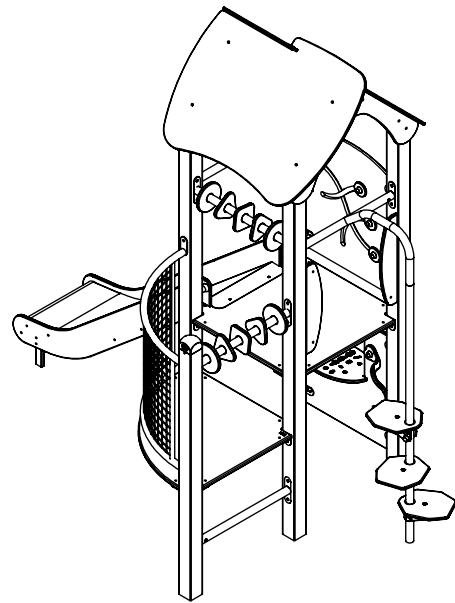
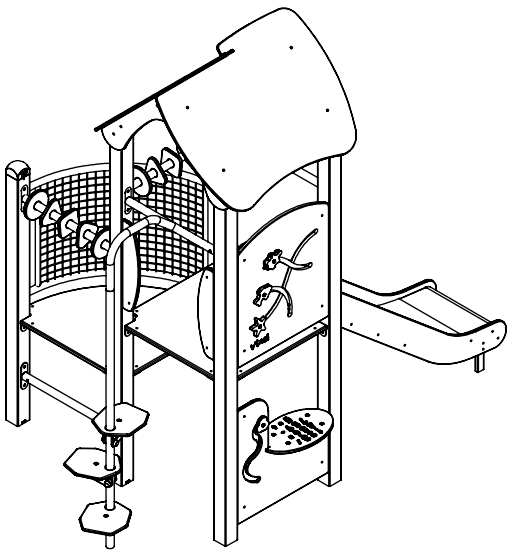
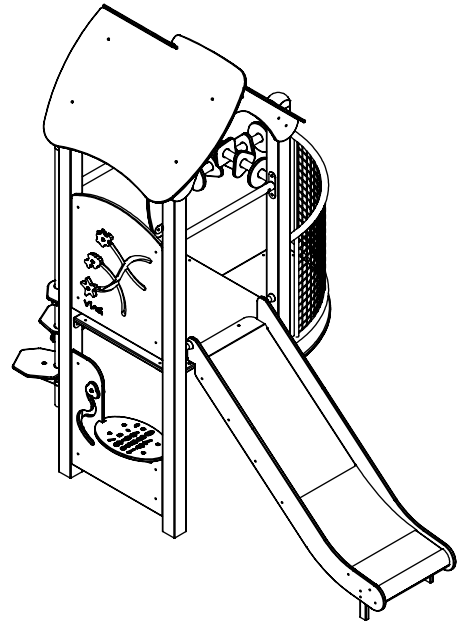
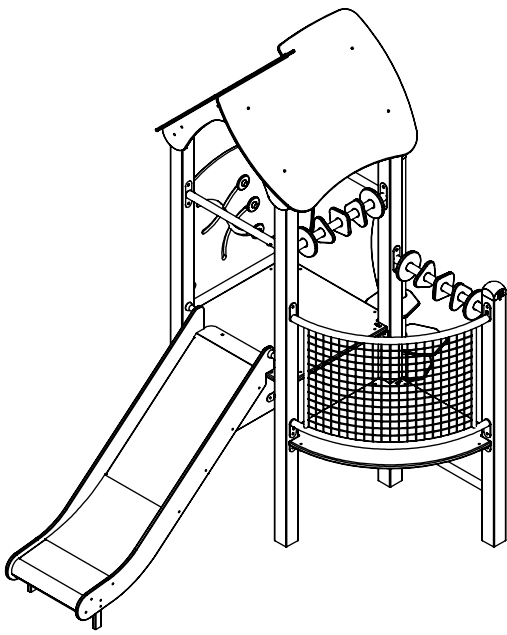
# 0112



v013  
01.02.2022  
A. D.  
[cm]

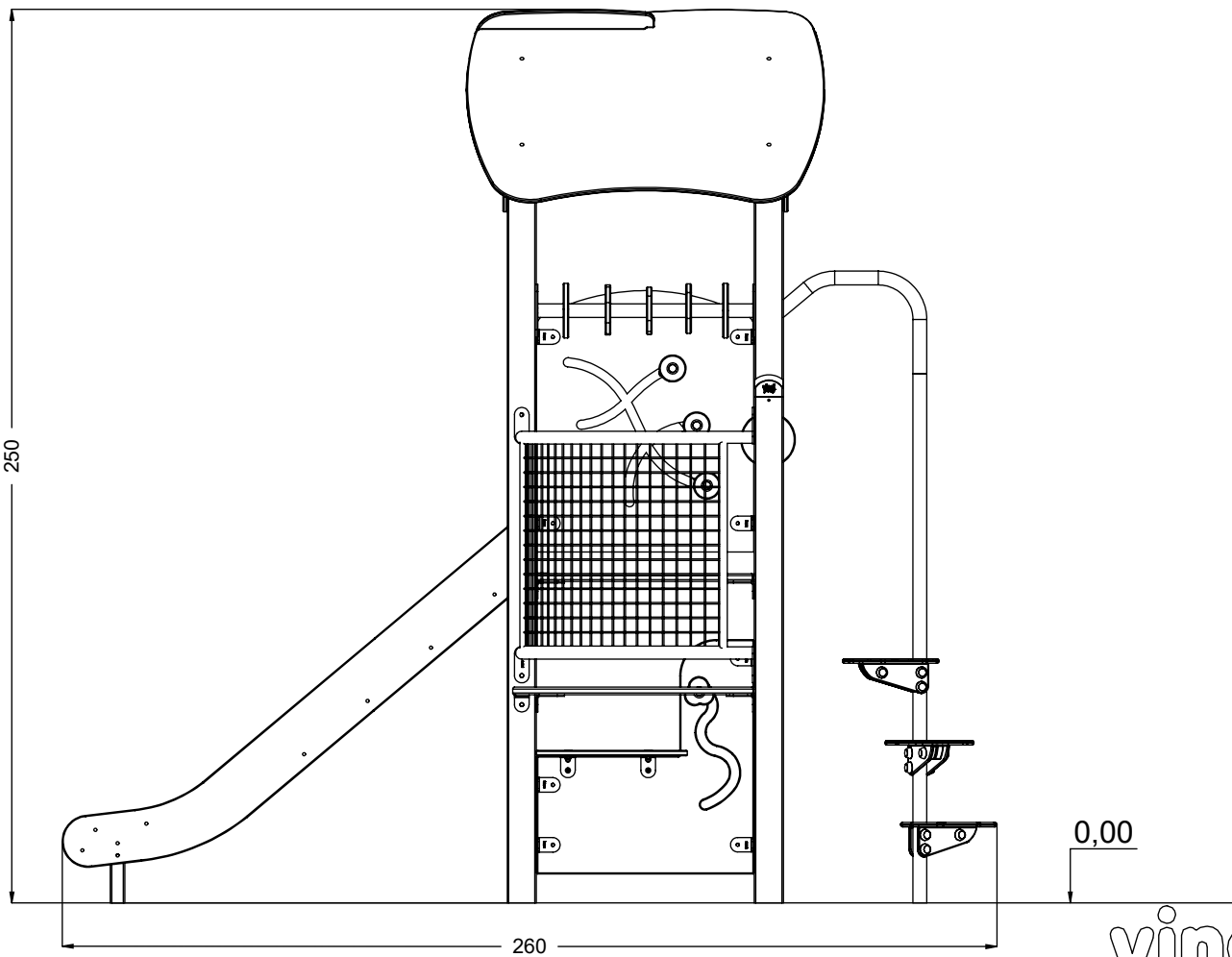
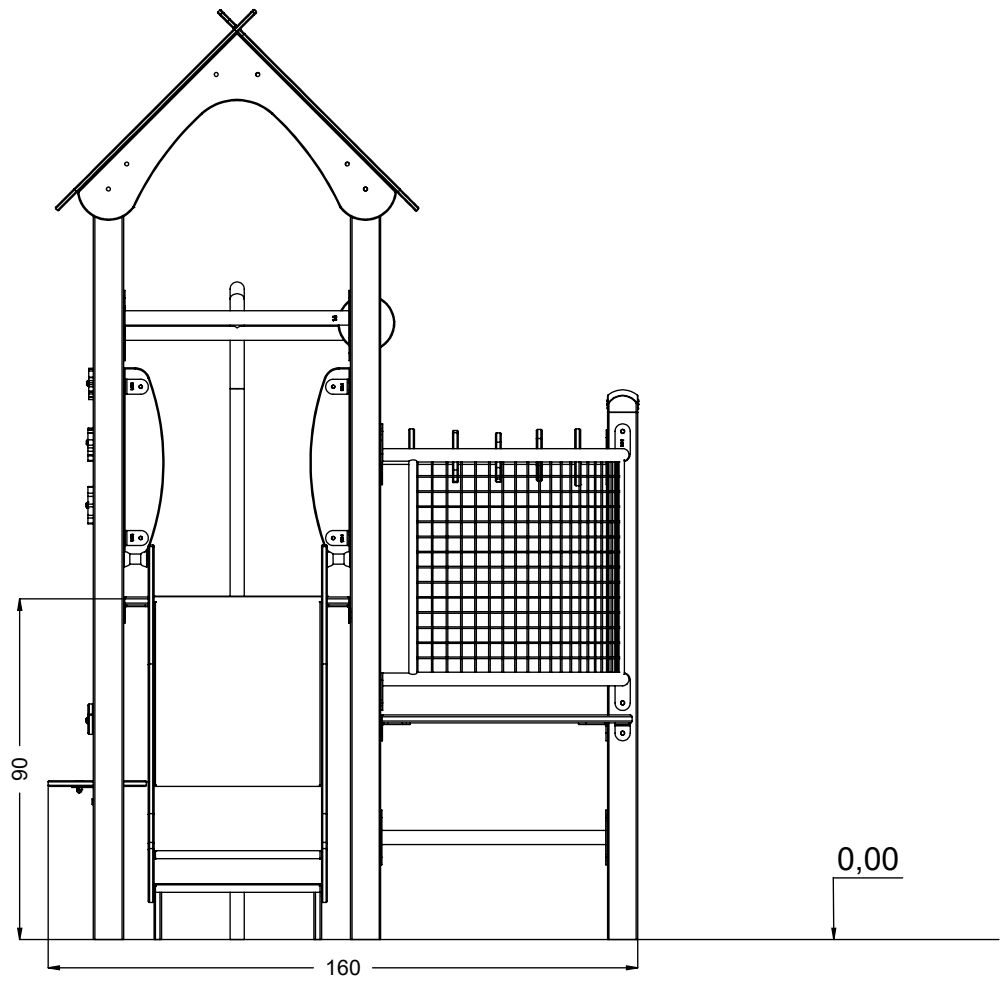


vinci  
play



[cm]

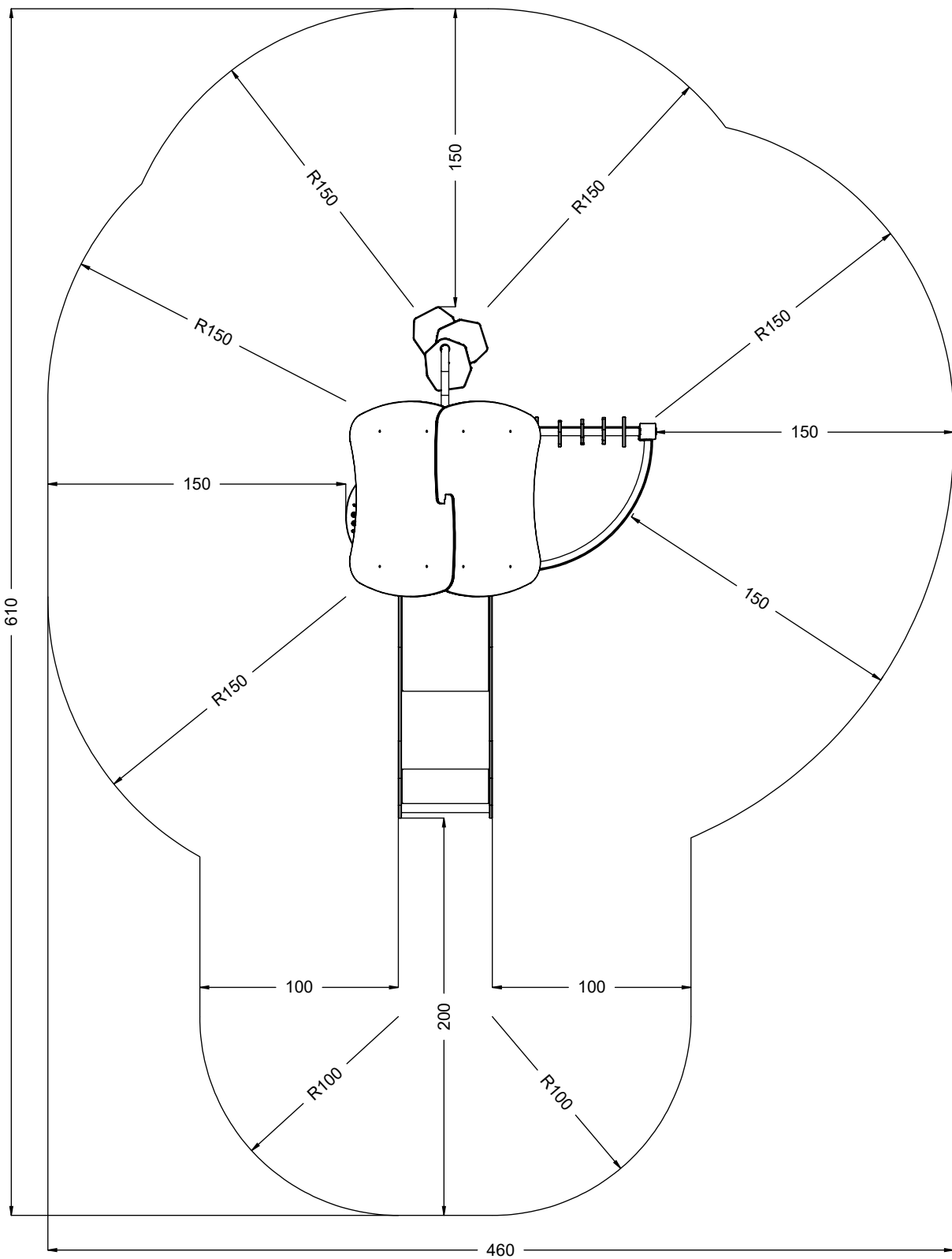
vinci  
play



[cm]



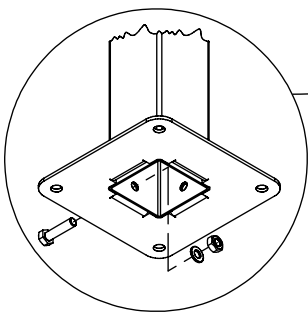
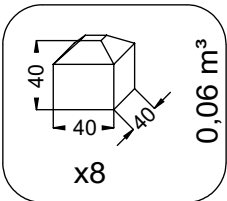
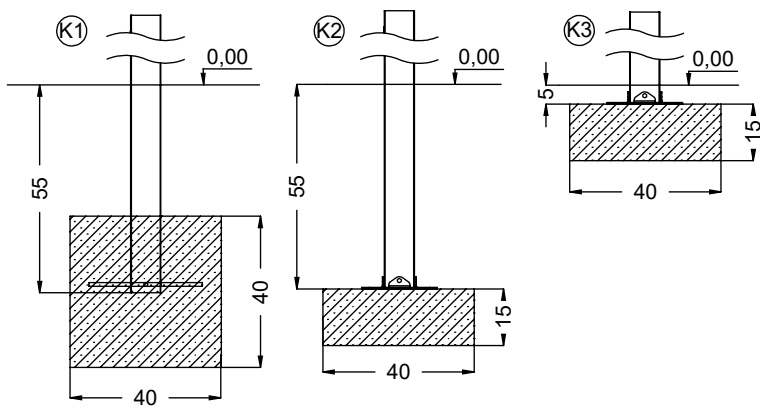
vinci  
play



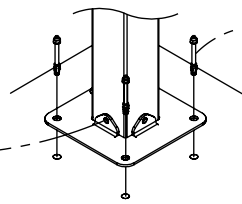
[cm]



vinci  
play



E37



20x M10x120 (K2)  
22x M10x120 (K3)



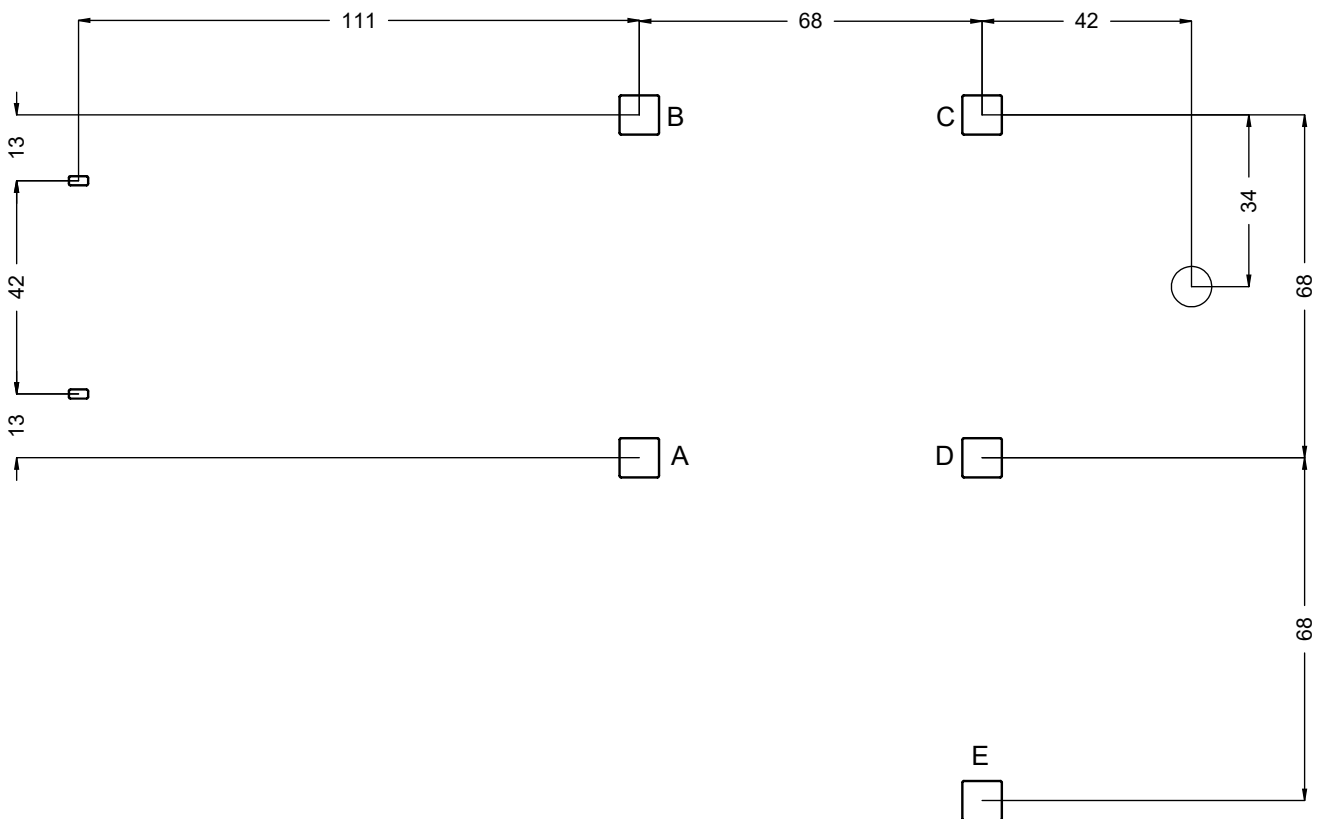
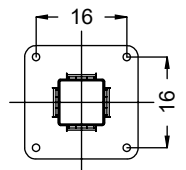
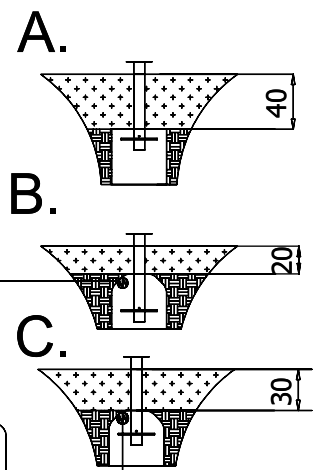
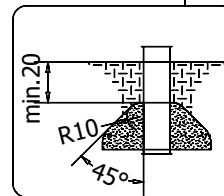
NOT INCLUDED



4x M8x120 (K2)  
2x M8x120 (K3)



NOT INCLUDED



[cm]



4h



vinci play



A

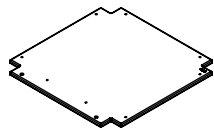
112



B

112

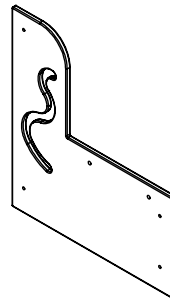
C



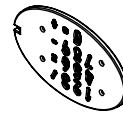
011226  
x1



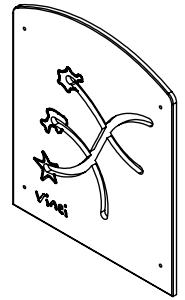
011231  
x1



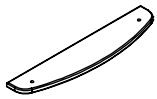
011122  
x1



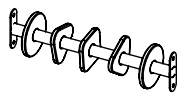
011154  
x1



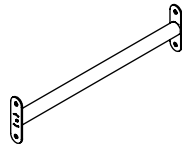
011111  
x1



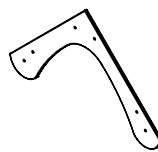
011142  
x2



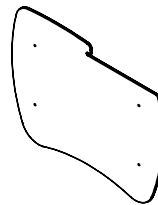
014107  
x2



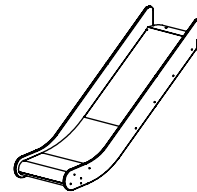
012101  
x2



011119  
x2

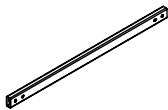


011143  
x2



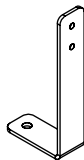
994147  
x1

K1,K2



p78  
x2

K3



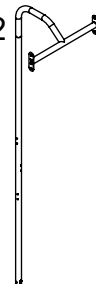
b-219-2  
x2

K2, K3



B231  
x5

K1,K2



014112  
x1

K3



012105  
x1

HPL

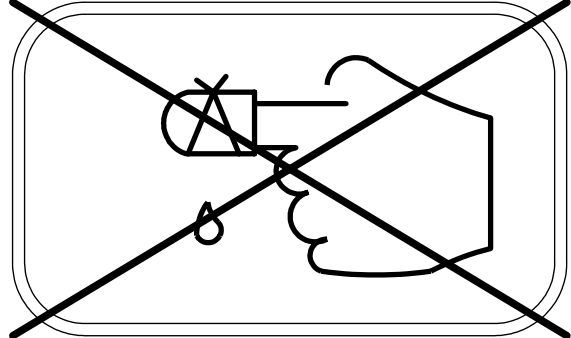
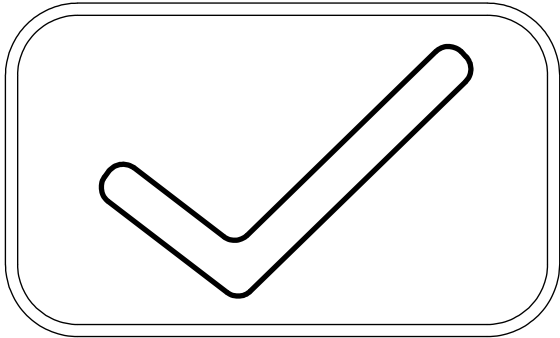
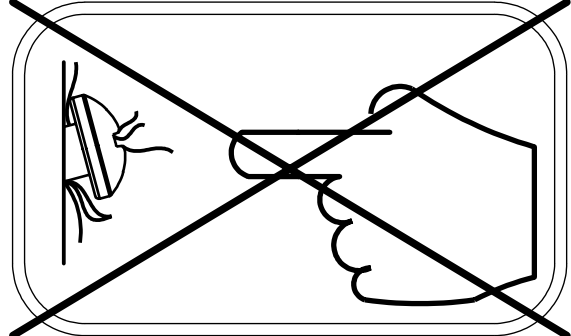
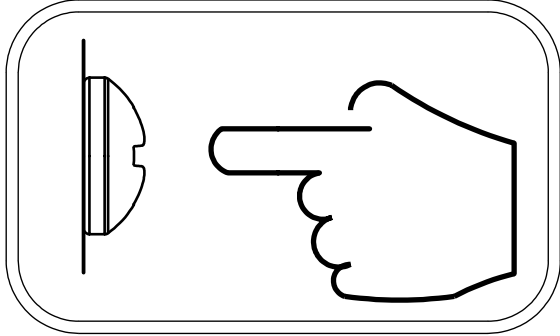
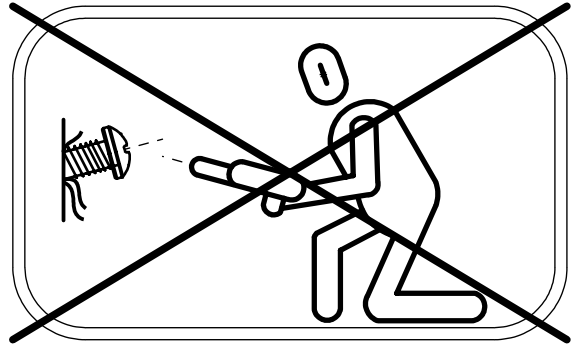
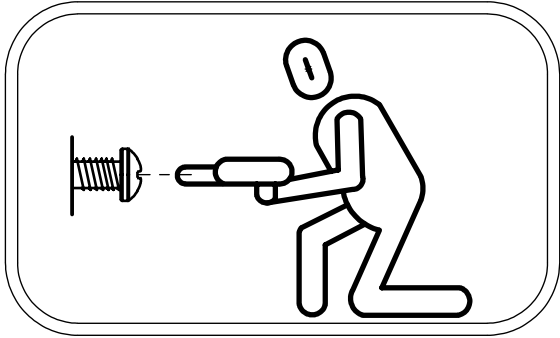


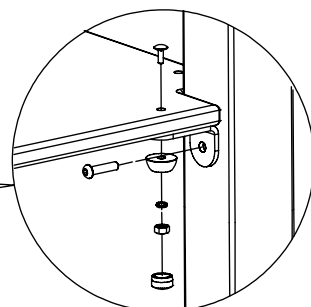
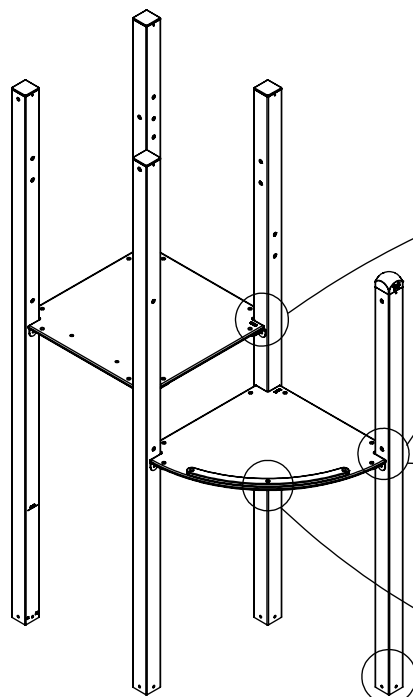
011230  
x1

ST/INOX		PLYWOOD / HDPE		HPL	
6x	E1	1x	CE3	1x	CL3
1x	E34 (K1, K3)	3x	CE4	3x	CL4
1x	E35 (K2)	1x	CE6	1x	CL6
	E37 (K2, K3)	1x	CE8	1x	CL8
1x	E38 (K2, K3)	1x	CE17	1x	CL17
3x	WD67	1x	CE111	1x	CL111
3x	WD68	1x	CE112	1x	CL112
1x	V001	1x	PS8	1x	PH8
		1x	PS9	1x	PH9
		1x	PS19 <sup>S1</sup>	1x	PH19 <sup>S1</sup>
		1x	PS41 <sup>S6</sup>	1x	PH41 <sup>S6</sup>
				1x	PH56

[cm]

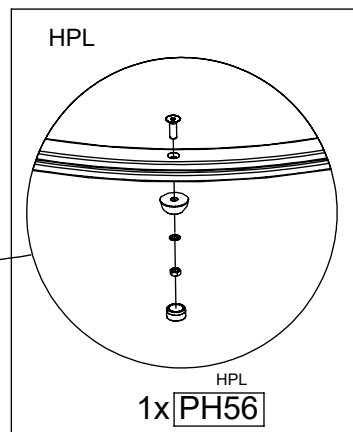
vinci  
play



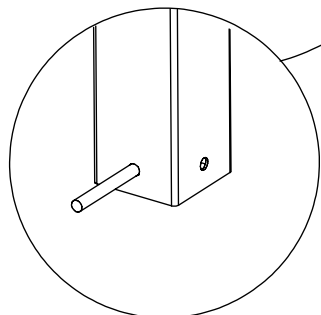


PLYWOOD HPL  
1x PS9 PH9

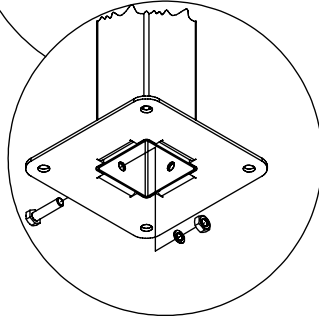
PLYWOOD HPL  
1x PS8 PH8



HPL  
1x PH56

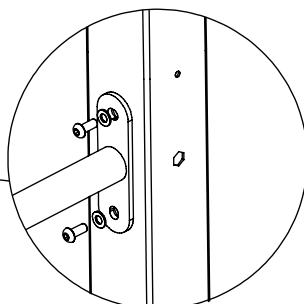
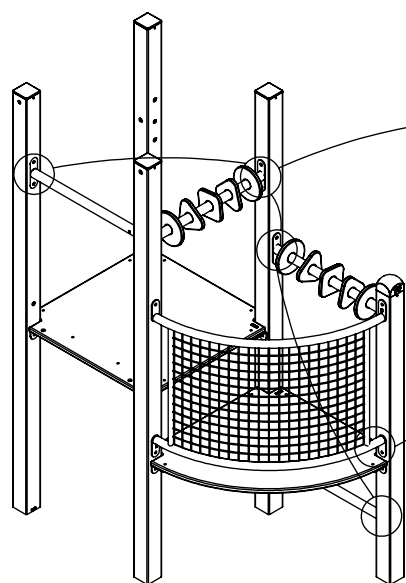


K1

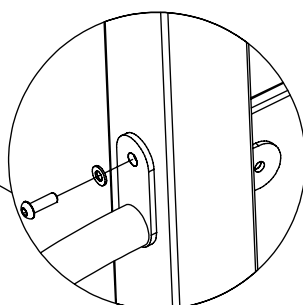


K2,K3

E37



4x E1



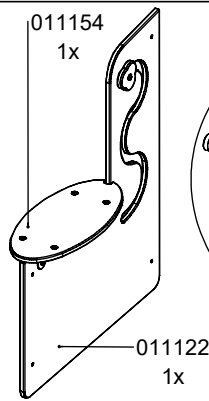
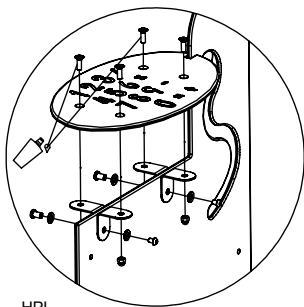
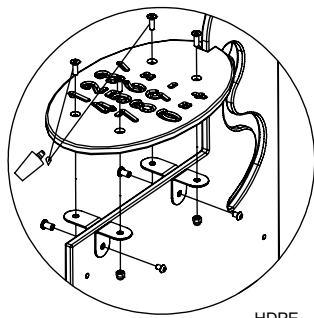
1x E1



[cm]

vinci play

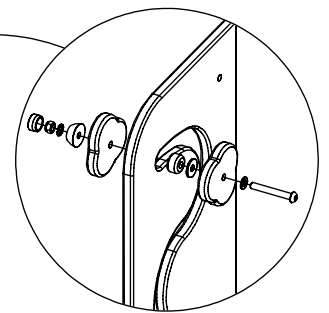
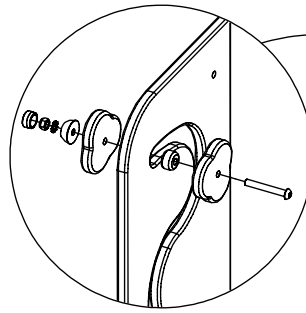




1x 

HDPE	CE6
------	-----

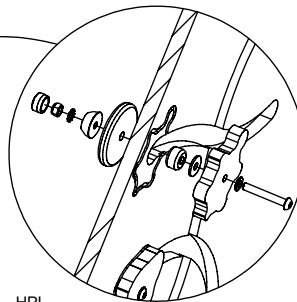
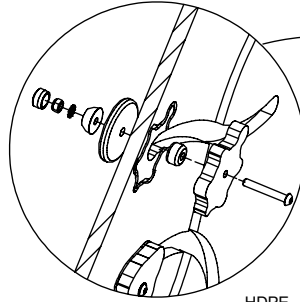
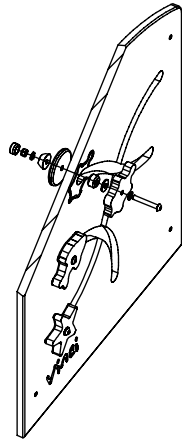
HPL	CL6
-----	-----



1x 

HDPE	CE17
------	------

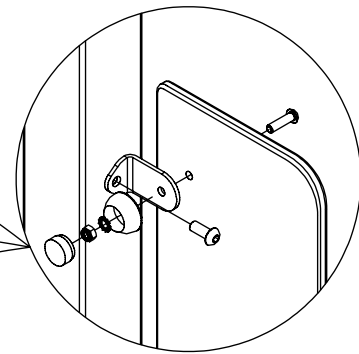
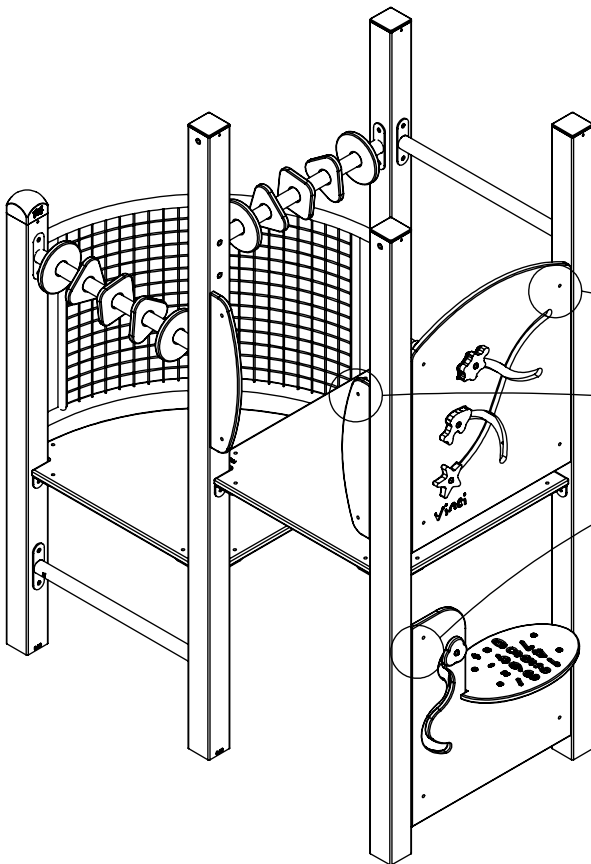
HPL	CL17
-----	------



1x 

HDPE	CE8
------	-----

HPL	CL8
-----	-----



3x 

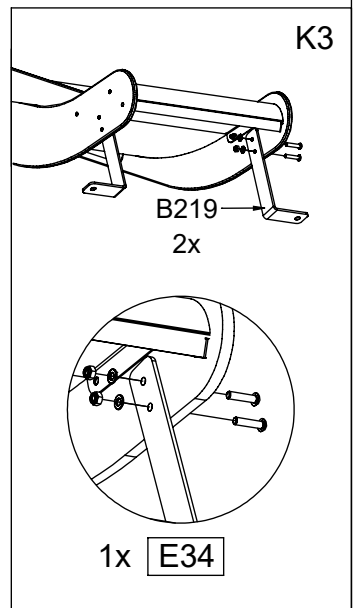
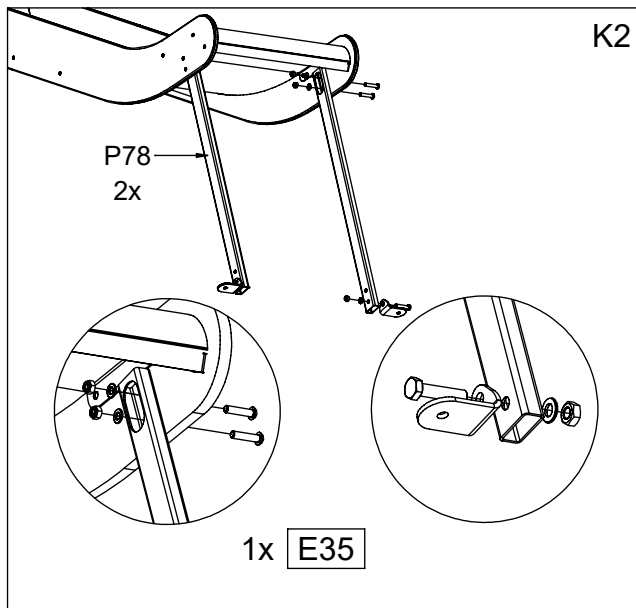
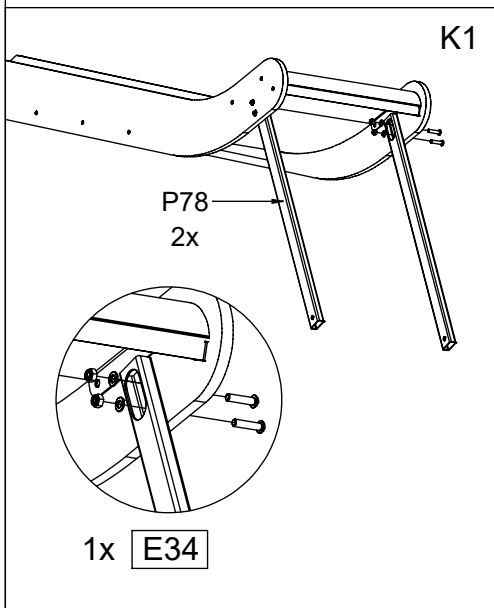
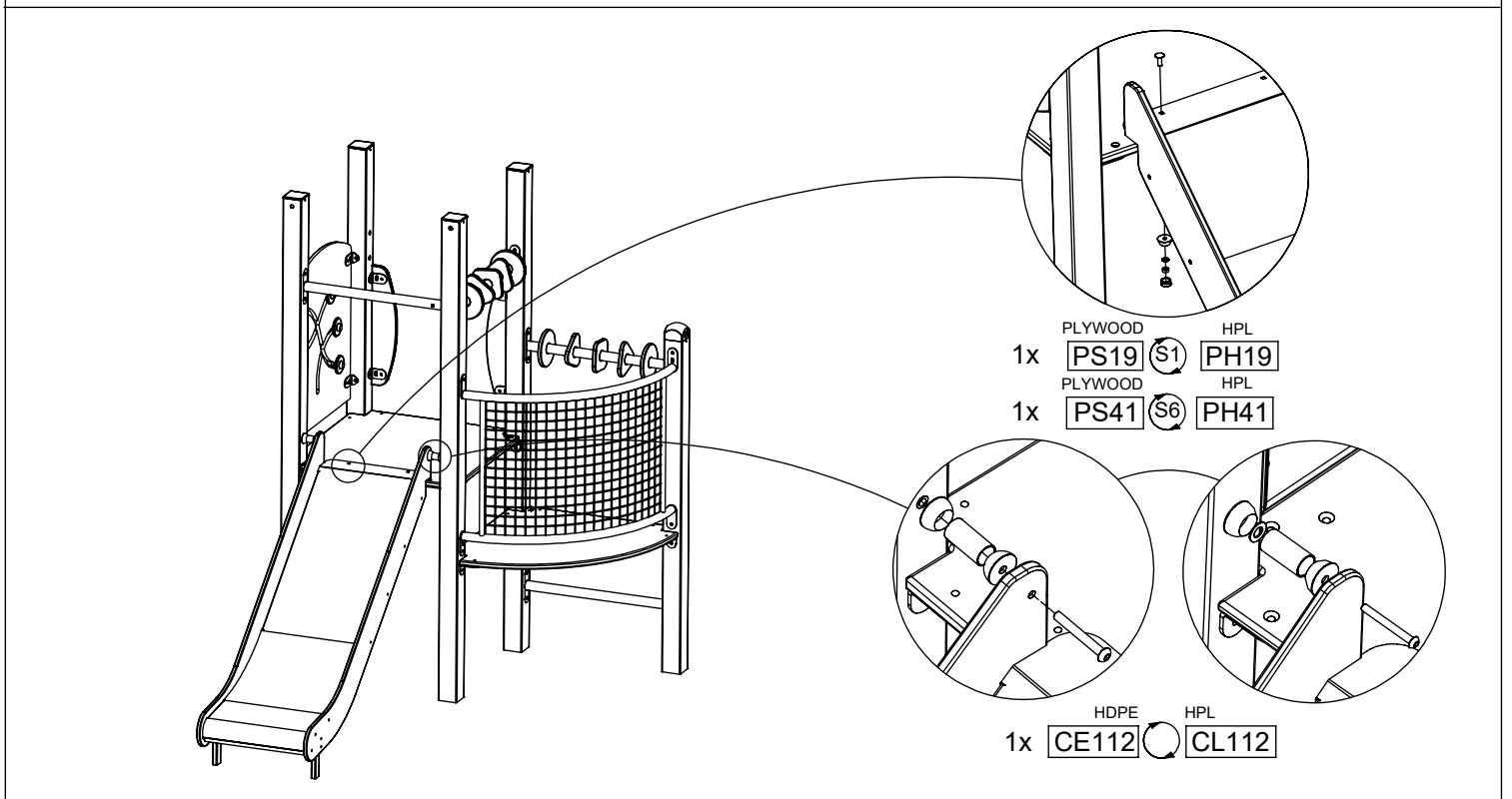
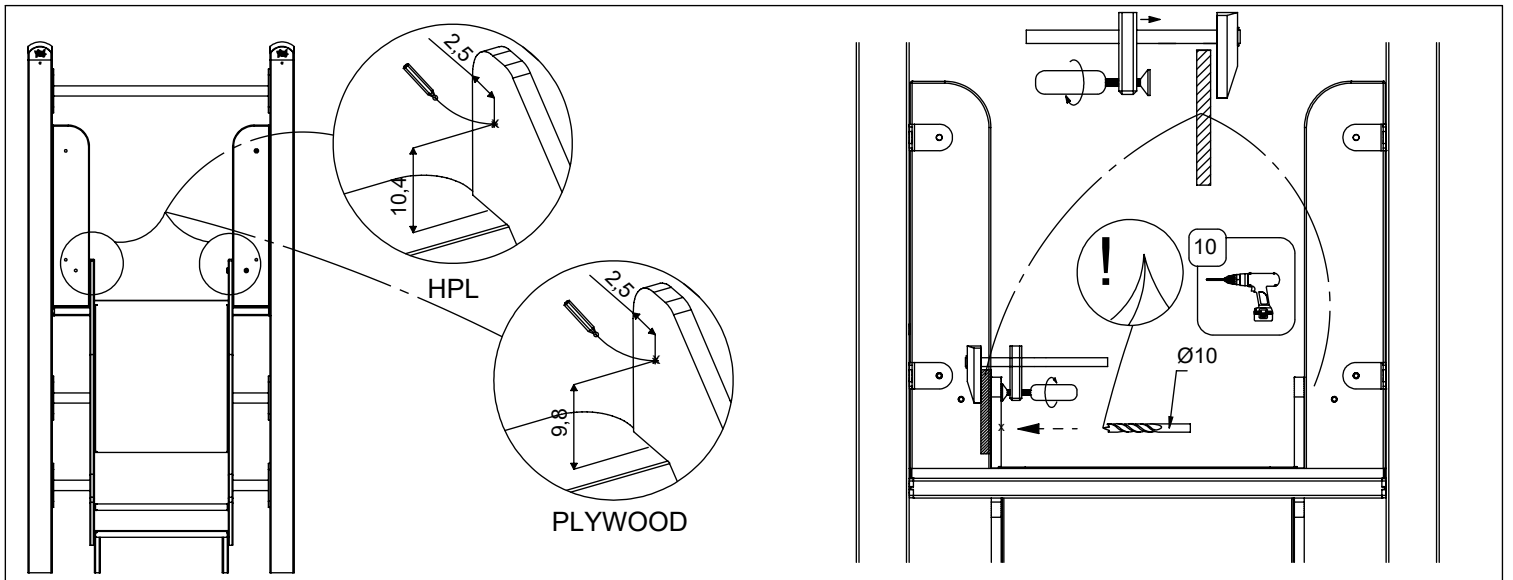
HDPE	CE4
------	-----

HPL	CL4
-----	-----

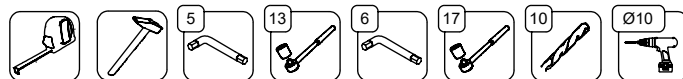
[cm]



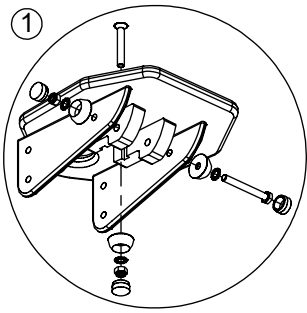
vinci play



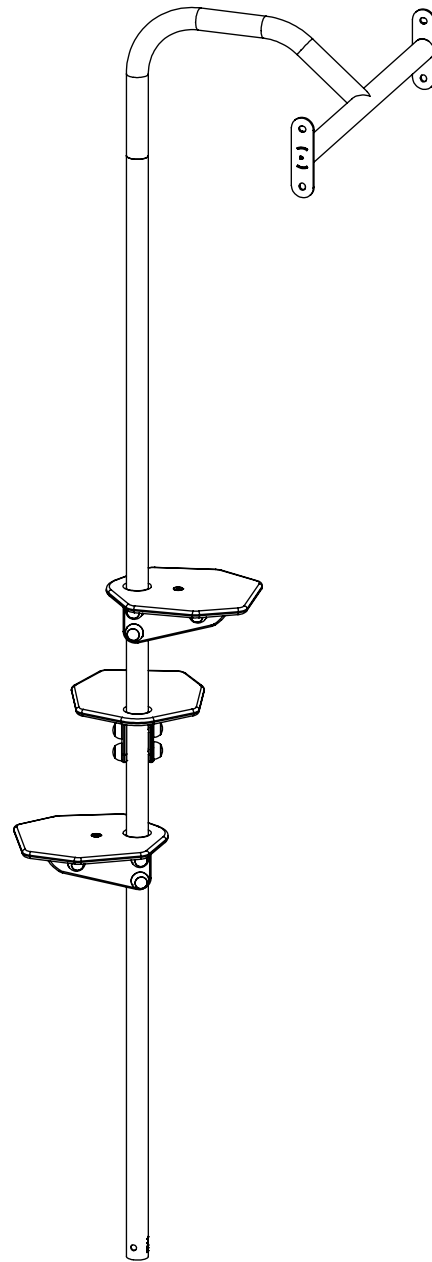
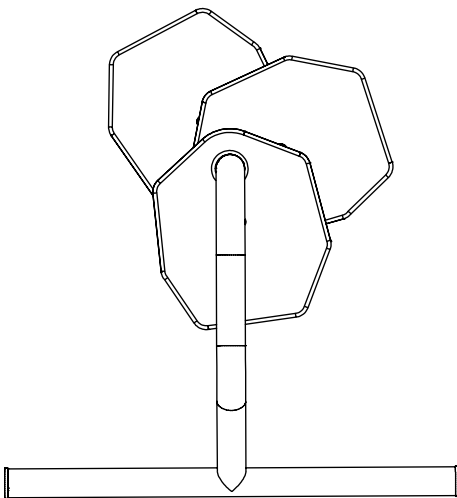
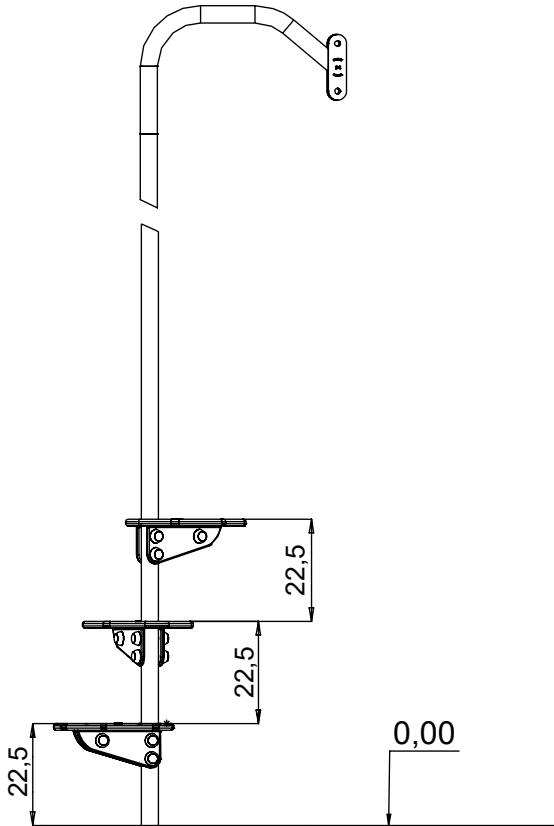
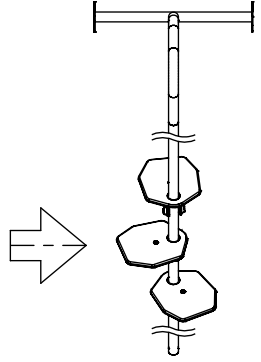
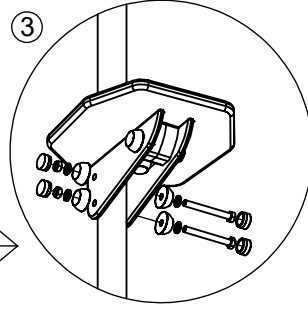
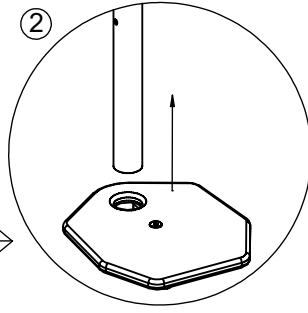
[cm]



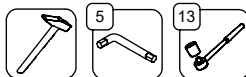
vinci  
play



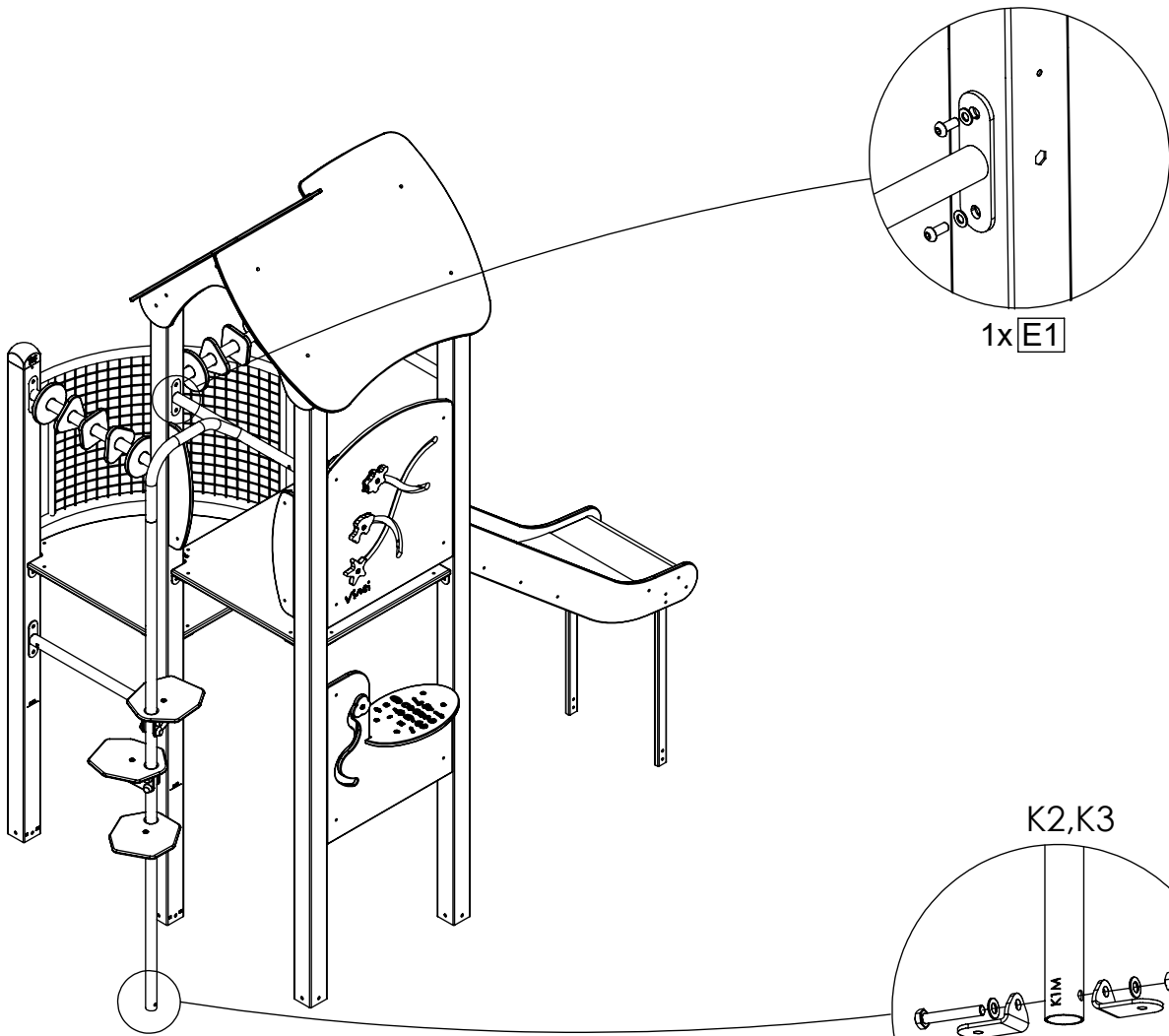
WD67 WD68



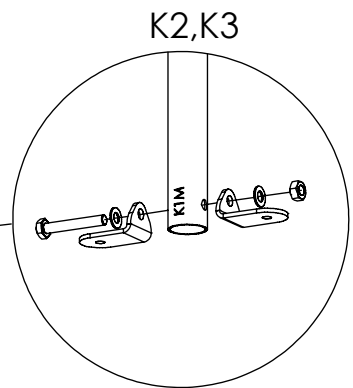
[cm]



vinci  
play

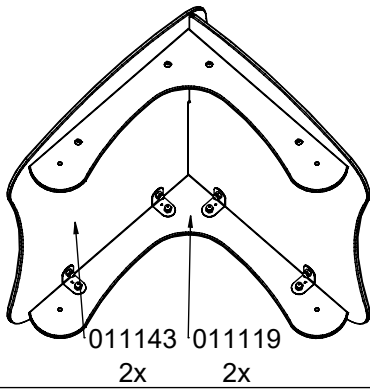


1x **E1**

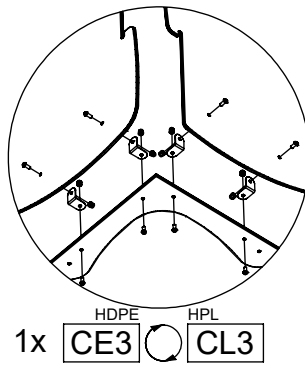


K2, K3

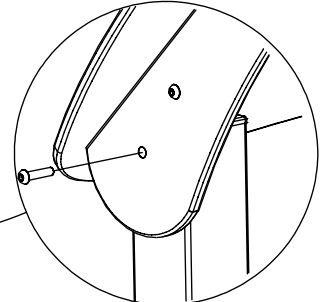
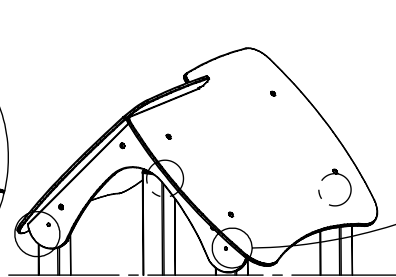
1 x **E38**



011143 011119  
2x 2x



HDPE HPL  
1x **CE3** **CL3**

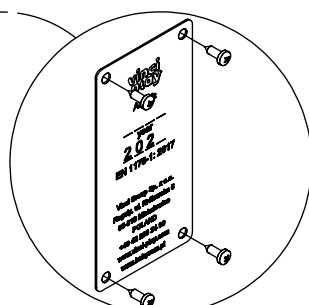
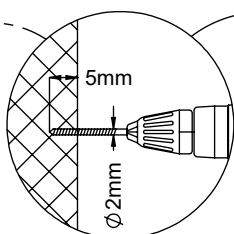
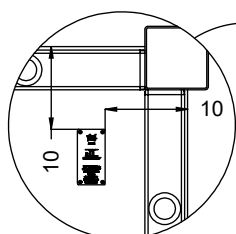
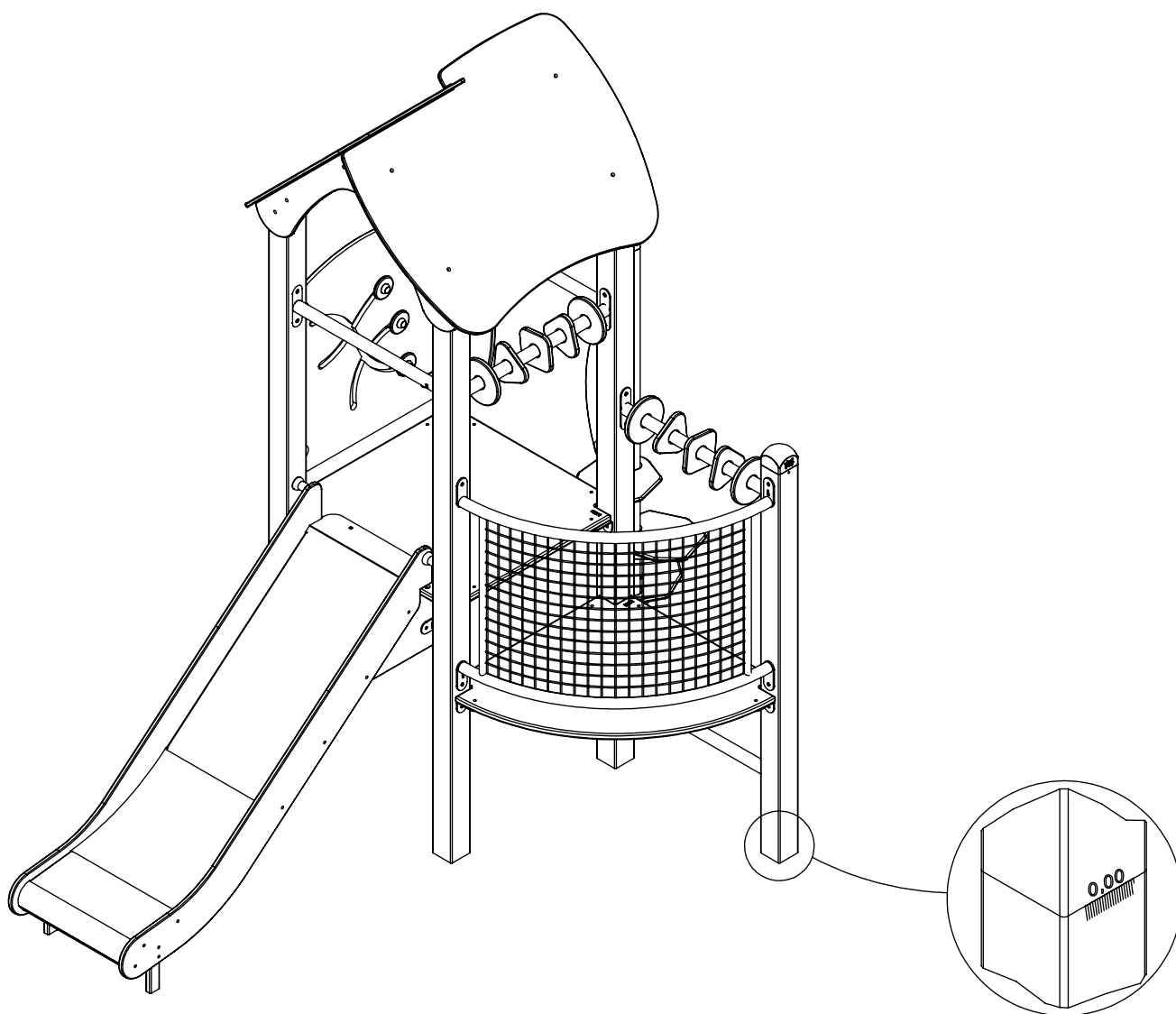


HDPE HPL  
1x **CE111** **CL111**

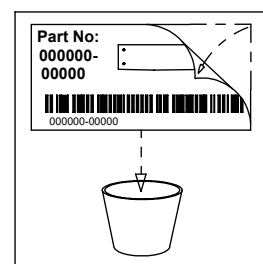
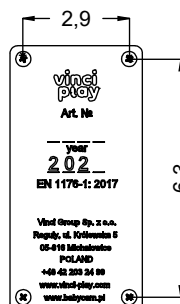
[cm]



vinci  
play



V001



[cm]



vinci  
play