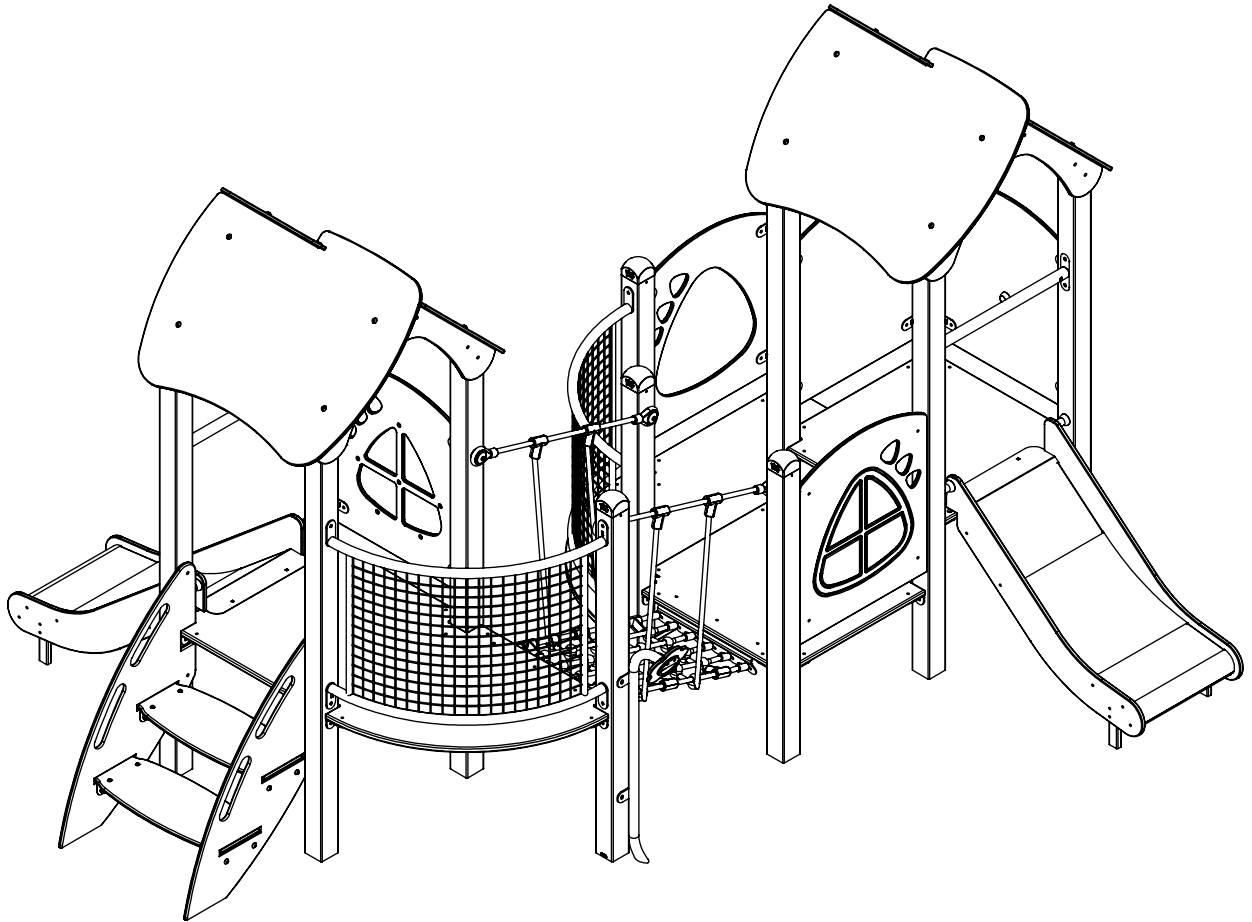
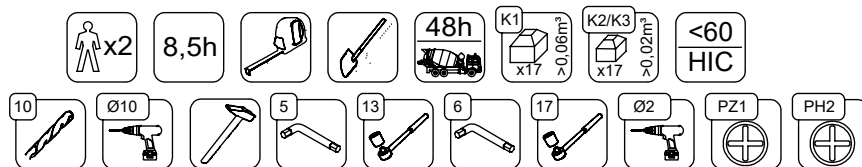


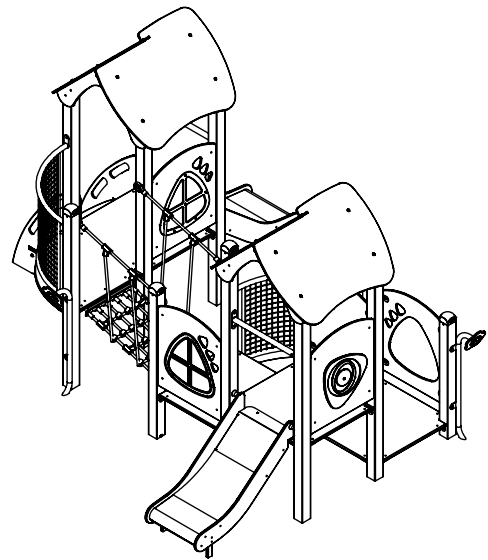
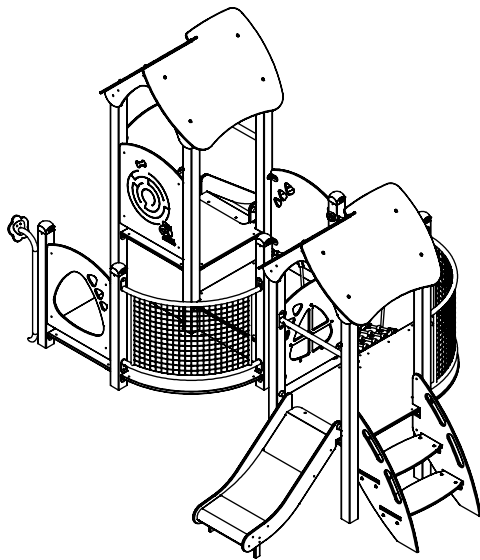
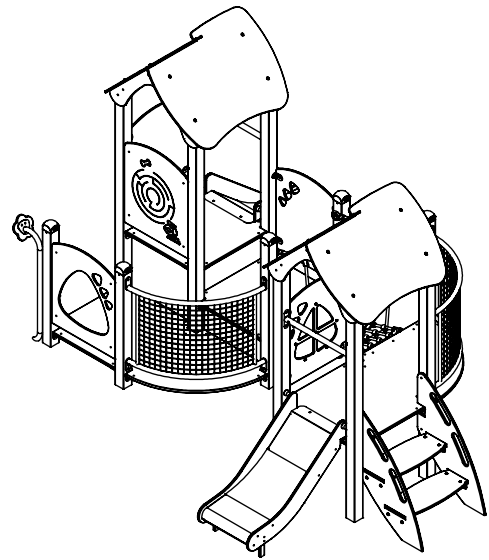
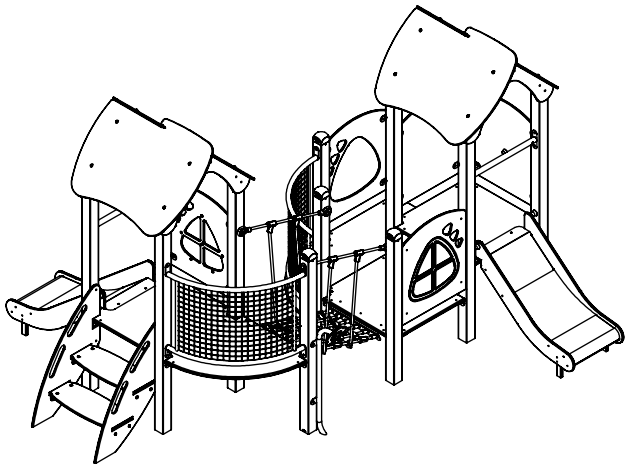
0109-1



v012
01.02.2022
A. D.
[cm]



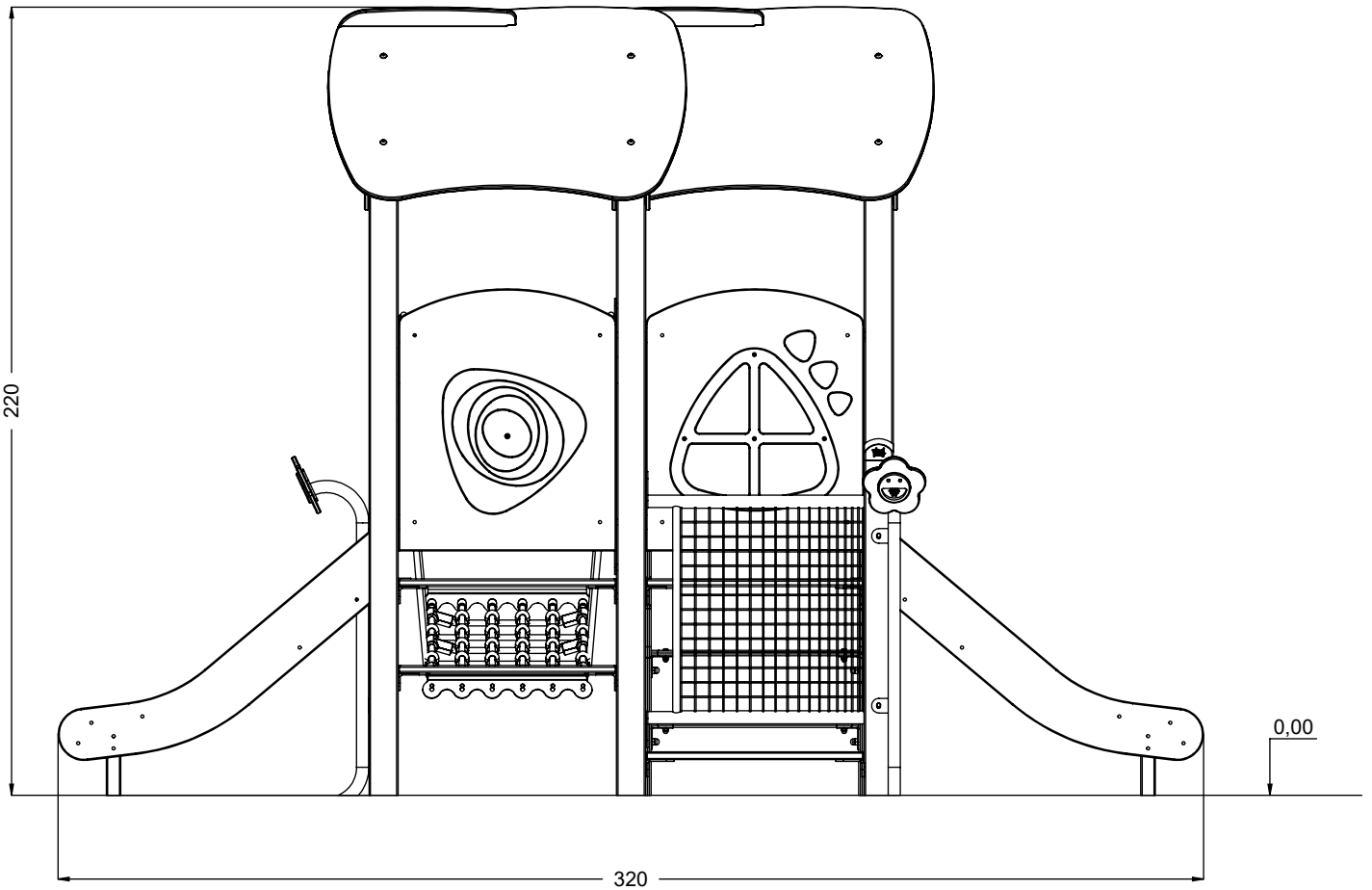
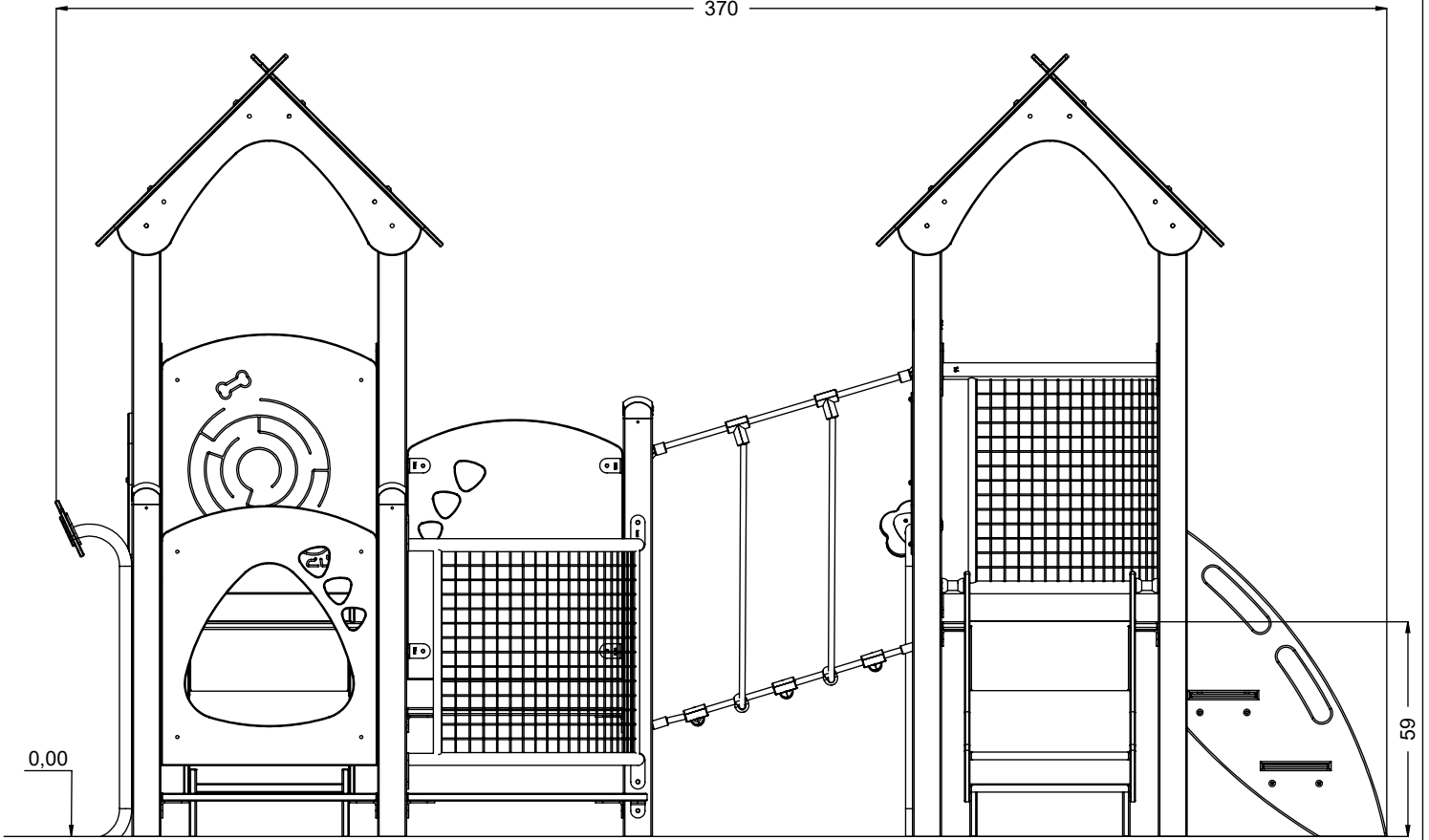
vinci
play



[cm]

vinci
play

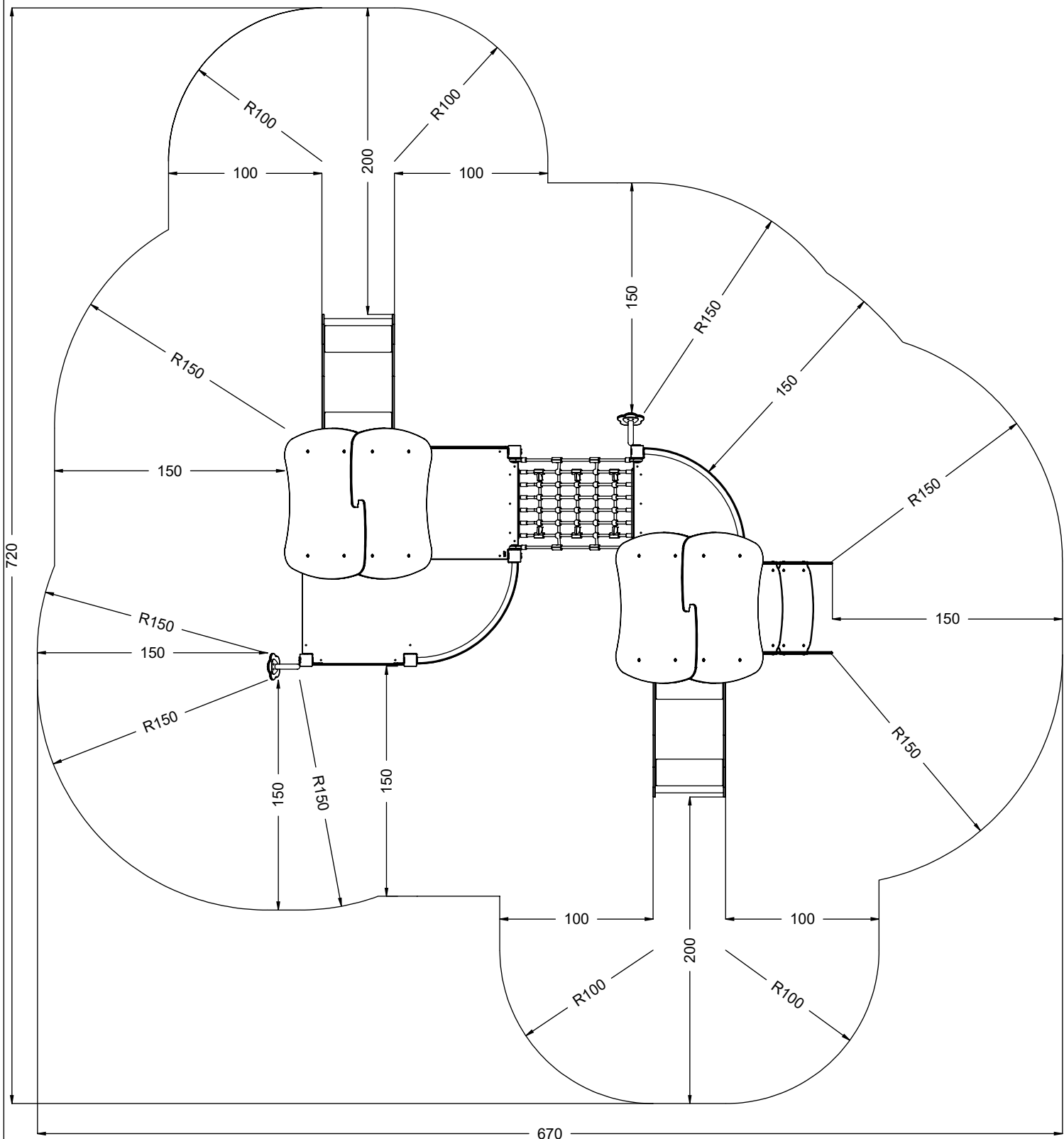
370



[cm]



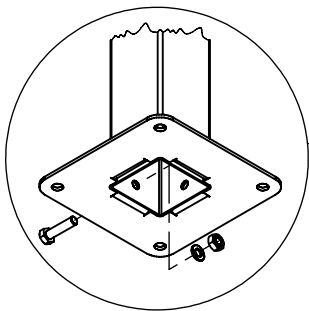
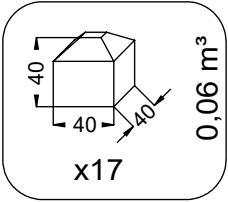
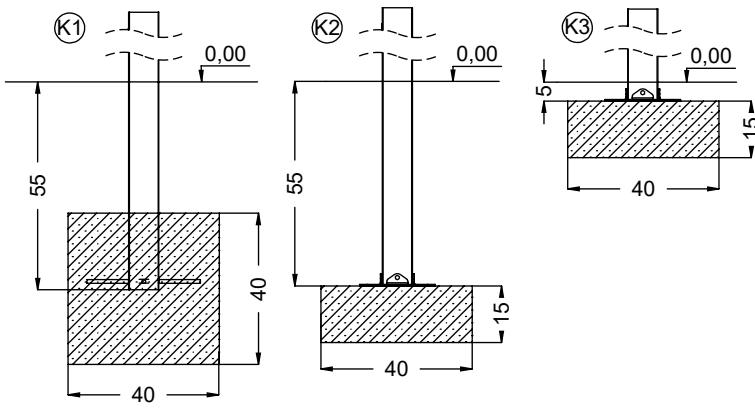
vinci
play



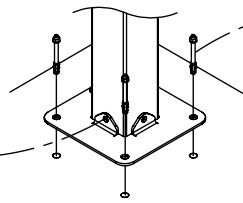
[cm]



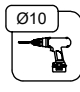
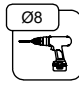




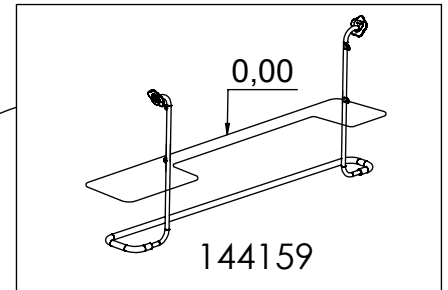
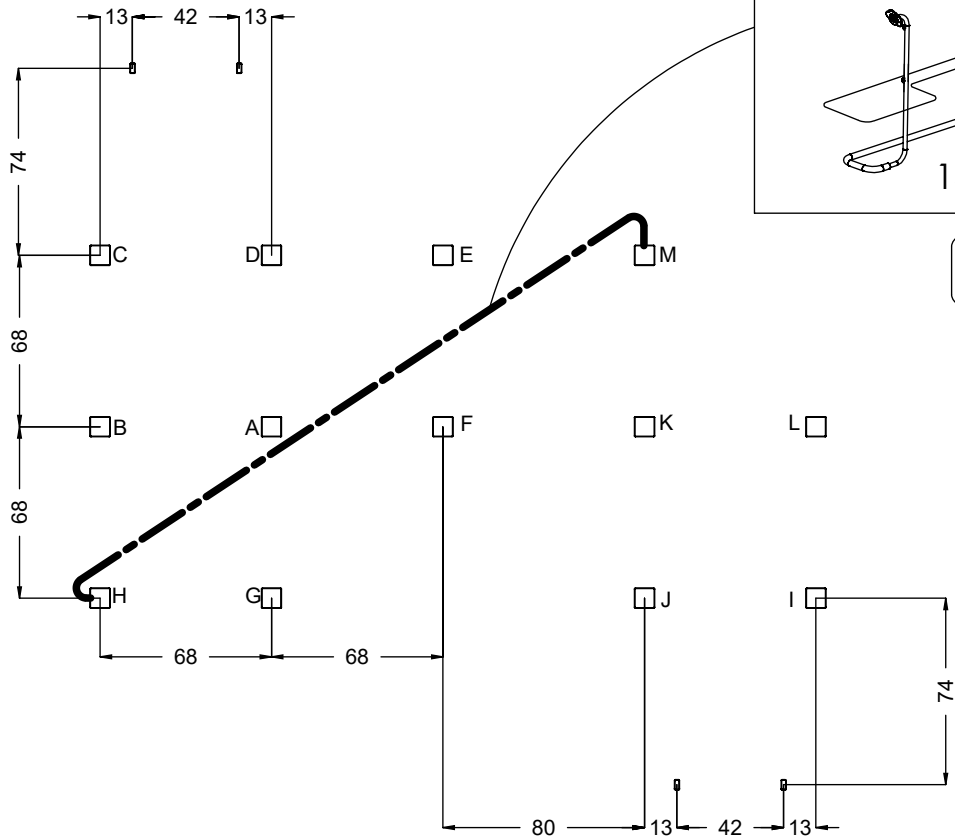
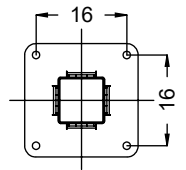
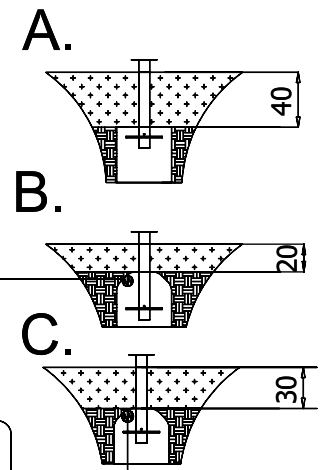
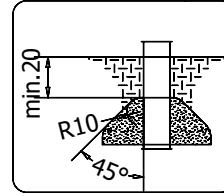
vinci
play



E37



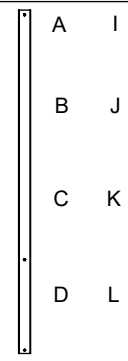
52x M10x120 (K2)	4x M8x120 (K2)
56x M10x120 (K3)	
	
	
NOT INCLUDED 	NOT INCLUDED 



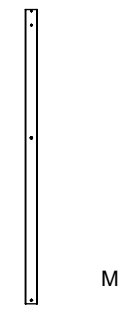
[cm]

 x2	8,5h			48h	 K1 x17 >0,06m³	 K2/K3 x17 >0,02m³
--	------	---	---	-----	--	--

vinci play



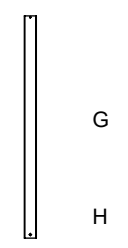
109



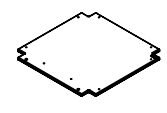
109



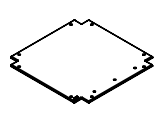
109



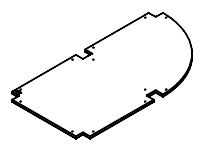
109



011226
x1



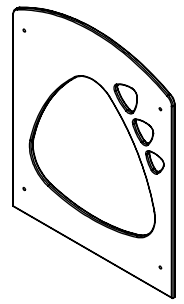
011229
x1



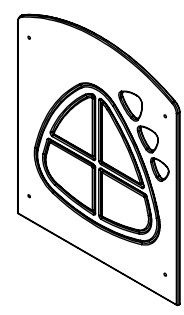
011227
x1



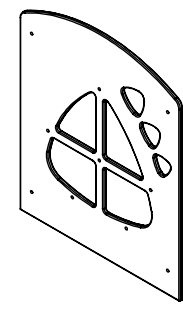
011181
x1



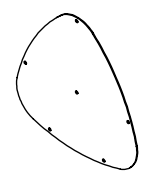
011106
x1



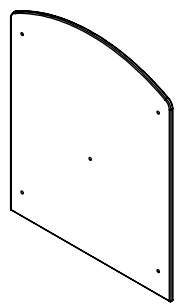
011105
x1



011103
x1



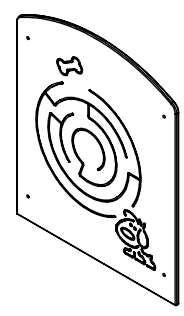
011118
x1



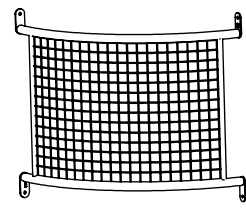
011124
x1



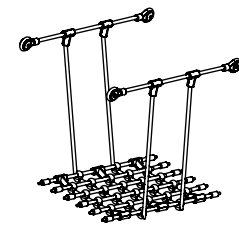
011157
x1



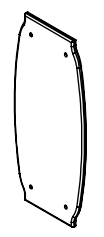
011102
x1



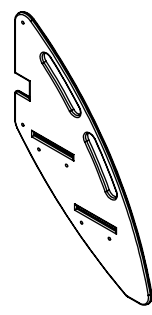
012100
x2



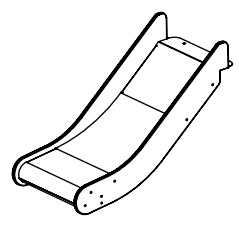
015116
x1



011126
x2



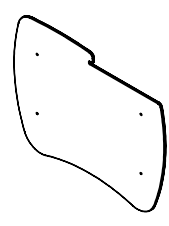
011129
x2



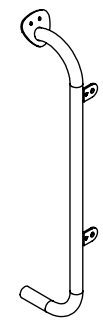
994146
x2



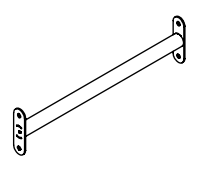
011119
x4



011143
x4



142121
x2



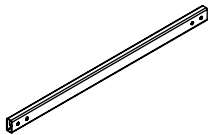
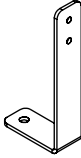


012101
x2



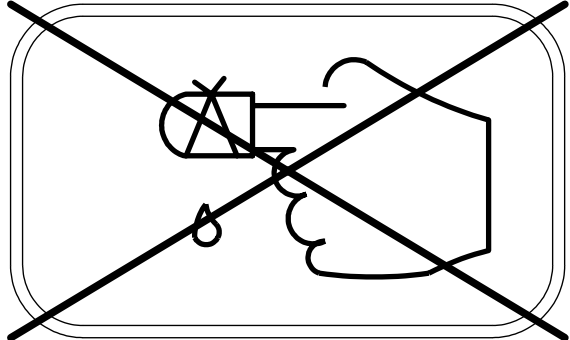
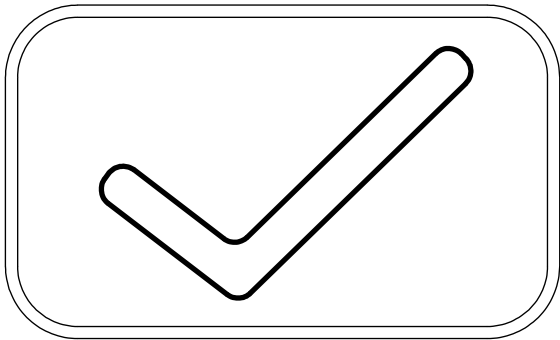
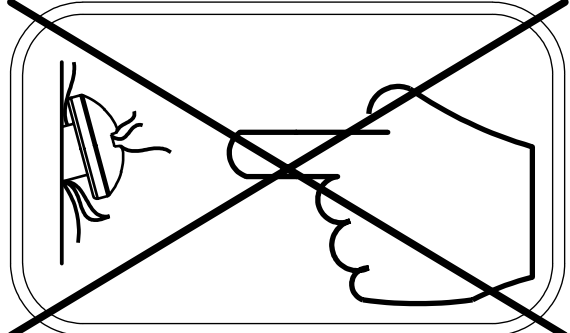
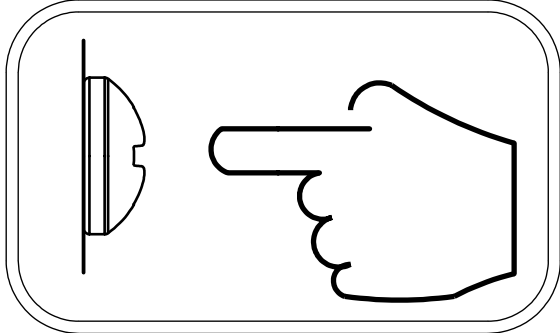
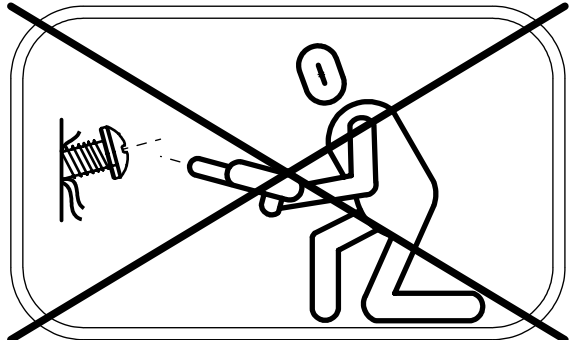
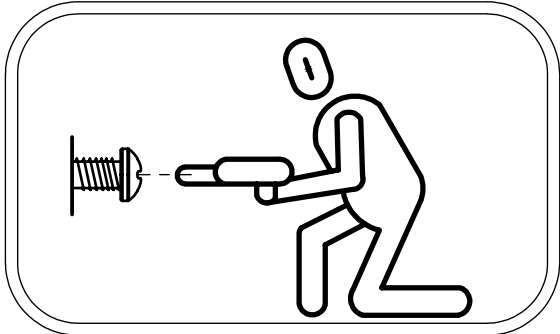
996115
x1

[cm]

vinci
play

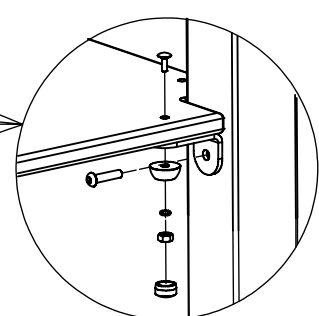
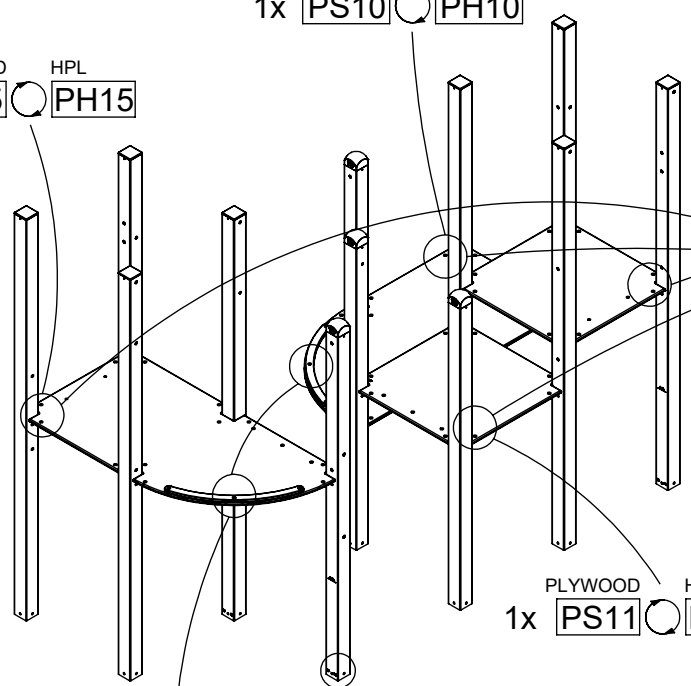
<p>K1,K2</p>  <p>p78 x4</p>	<p>K3</p>  <p>b-219-2 x4</p>	<p>K2, K3</p>  <p>B231 x13</p>	<p>HPL</p>  <p>011230 x2</p>
--	---	---	--

ST/INOX		PLYWOOD / HDPE		HPL	
4x	E1	5x	CE1	5x	CL1
1x	E12	2x	CE3	2x	CL3
1x	E13	1x	CE7	1x	CL7
	E37 (K2, K3)	1x	CE11	1x	CL11
2x	E34 (K1, K3)	1x	CE33	1x	CL33
2x	E35 (K2)	2x	CE93	2x	CL93
1x	Z15	2x	CE111	2x	CL111
1x	V001	2x	CE112	2x	CL112
1x	i27-5	1x	PS9	1x	PH9
1x	i28-5	1x	PS10	1x	PH10
		1x	PS11	1x	PH11
		1x	PS15	1x	PH15
		2x	PS19 ^{S1}	2x	PH19 ^{S1}
		2x	PS41 ^{S6}	2x	PH41 ^{S6}
				2x	PH56
		2x	PS58	2x	PH58



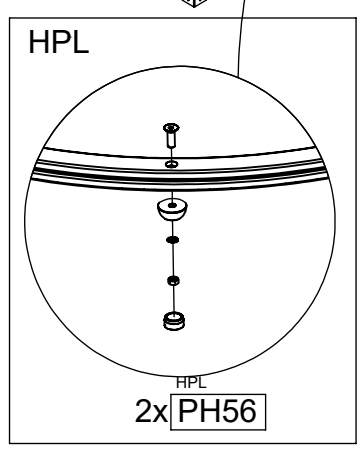
PLYWOOD HPL
1x PS10 PH10

PLYWOOD HPL
1x PS15 PH15

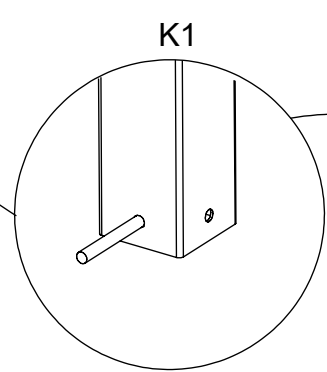


PLYWOOD HPL
1x PS9 PH9

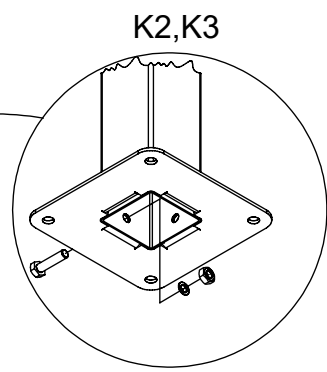
PLYWOOD HPL
1x PS11 PH11



HPL
2x PH56

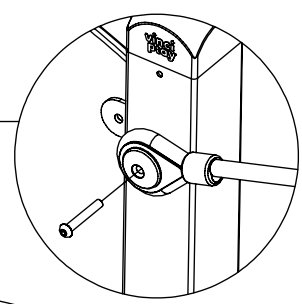
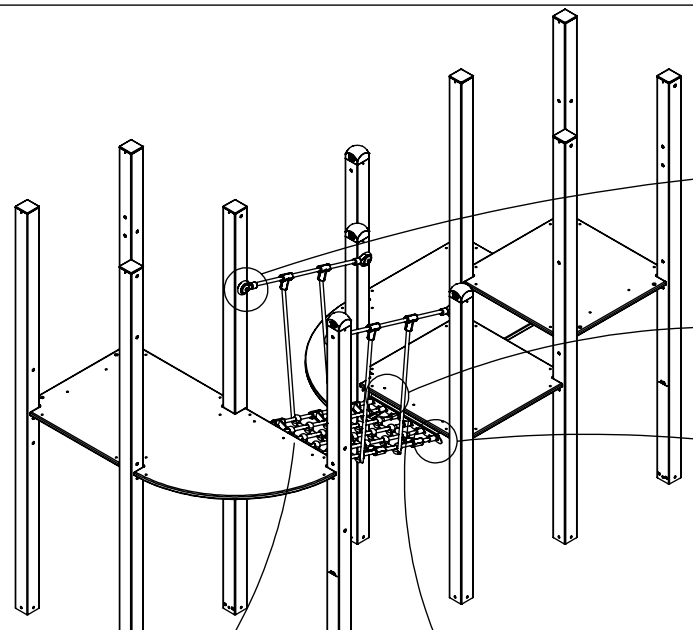


K1

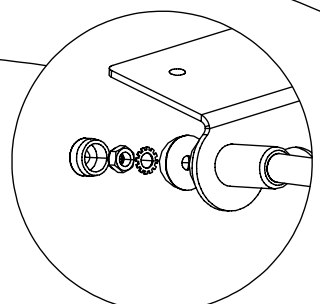


K2, K3

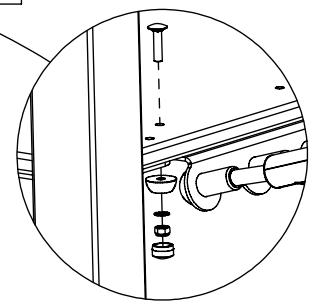
E37



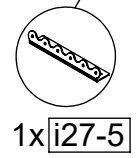
1x E13



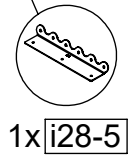
1x E12



PLYWOOD HPL
2x PS58 PH58



1x i27-5

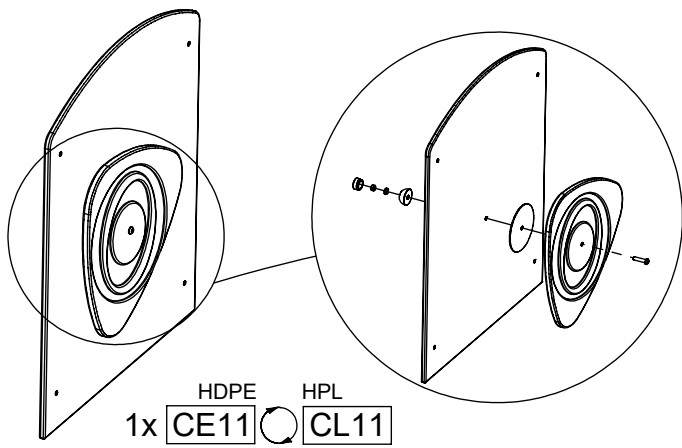


1x i28-5

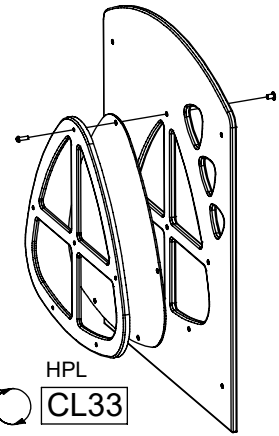


[cm]

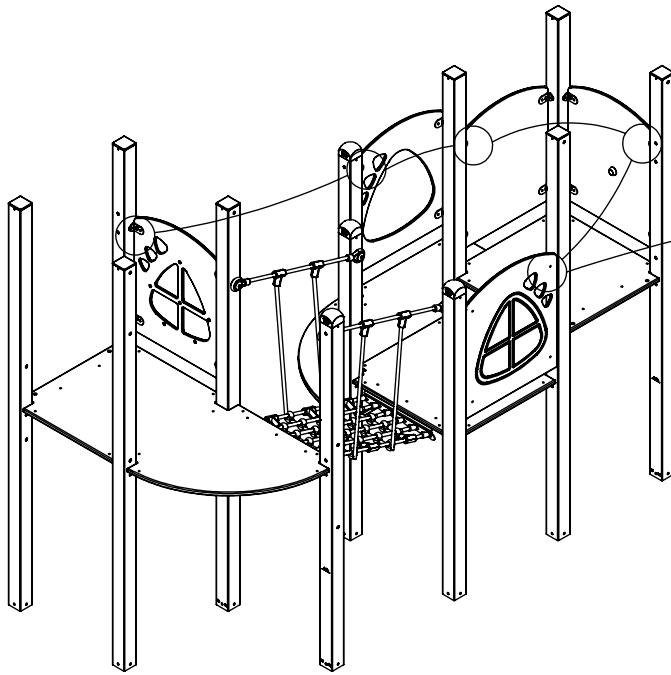
vinci play



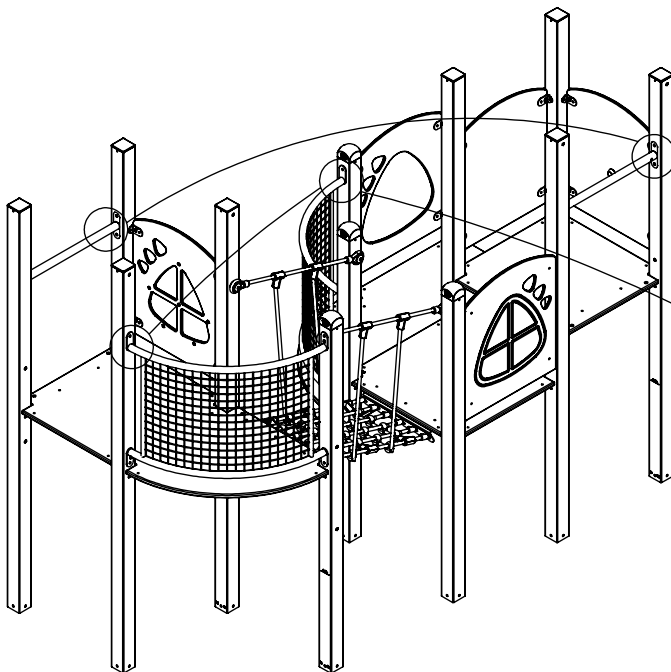
HDPE HPL
1x **CE11** ○ **CL11**



HDPE HPL
1x **CE33** ○ **CL33**



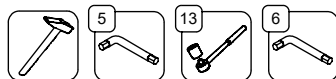
PLYWOOD HPL
5x **CE1** ○ **CL1**



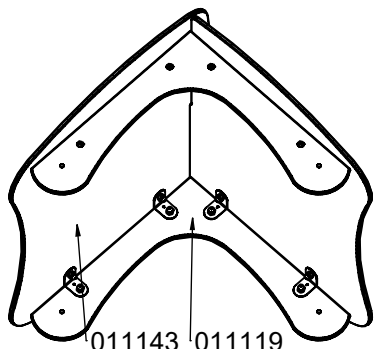
2x **E1**

2x **E1**

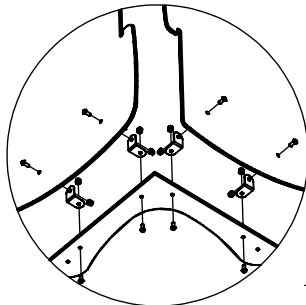
[cm]



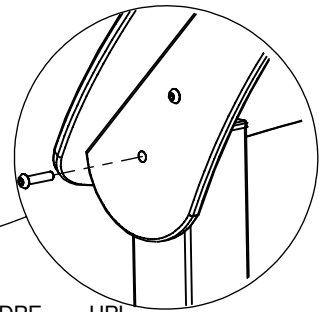
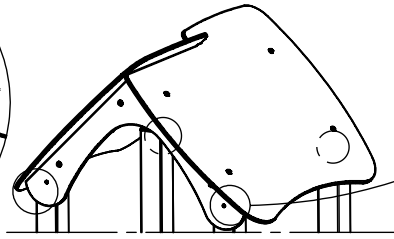
vinci
play




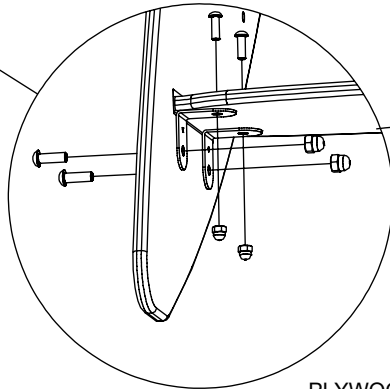
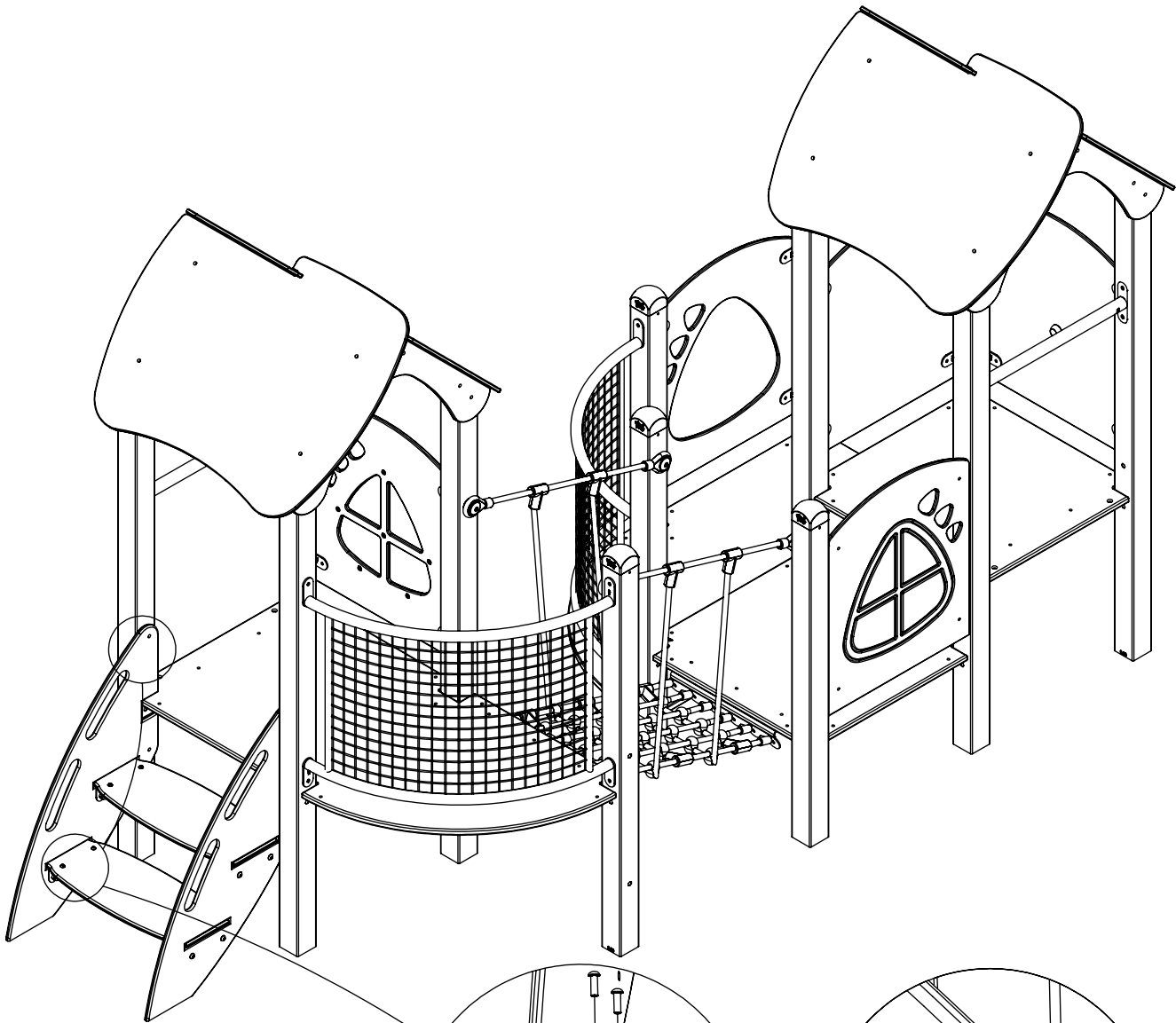
011143 011119
2x 2x



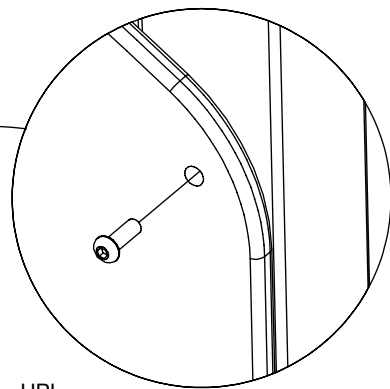
HDPE HPL
1x **CE3**  **CL3**



HDPE HPL
1x **CE11**  **CL11**

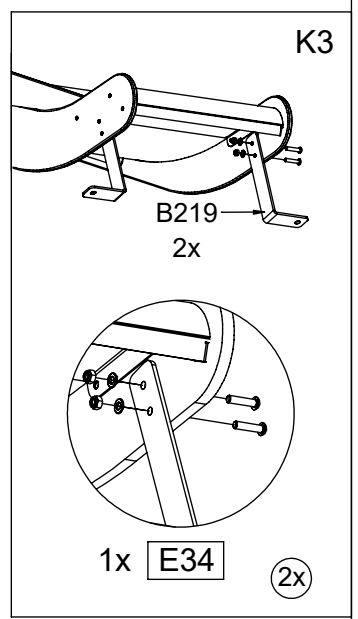
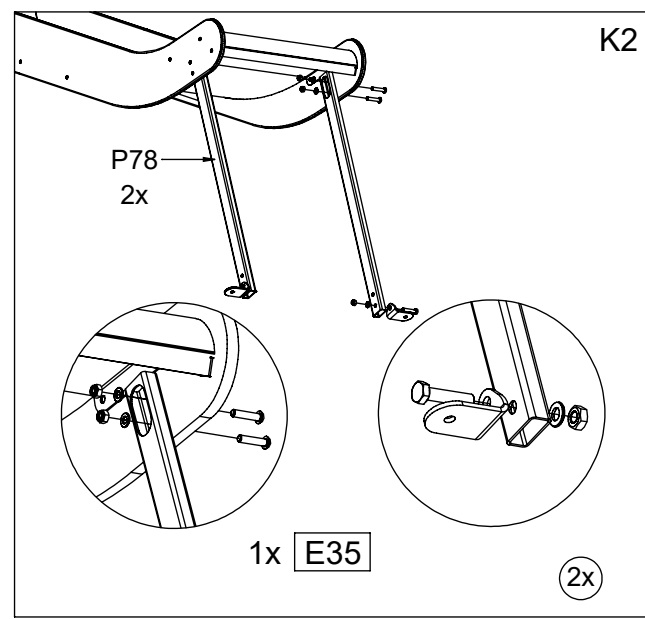
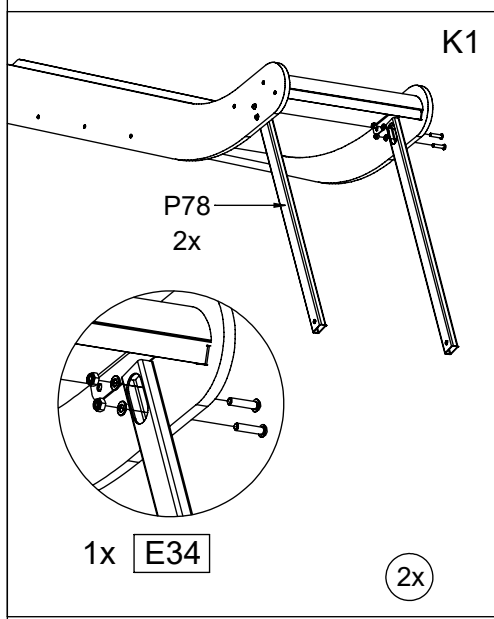
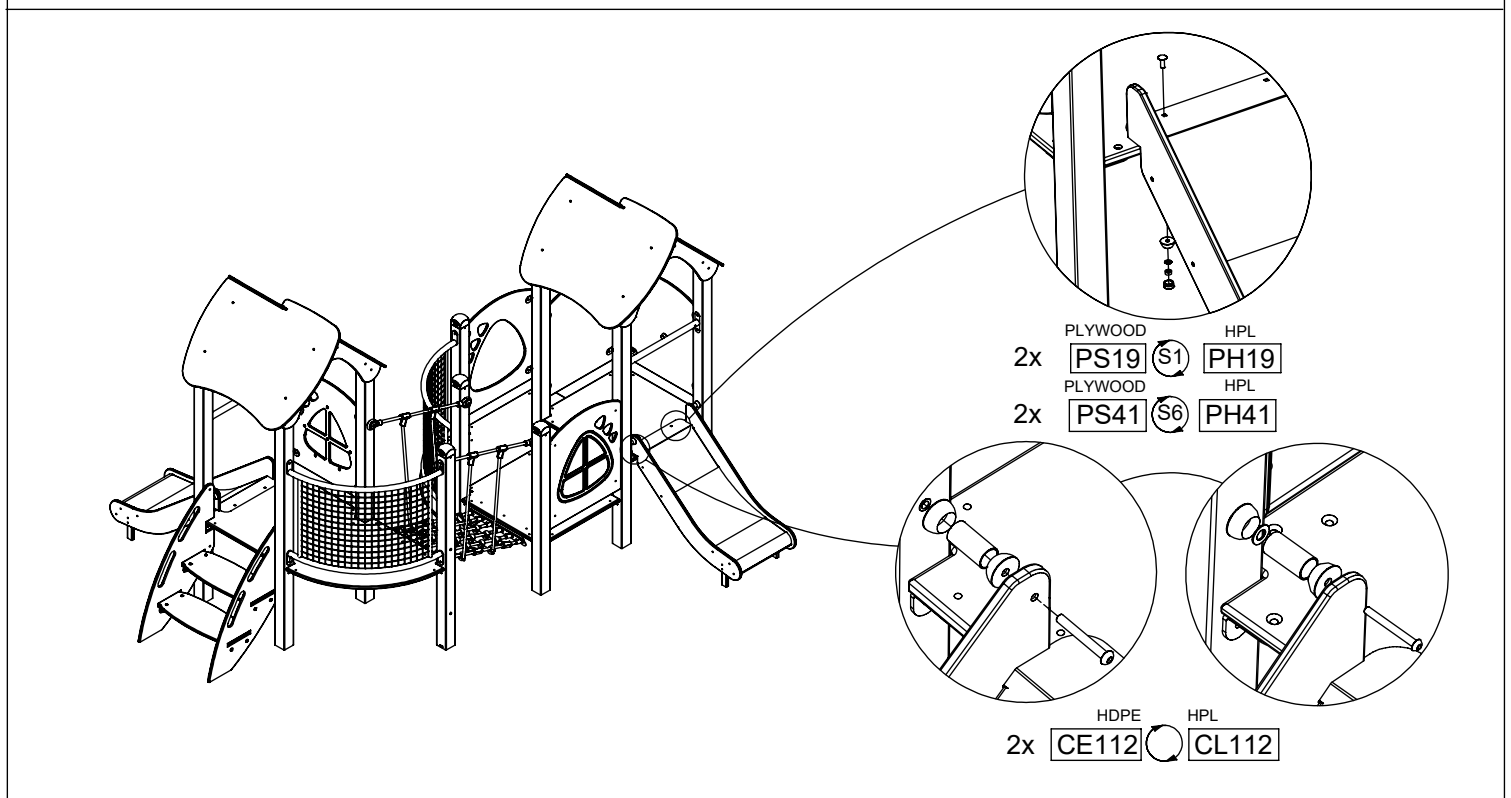
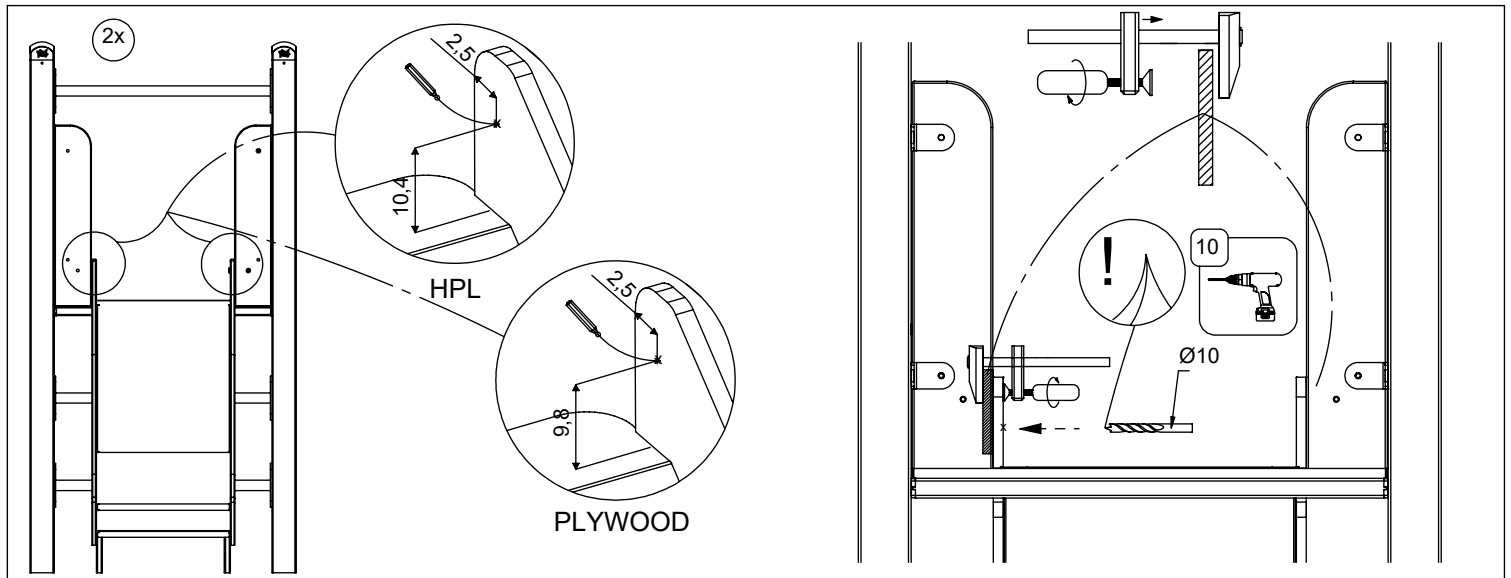


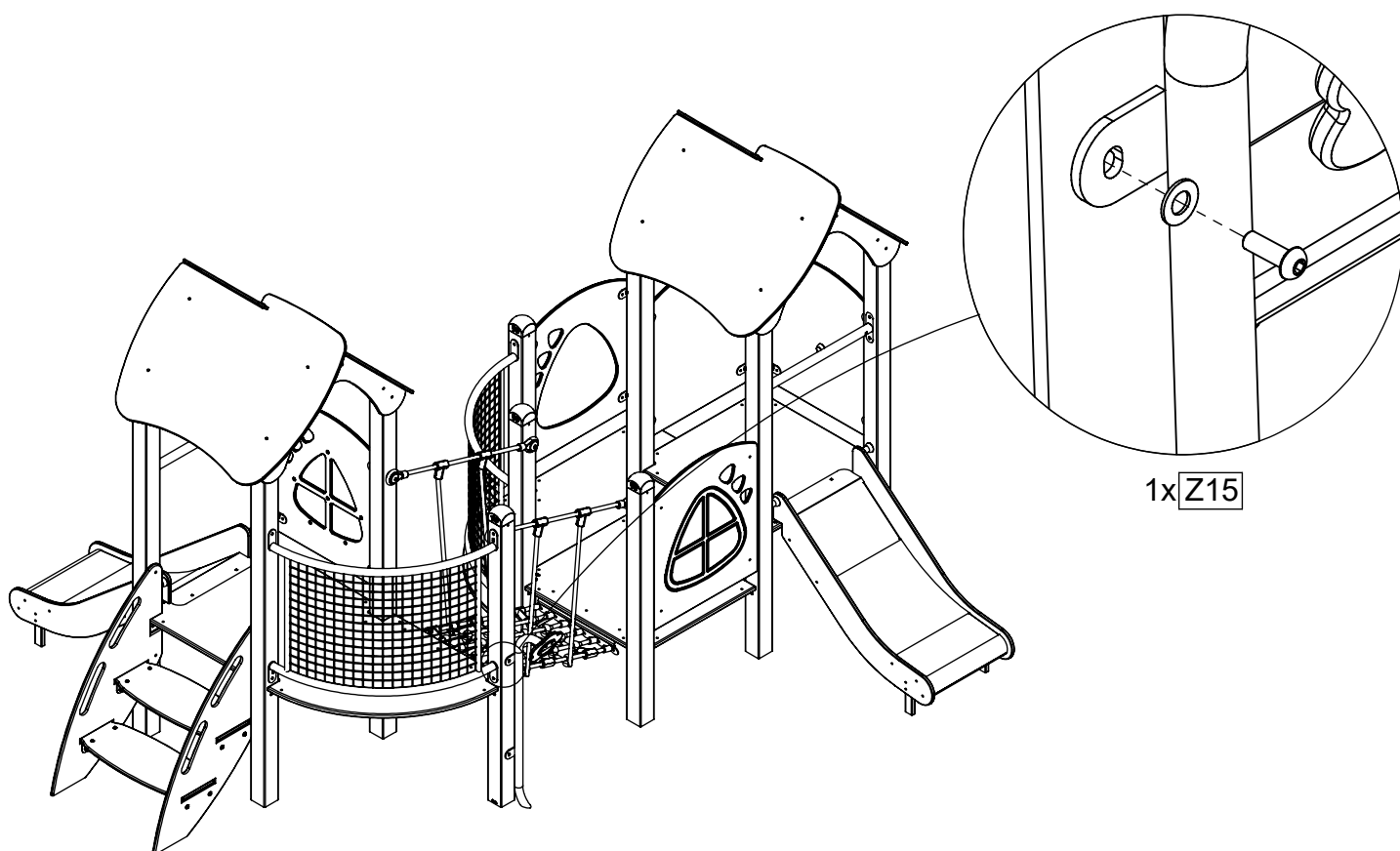
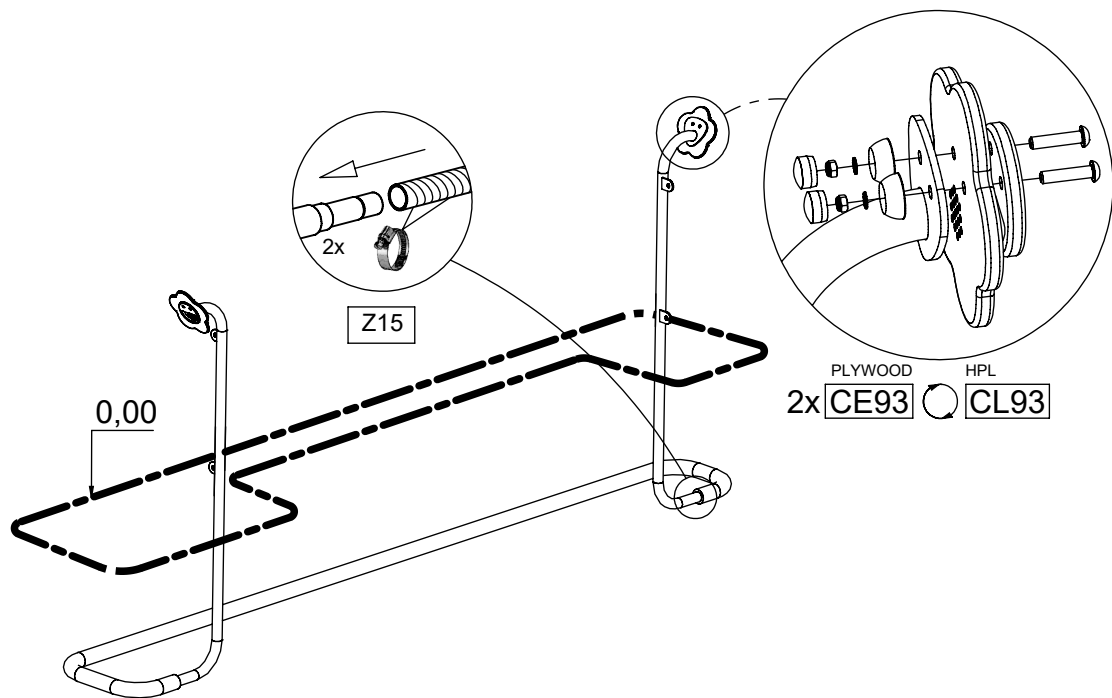
PLYWOOD HPL
1x **CE7**  **CL7**



[cm]

vinci
play

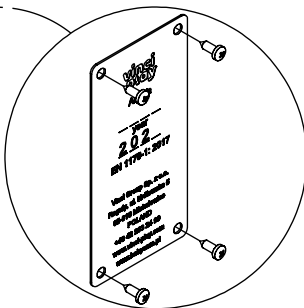
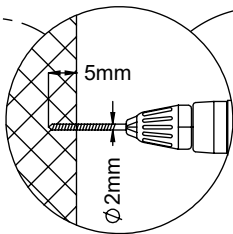
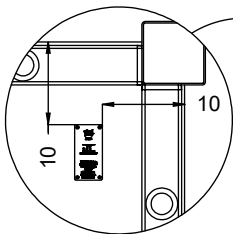
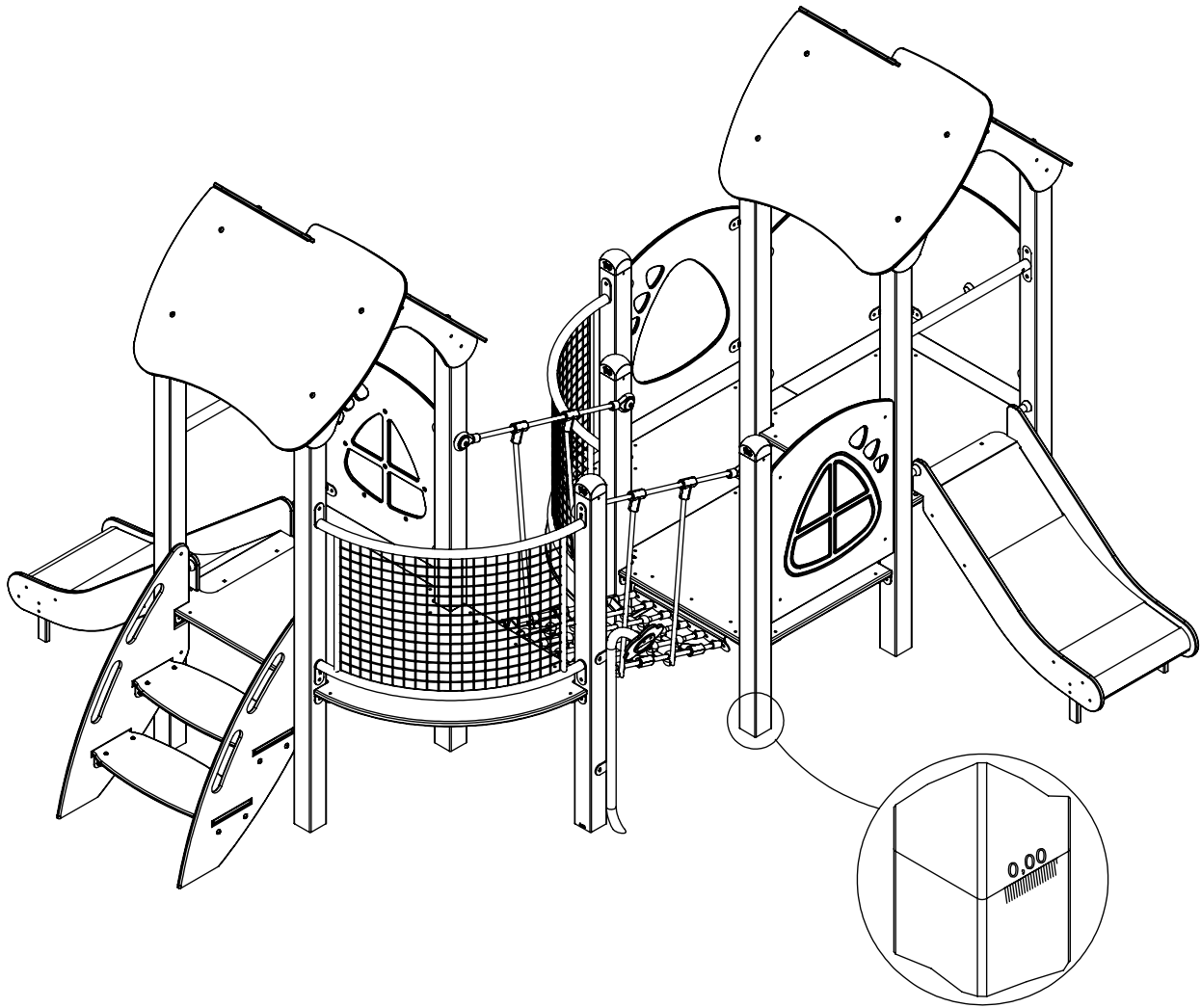




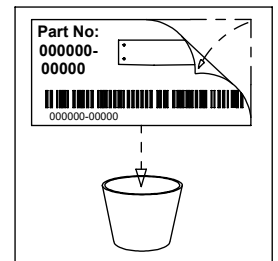
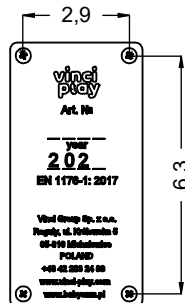
[cm]



vinci
play



V001



[cm]



vinci
play