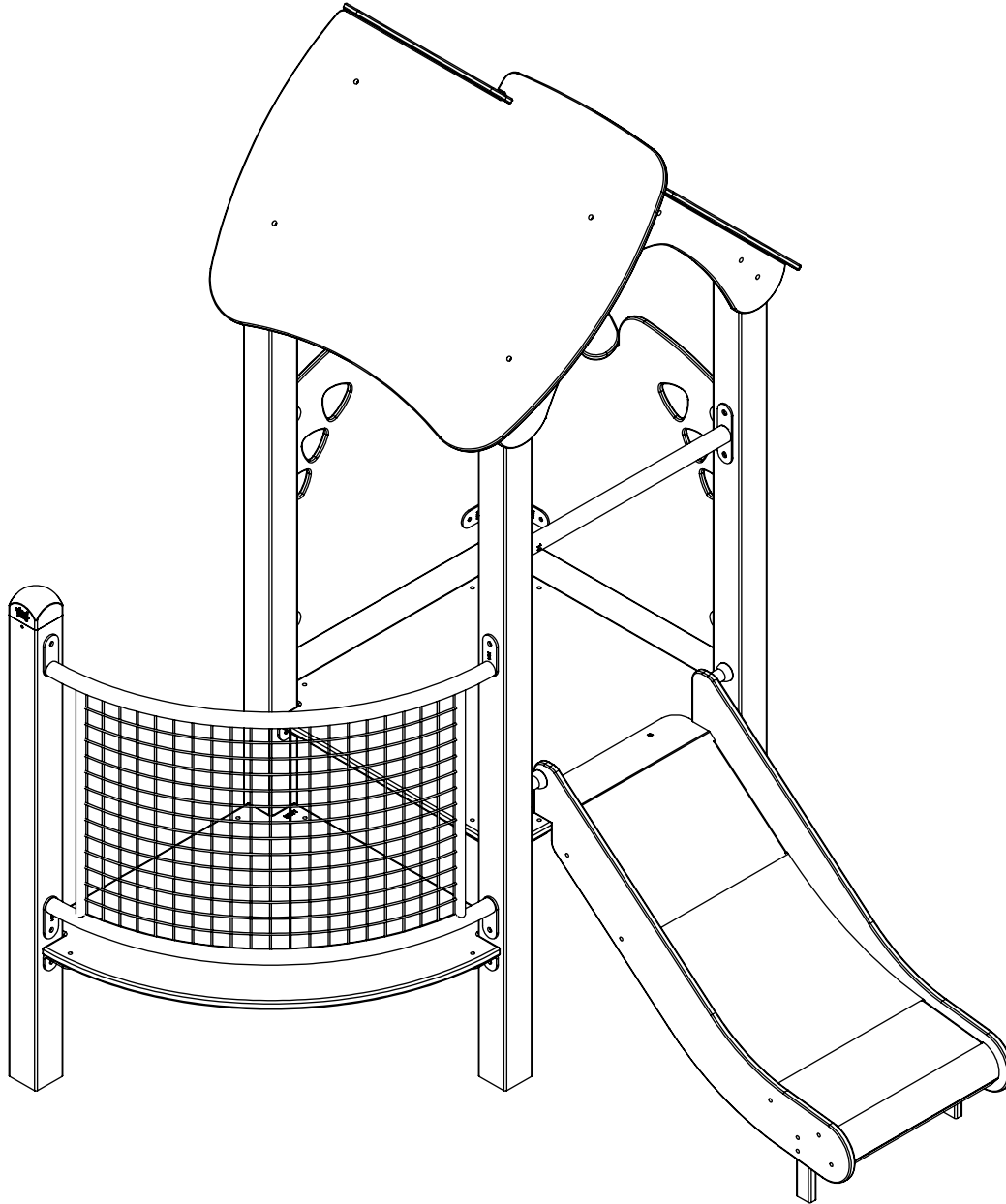
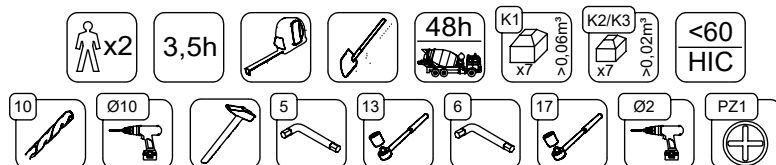


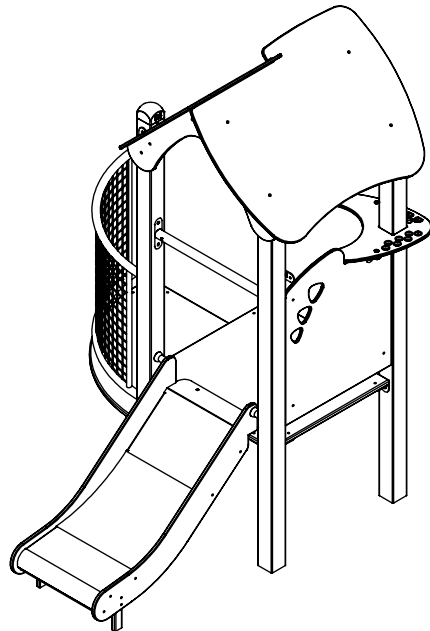
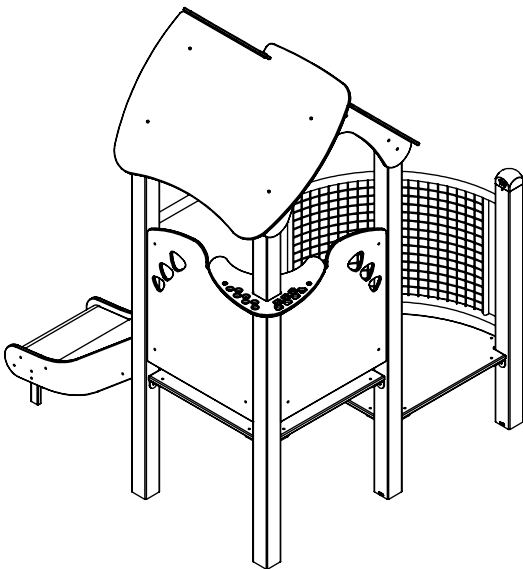
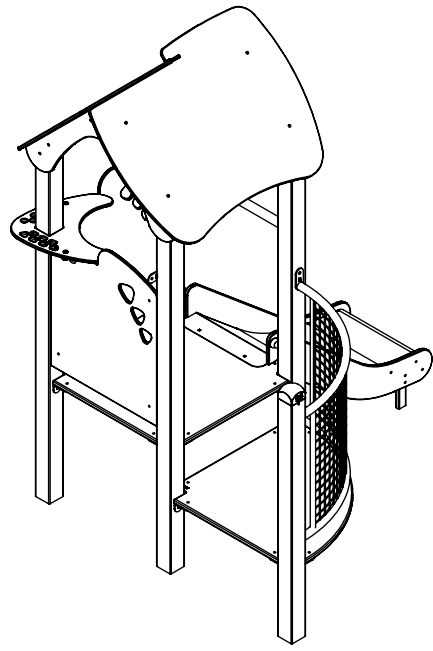
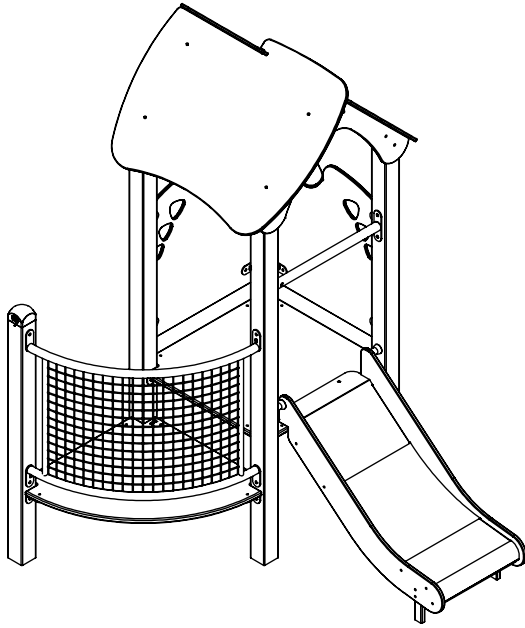
# 0105



v012  
28.01.2022  
A. D.  
[cm]

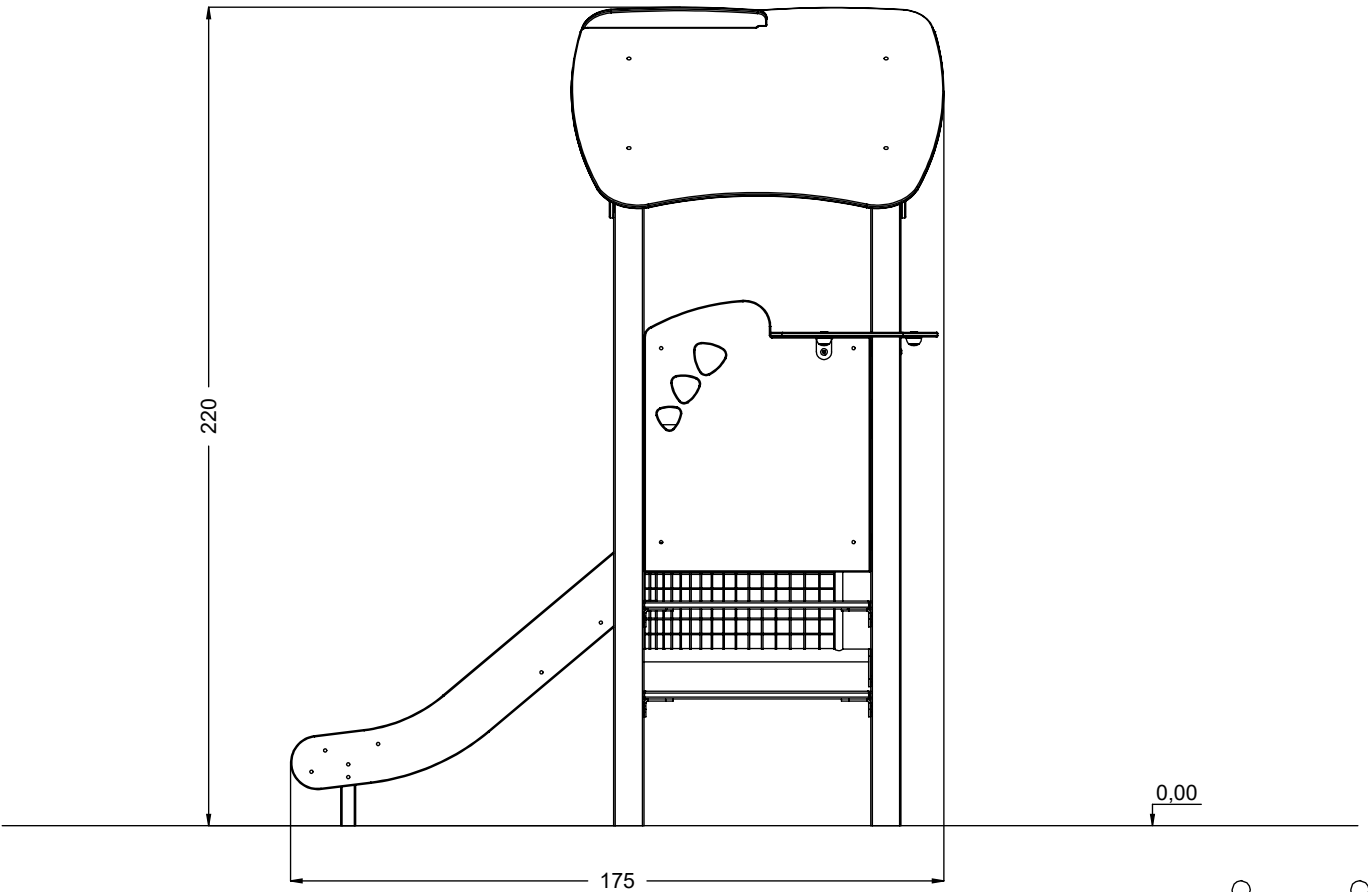
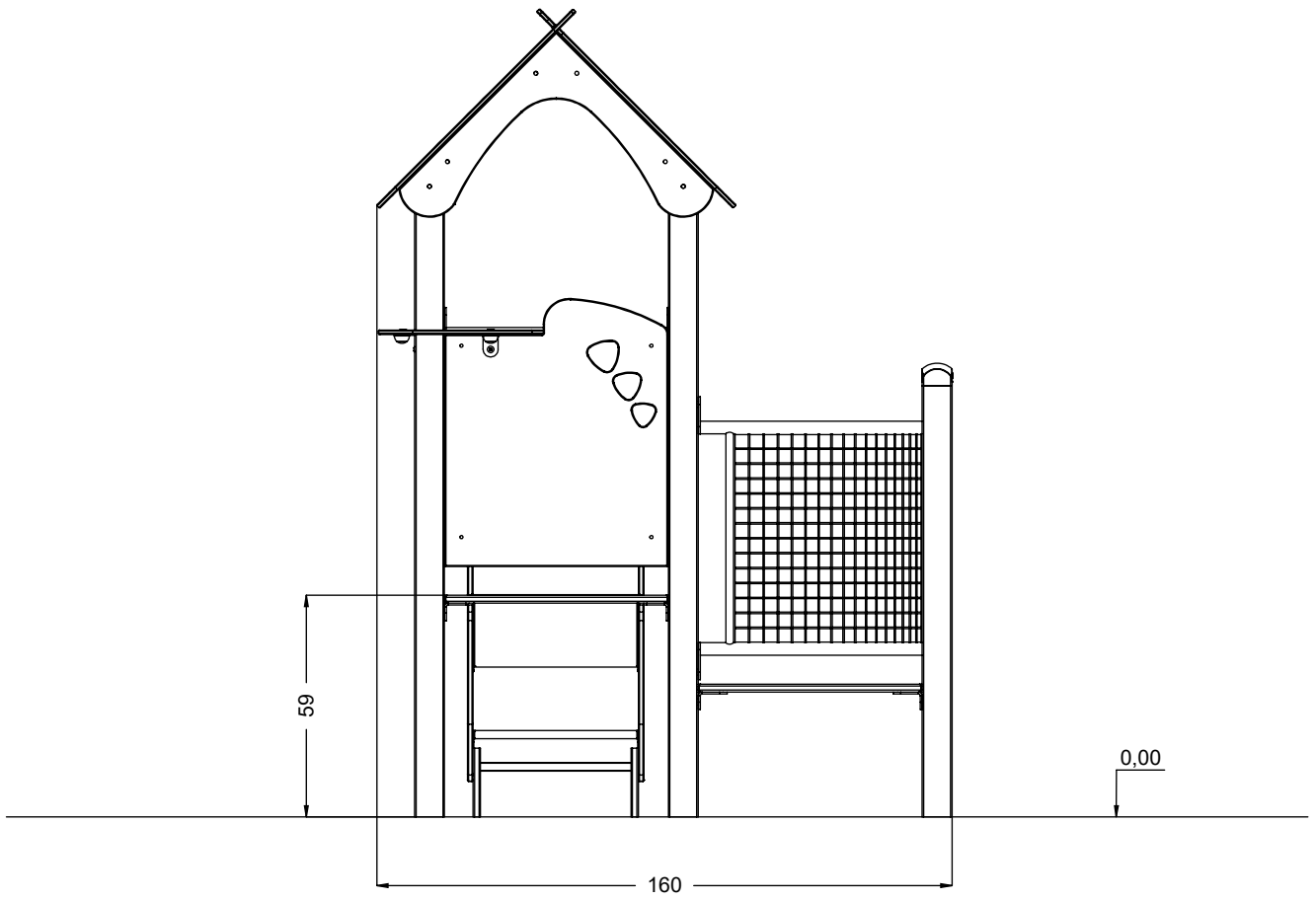


vinci  
play



[cm]

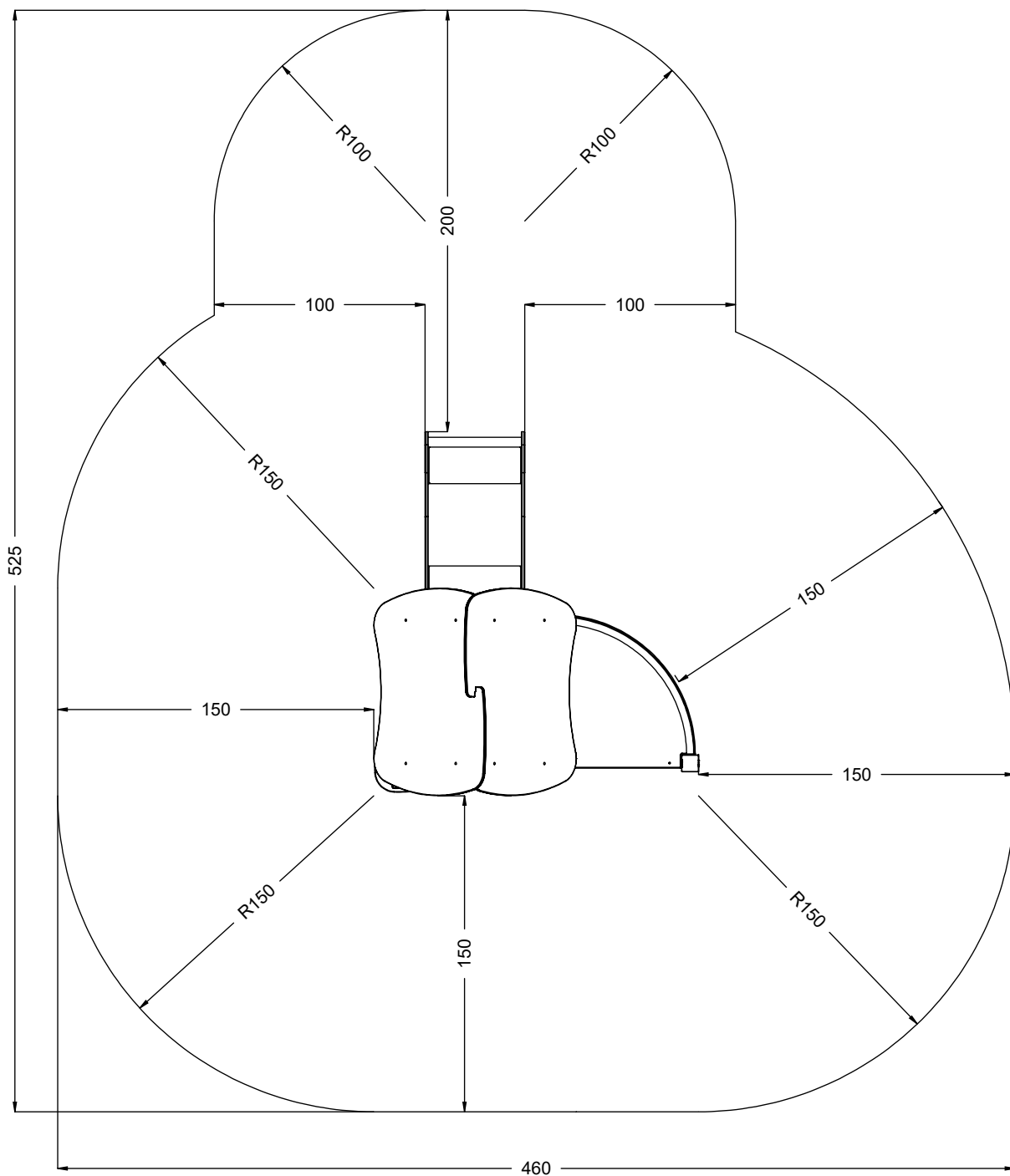
vinci  
play



[cm]



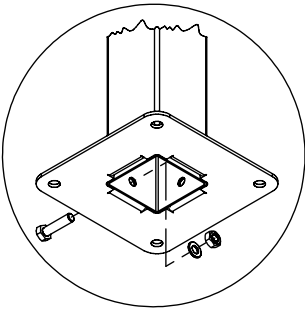
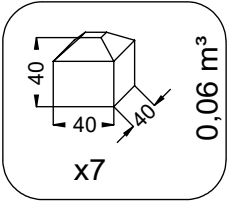
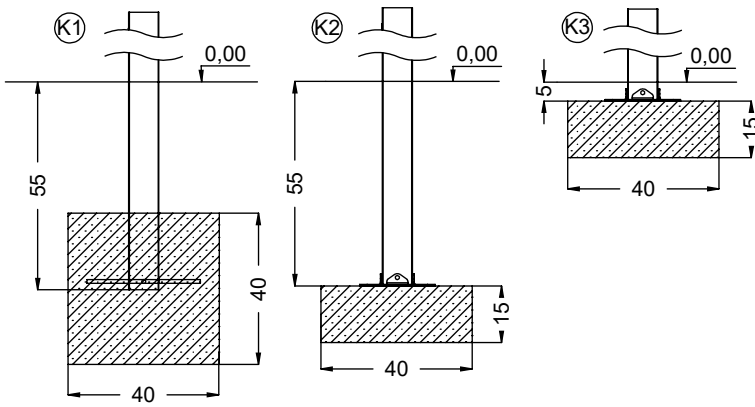
vinci  
play



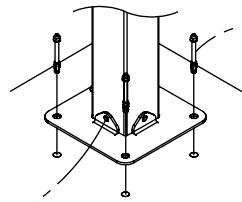
[cm]



vinci  
play

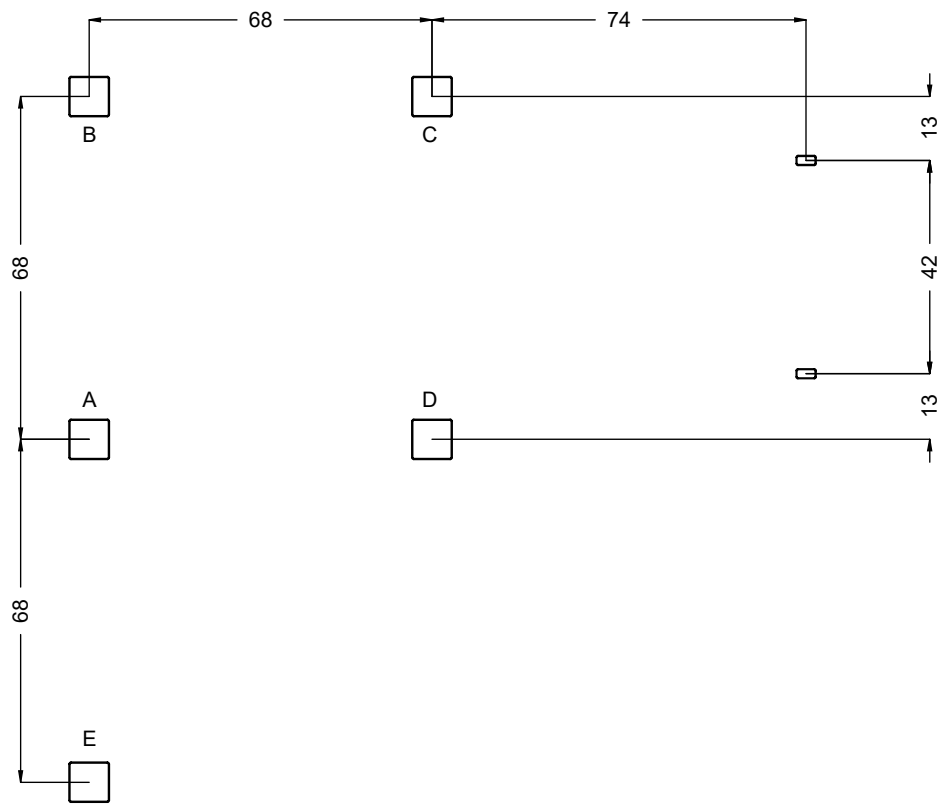
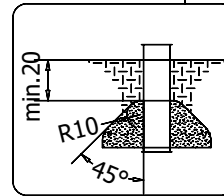
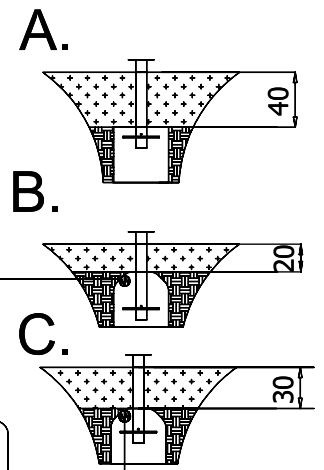
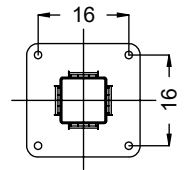


E37



20x M10x120 (K2)	22x M10x120 (K3)
<b>NOT INCLUDED</b>	

2x M8x120 (K2)
<b>NOT INCLUDED</b>



[cm]

	3,5h			48h		
--	------	--	--	-----	--	--

vinci play



0105 A  
x1



0105 B  
x1



0105 C  
x1



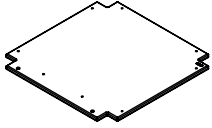
0105 D  
x1



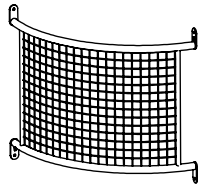
0105 E  
x1



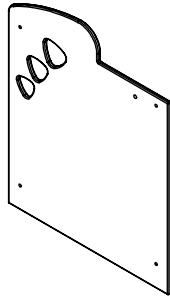
011231  
x1



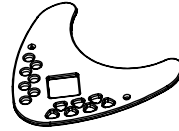
011226  
x1



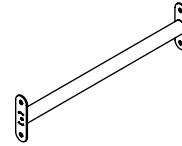
012100  
x1



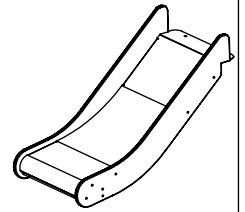
011113  
x2



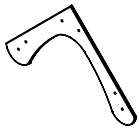
011115  
x1



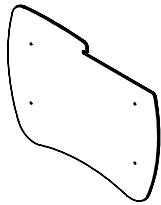
012101  
x1



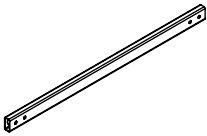
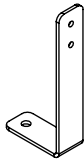
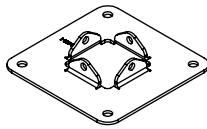
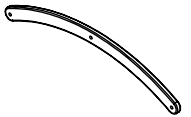
994146  
x1



011119  
2x

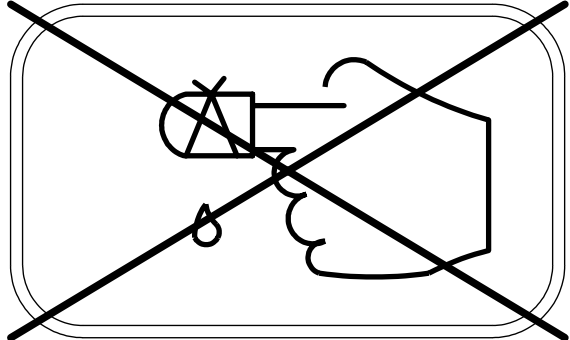
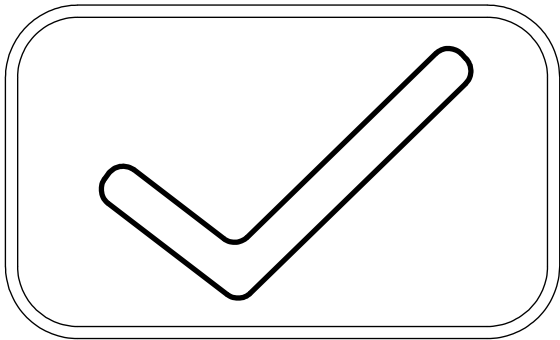
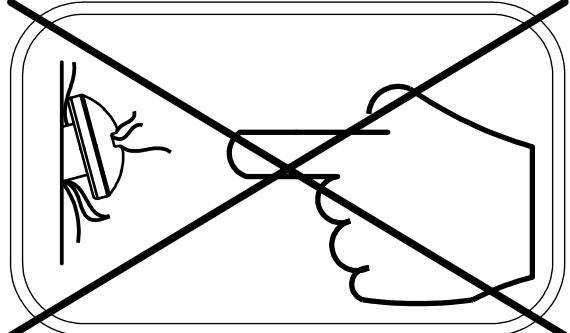
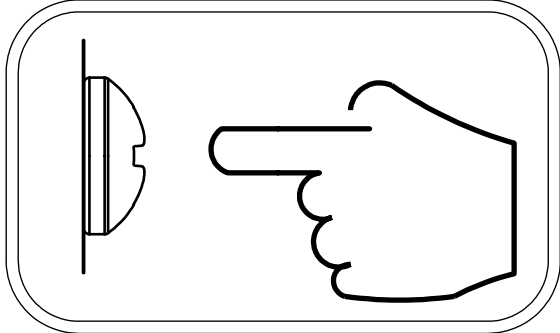
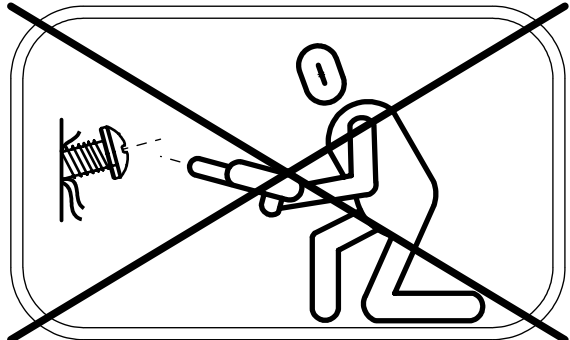
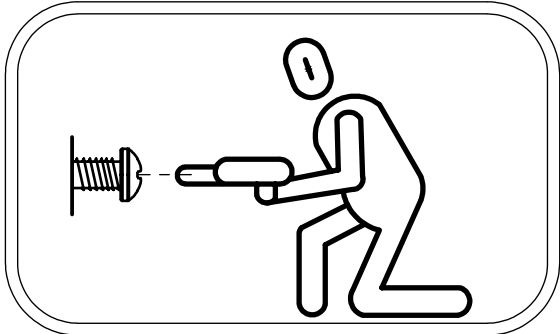


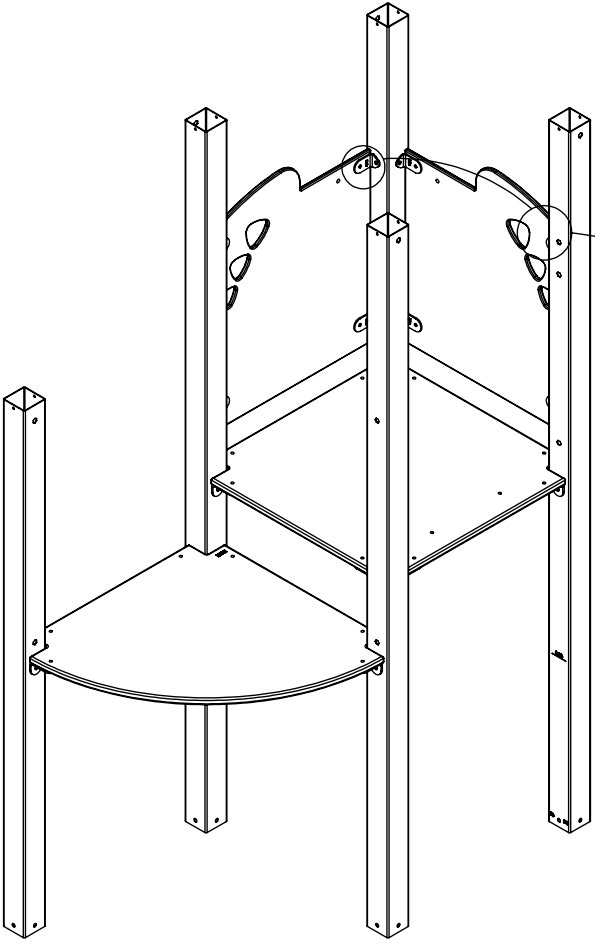
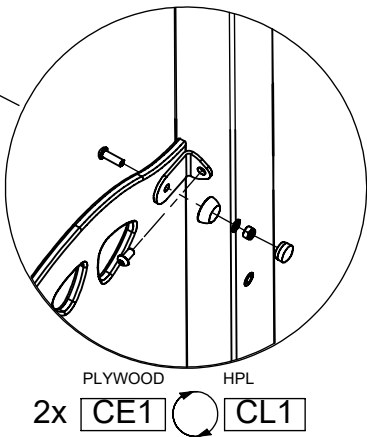
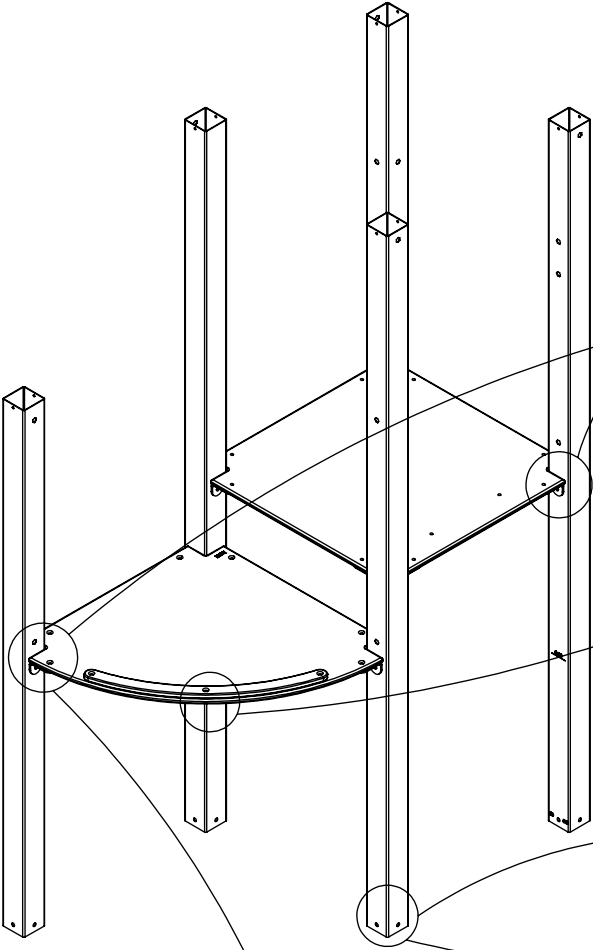
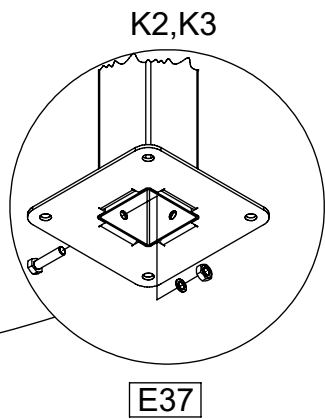
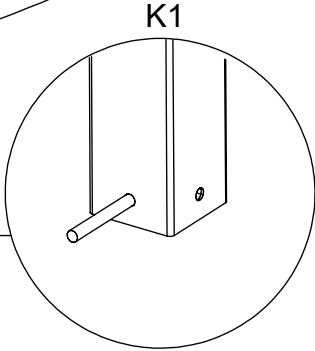
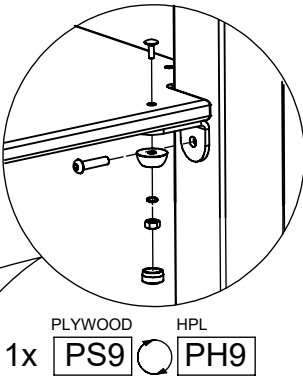
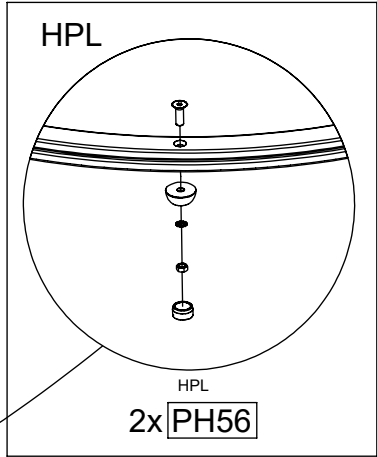
011143  
2x

K1,K2  p78 x2	K3  b219-2 x2	K2,K3  b231 x5	HPL  011230 x1
--	--	---	---

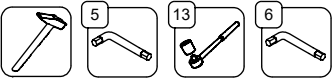
	HDPE	HPL	ST/INOX
2x	CE1	CL1	
1x	CE3	CL3	
1x	CE26	CL26	
1x	CE111	CL111	
1x	CE112	CL112	
2x			E1
1x			E34 <sup>K1,K3</sup>
1x			E35 <sup>K2</sup>
			E37 <sup>K2,K3</sup>
1x			V001

	PLYWOOD	HPL
1x	PS8	PH8
1x	PS9	PH9
1x	PS19 <sup>S1</sup>	PH19 <sup>S1</sup>
1x	PS41 <sup>S6</sup>	PH41 <sup>S6</sup>
1x		PH56



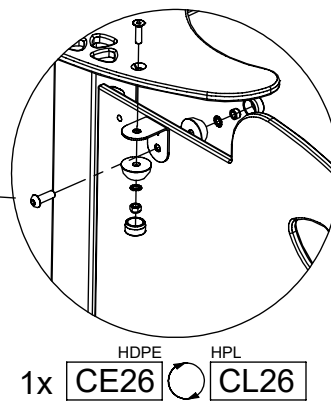
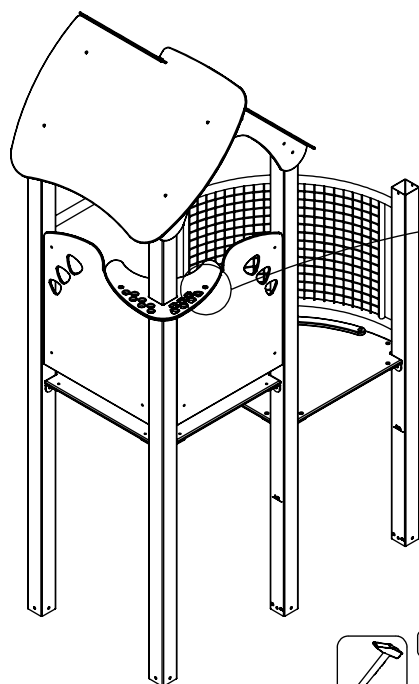
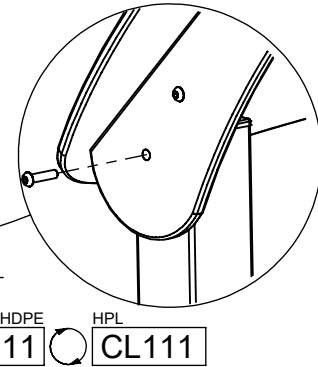
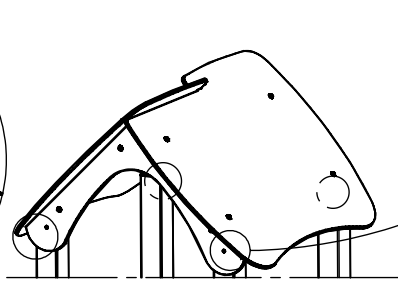
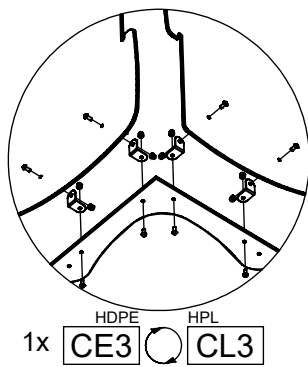
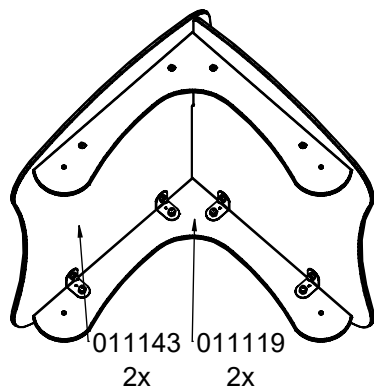
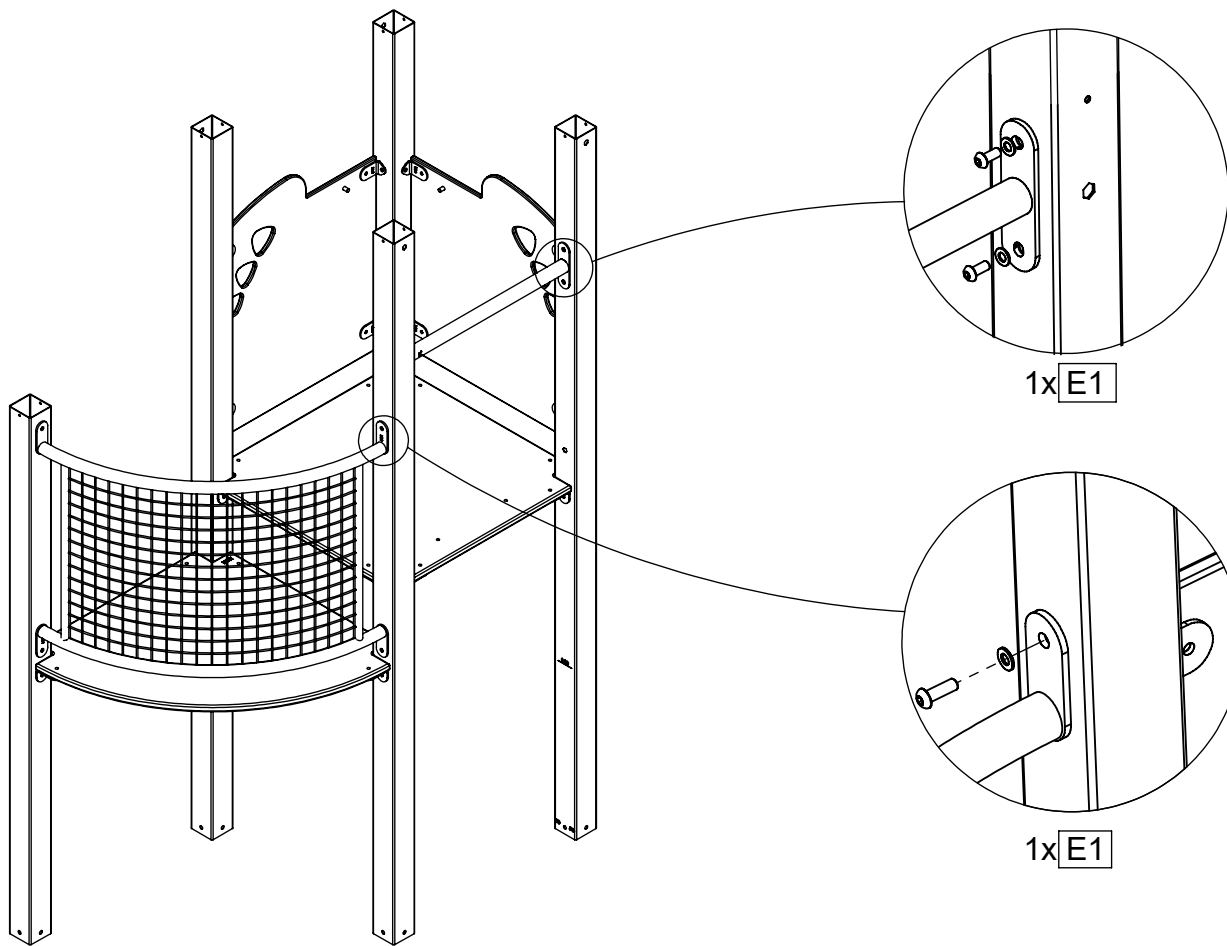


[cm]



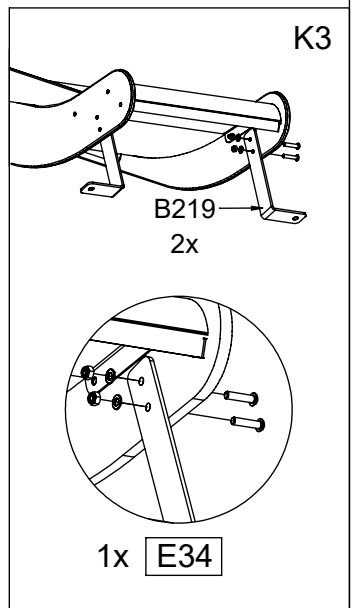
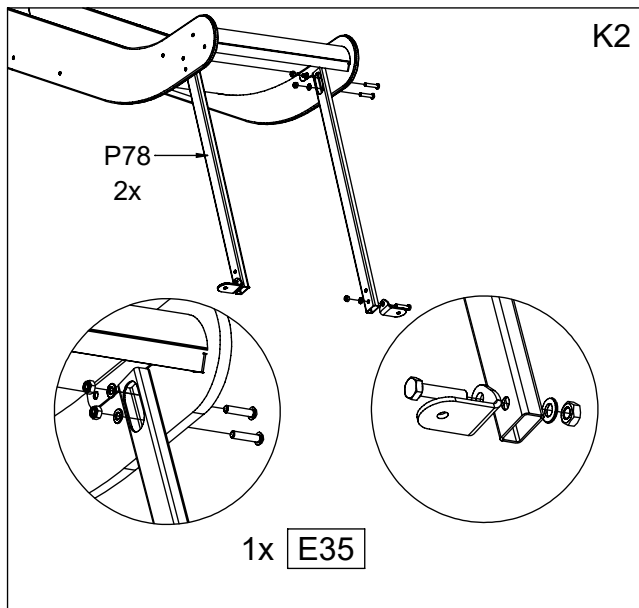
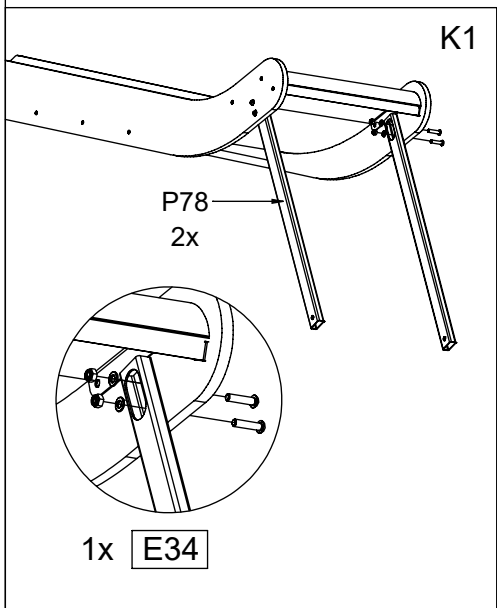
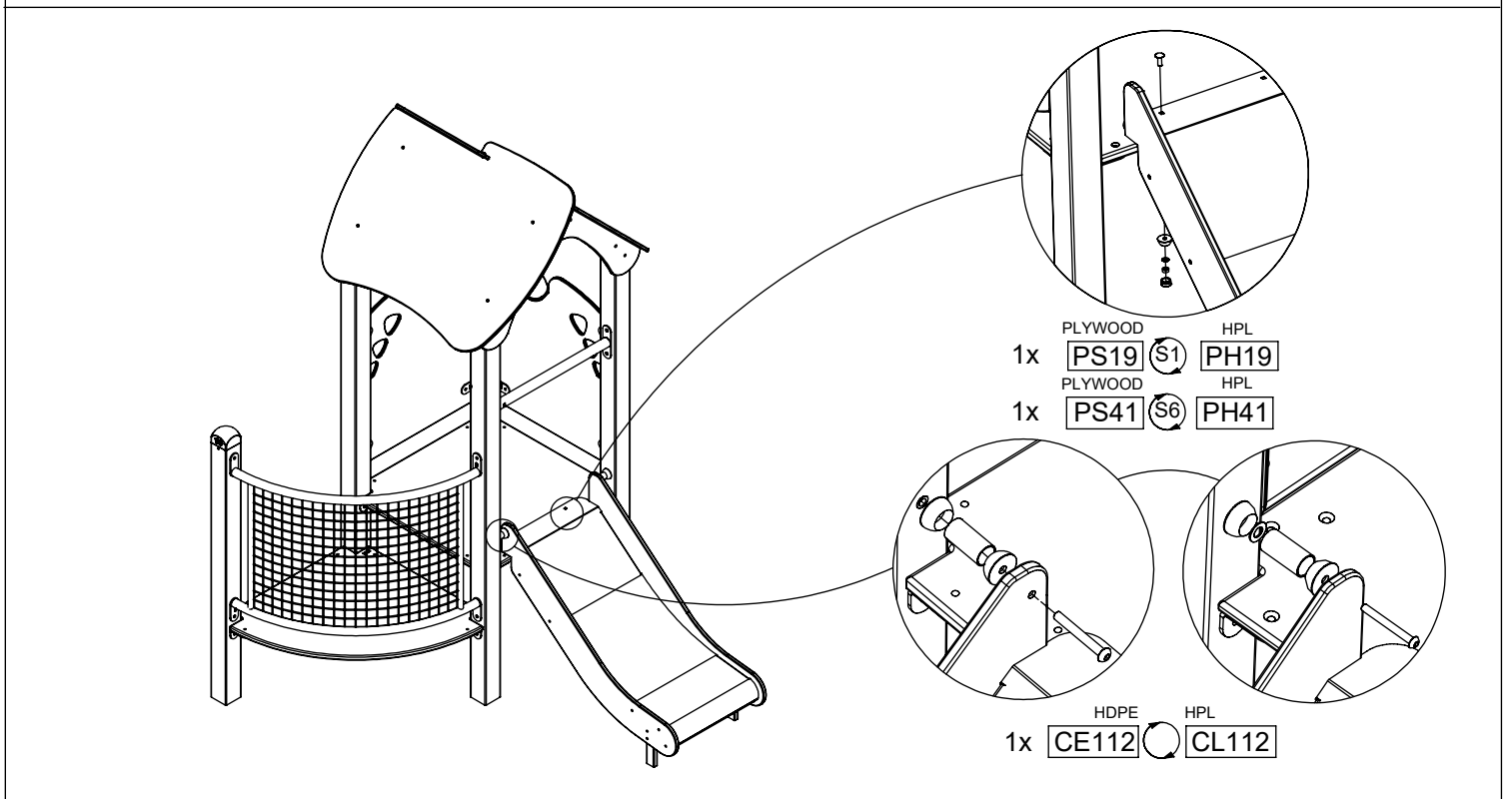
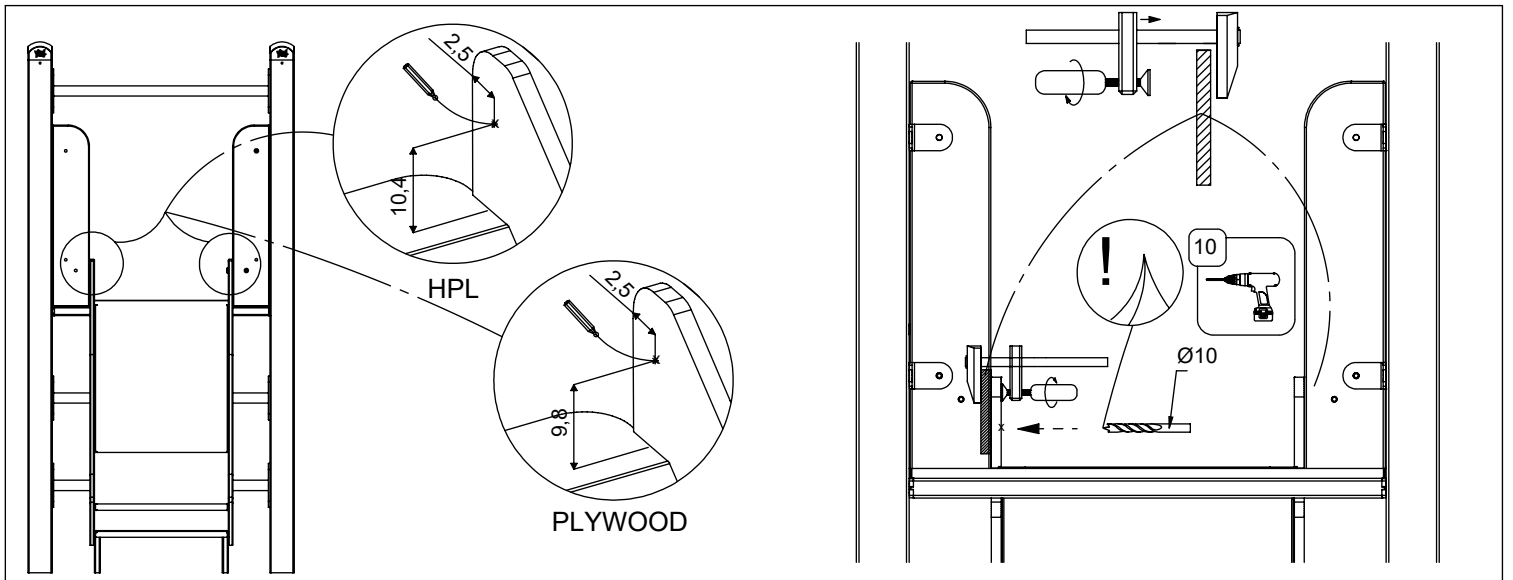
vinci play



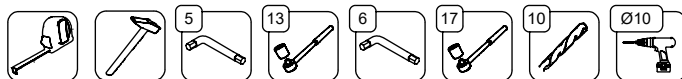


[cm]

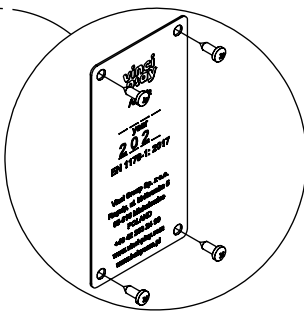
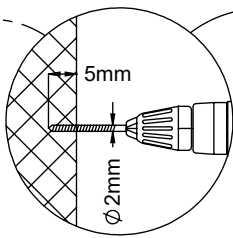
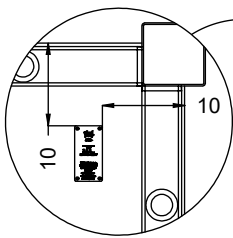
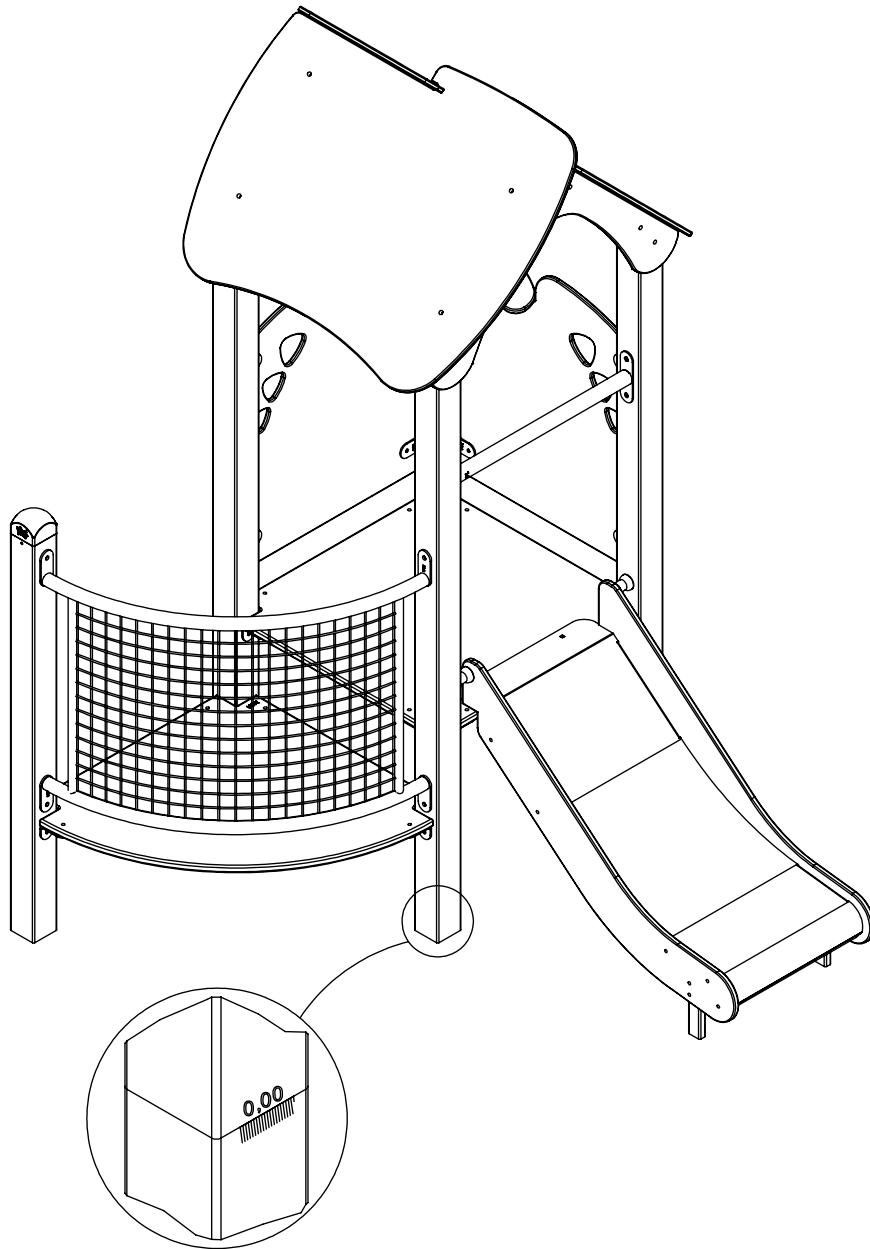
vinci  
play



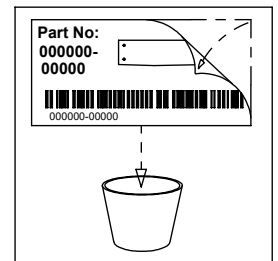
[cm]



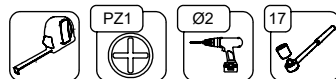
vinci  
play



V001



[cm]



vinci  
play