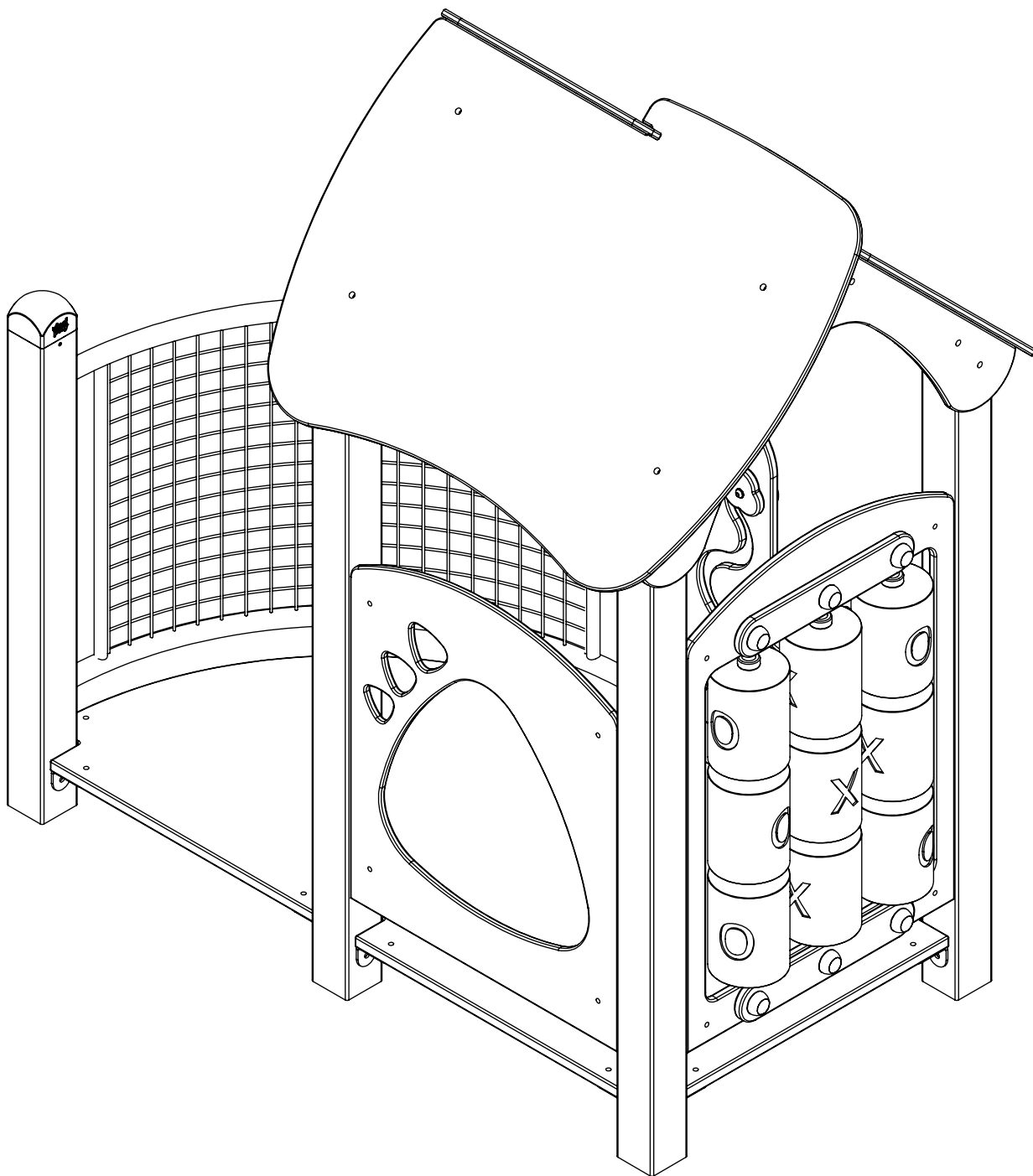


0101-1



2,5h

<60
HIC



K1
x5

>0,06m³

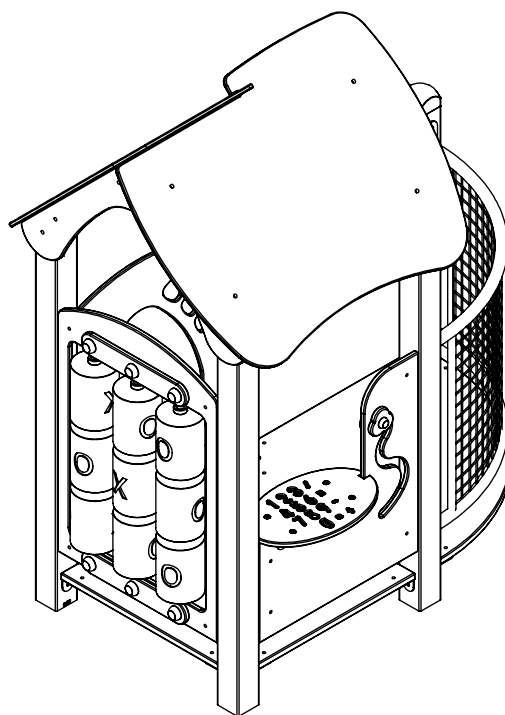
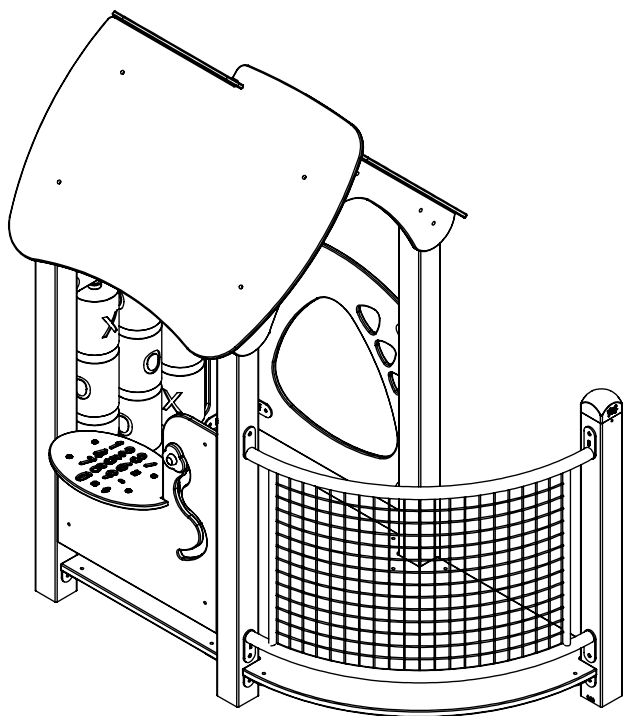
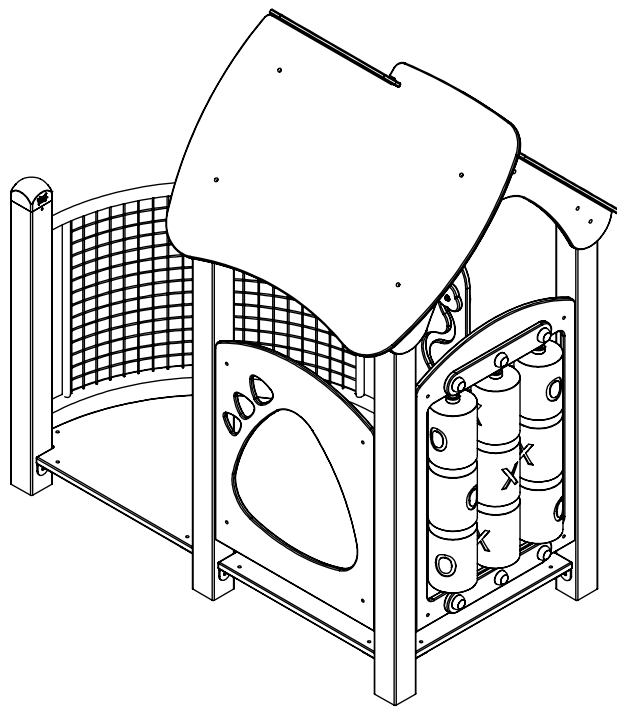
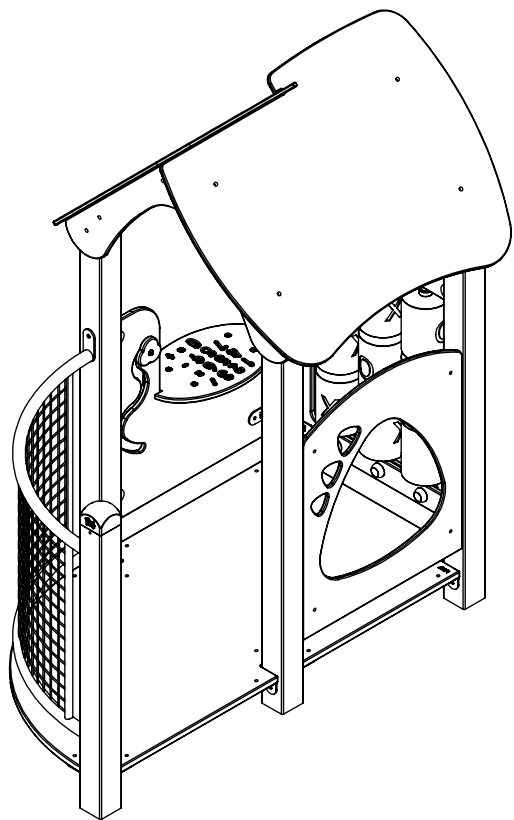
K2/K3
x5

>0,02m³

v012
02.02.2022
A. D.
[cm]

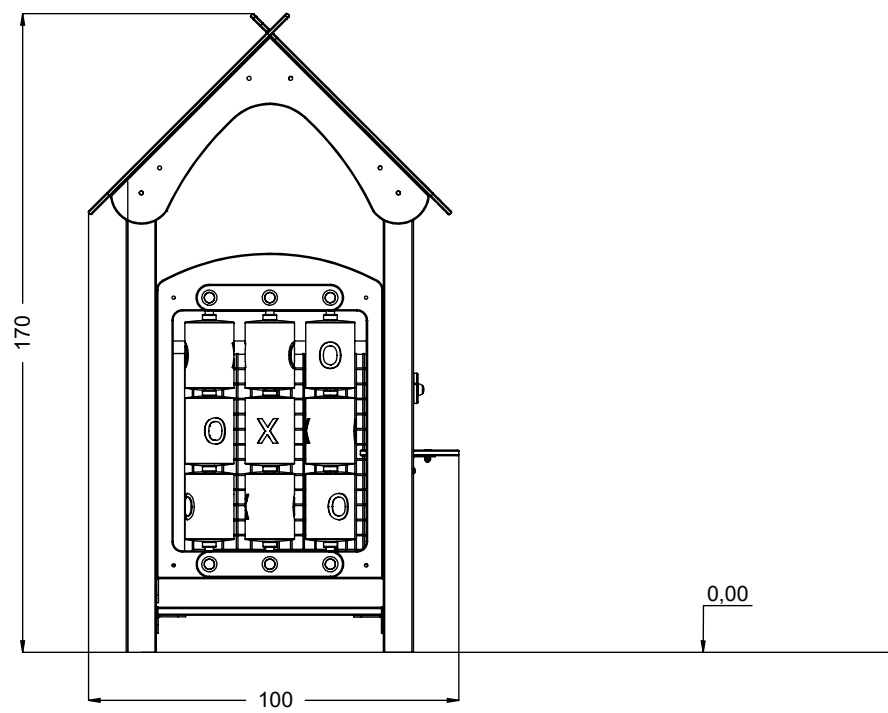
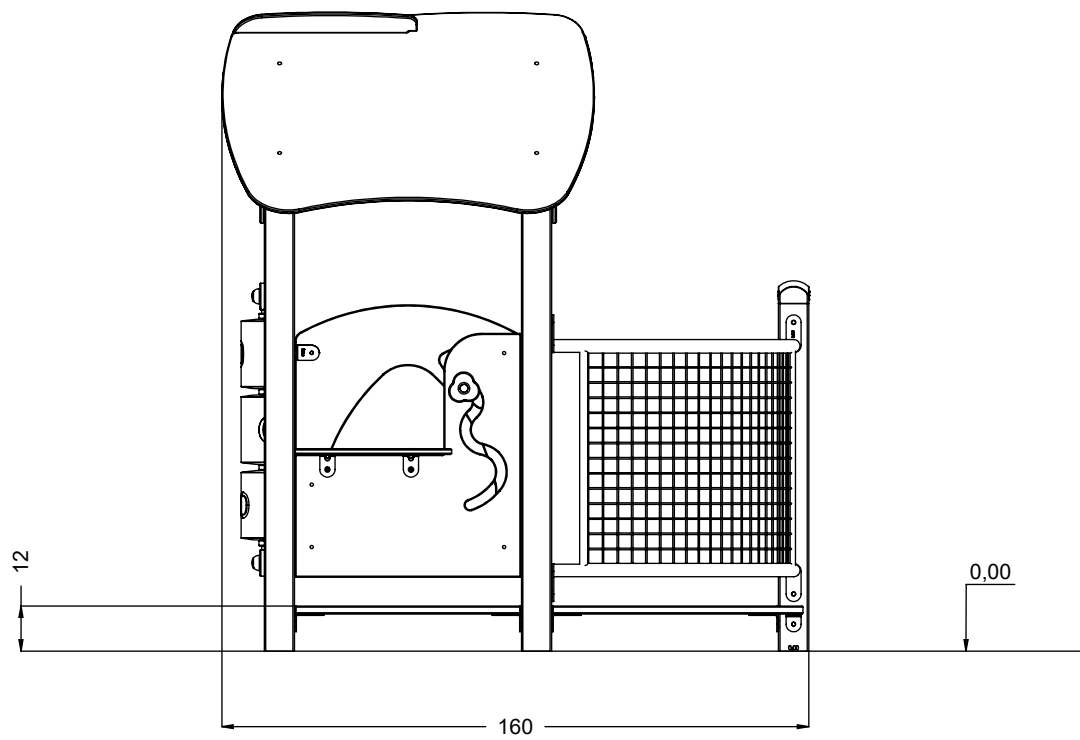


vinci
play



[cm]

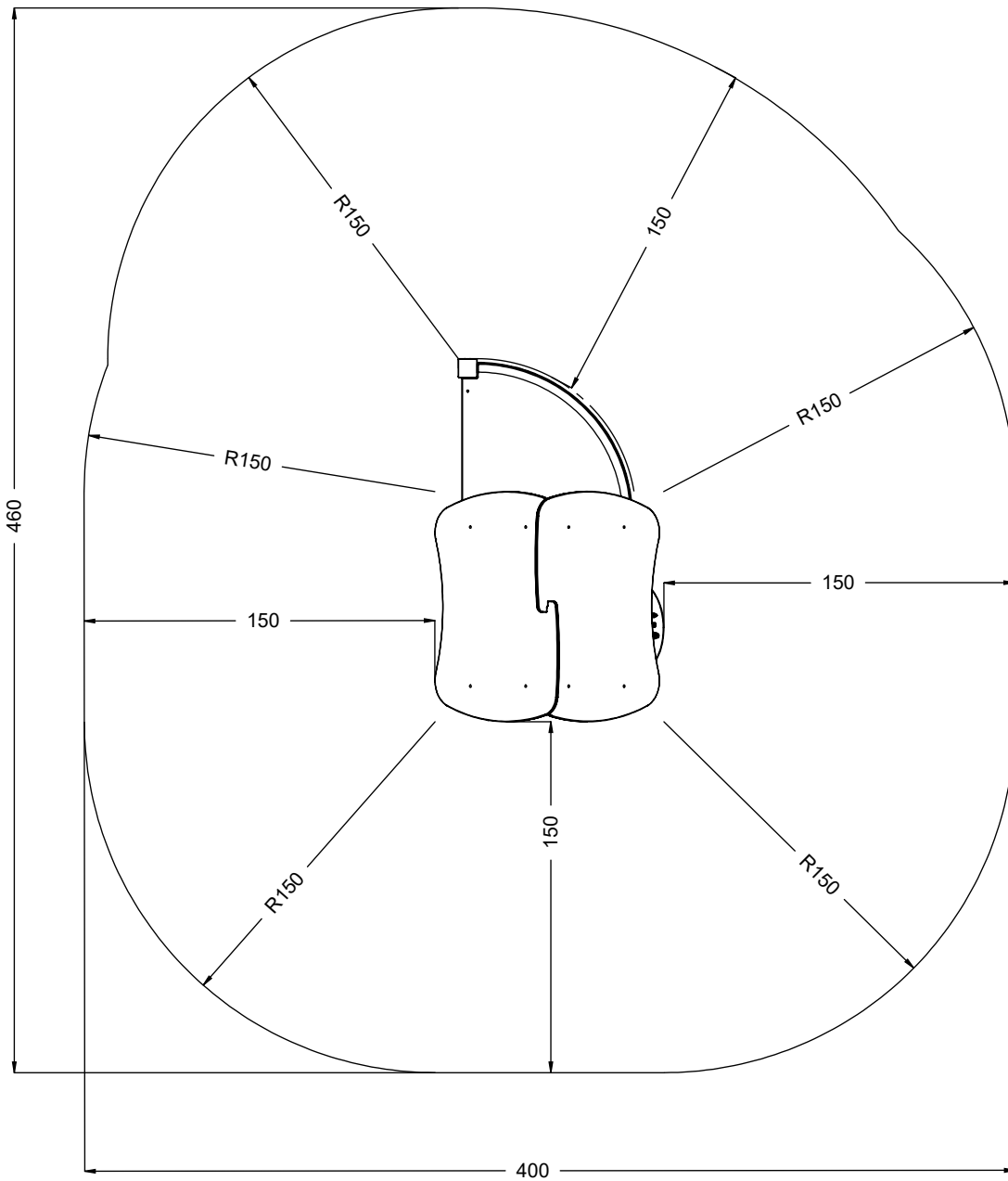
vinci
play



[cm]



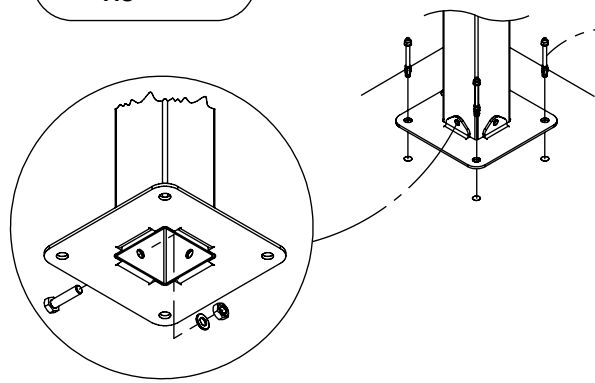
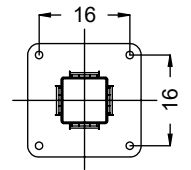
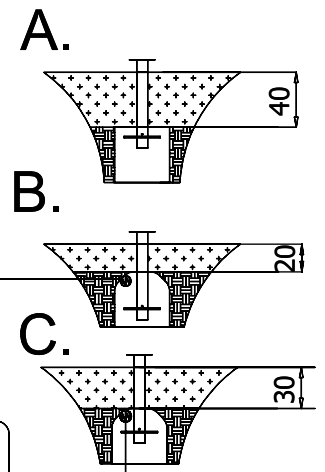
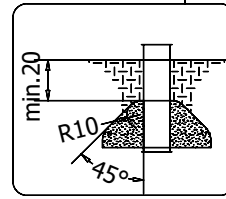
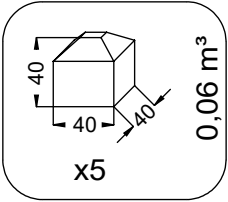
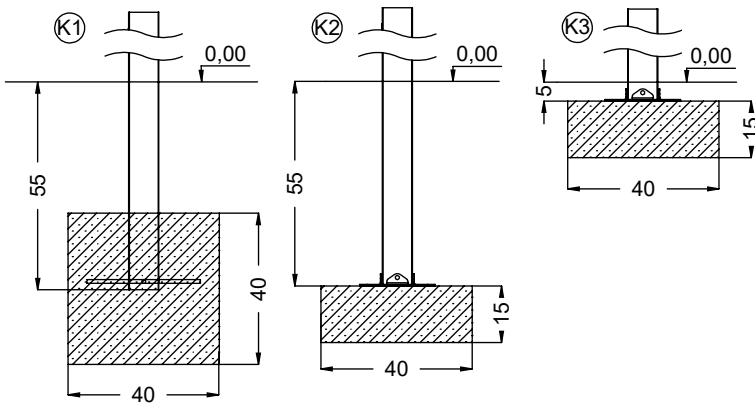
vinci
play



[cm]



vinci
play

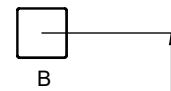


20x M10x120 (K2)
 20x M10x120 (K3)

Ø10

NOT INCLUDED

E37



[cm]

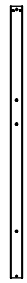
x2
 2,5h

 48h
 K1 x5 >0,06m³
 K2/K3 x5 >0,02m³

vinci
play



0101 A
x1



0101 B
x1



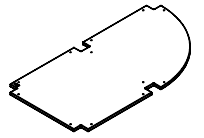
0101 C
x1



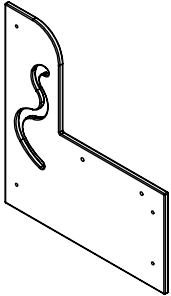
0101 D
x1



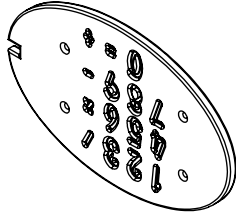
0101 E
x1



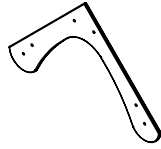
011227
x1



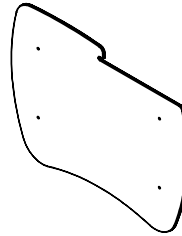
011122
x1



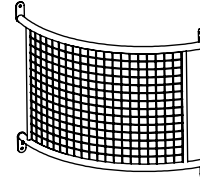
011154
x1



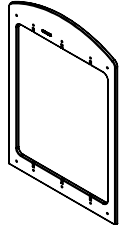
011119
x2



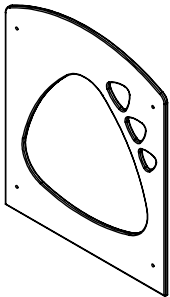
011143
x2



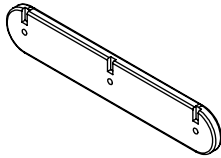
012100
x1



011191
x1



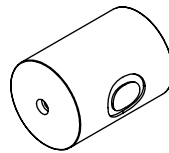
011106
x1



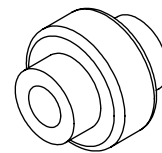
011192
x2



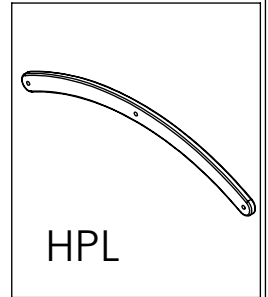
996110
x3



996108
x9



996109
x12



011230
x1

*K2, K3



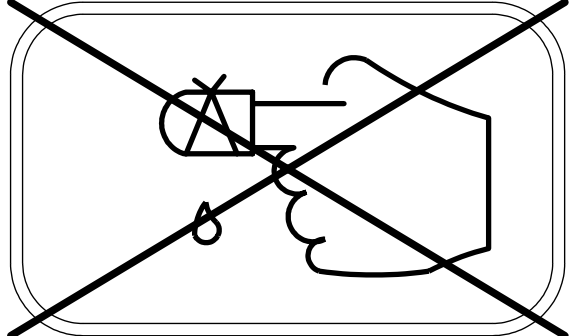
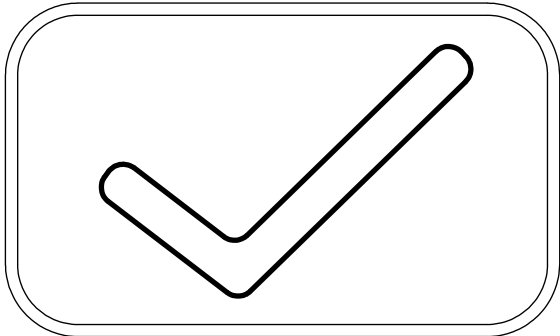
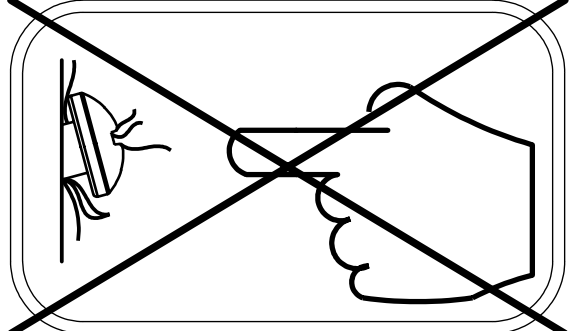
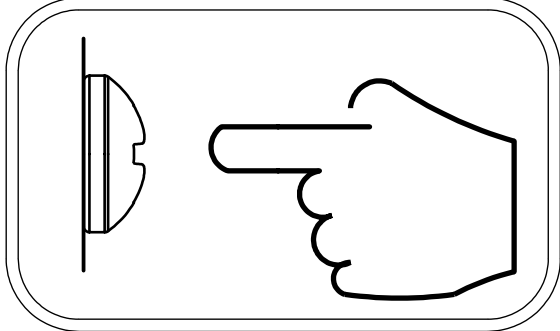
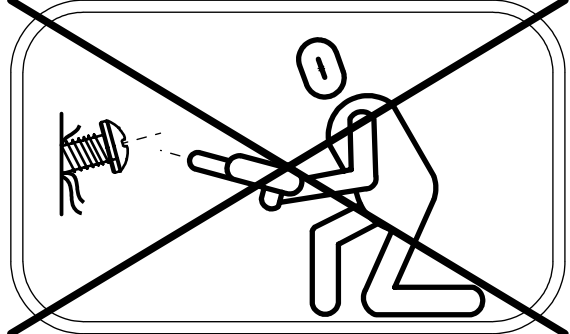
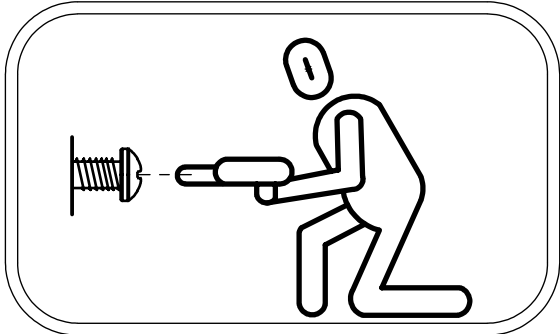
B231
x4

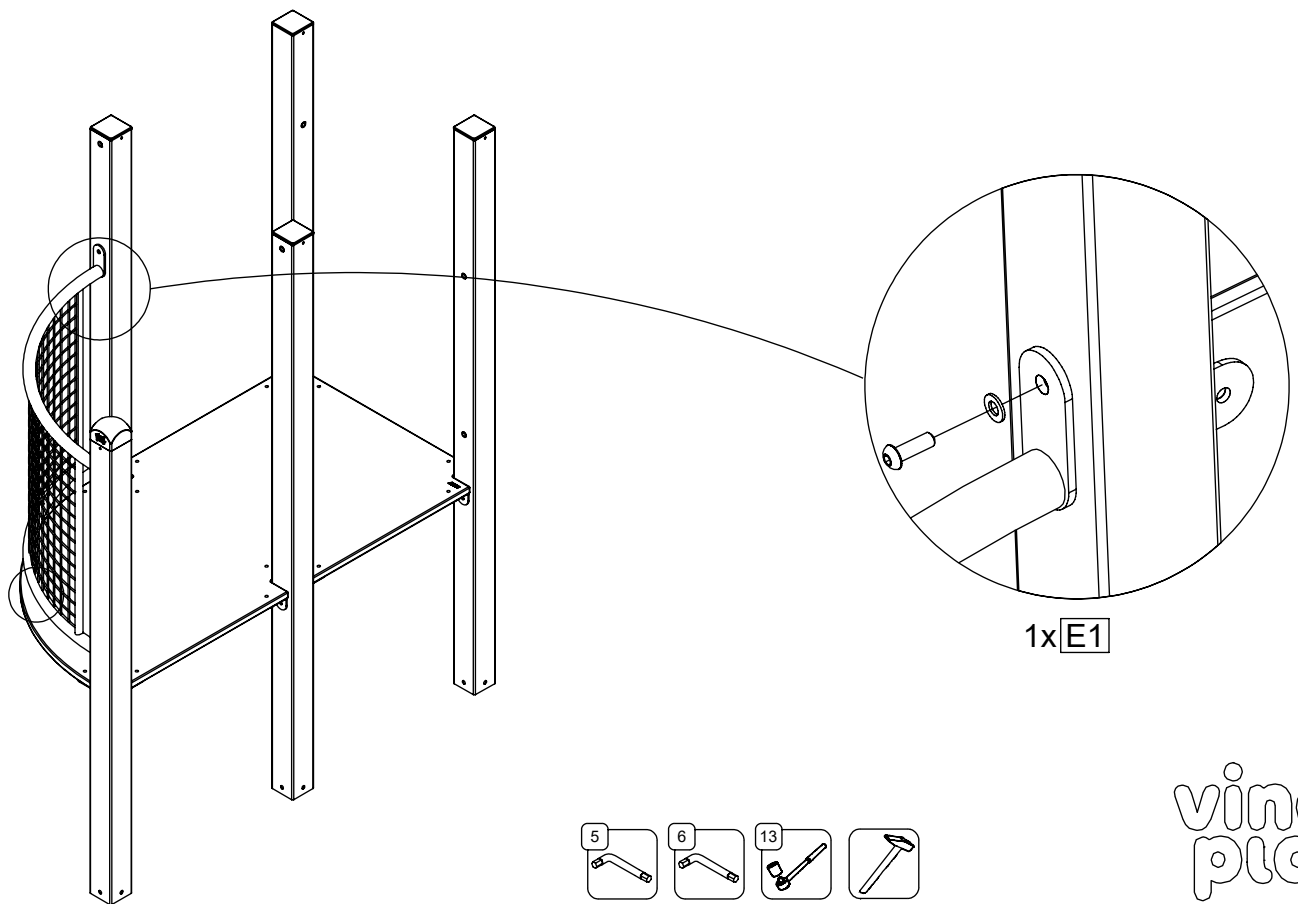
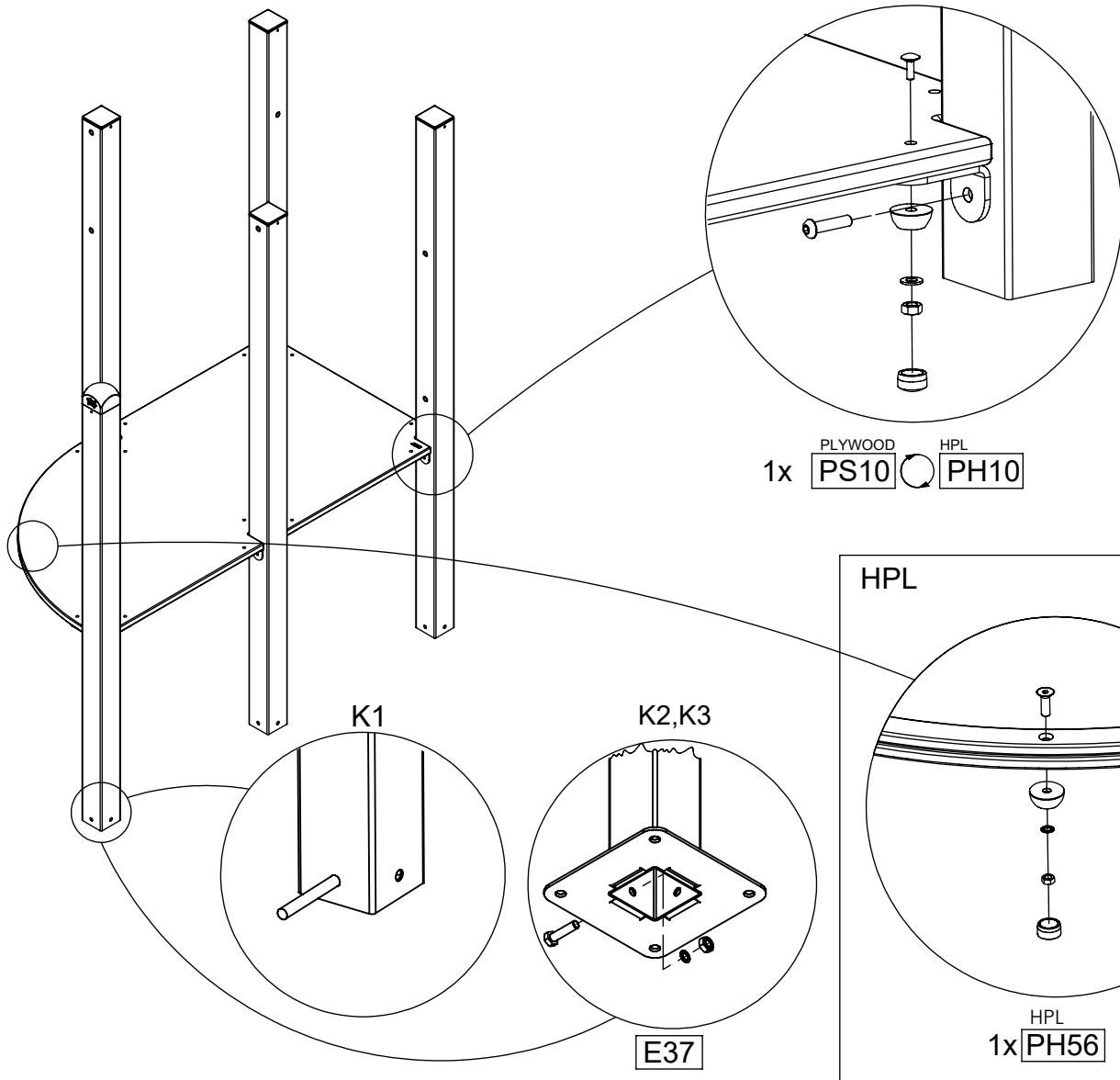
| | HDPE | HPL | ST/INOX |
|----|-------|-------|-------------|
| 1x | CE1 | CL1 | |
| 1x | CE3 | CL3 | |
| 2x | CE4 | CL4 | |
| 1x | CE6 | CL6 | |
| 1x | CE17 | CL17 | |
| 1x | CE19 | CL19 | |
| 1x | CE111 | CL111 | |
| 1x | | | E1 |
| | | | E37 (K2,K3) |
| 1x | | | V001 |

| | PLYWOOD | HPL |
|----|---------|------|
| 1x | PS10 | PH10 |
| 1x | | PH56 |

[cm]

vinci
play

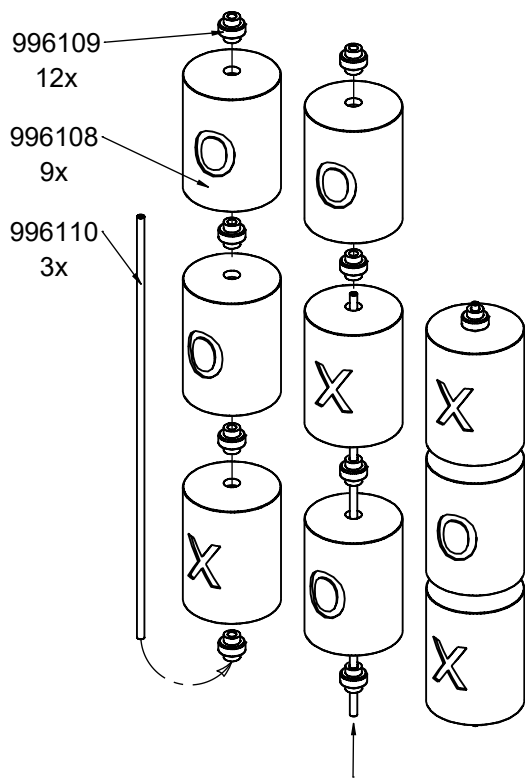




[cm]

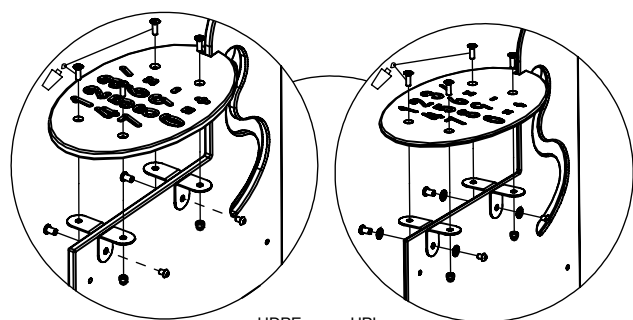
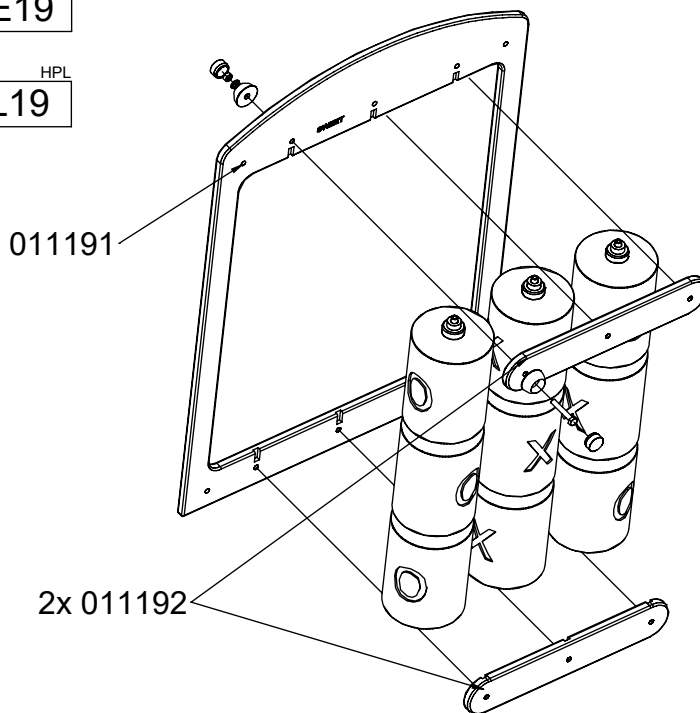


vinci
play

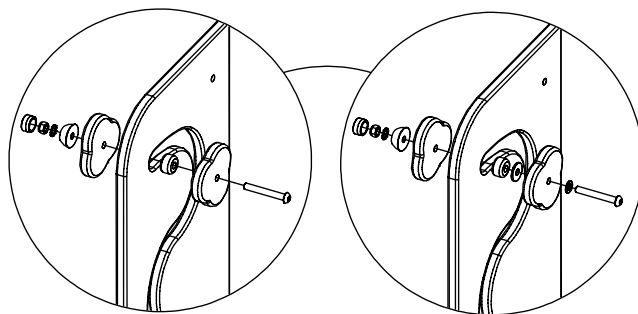
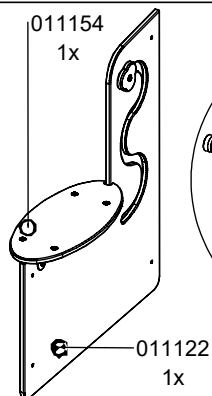


1x ^{HDPE} CE19

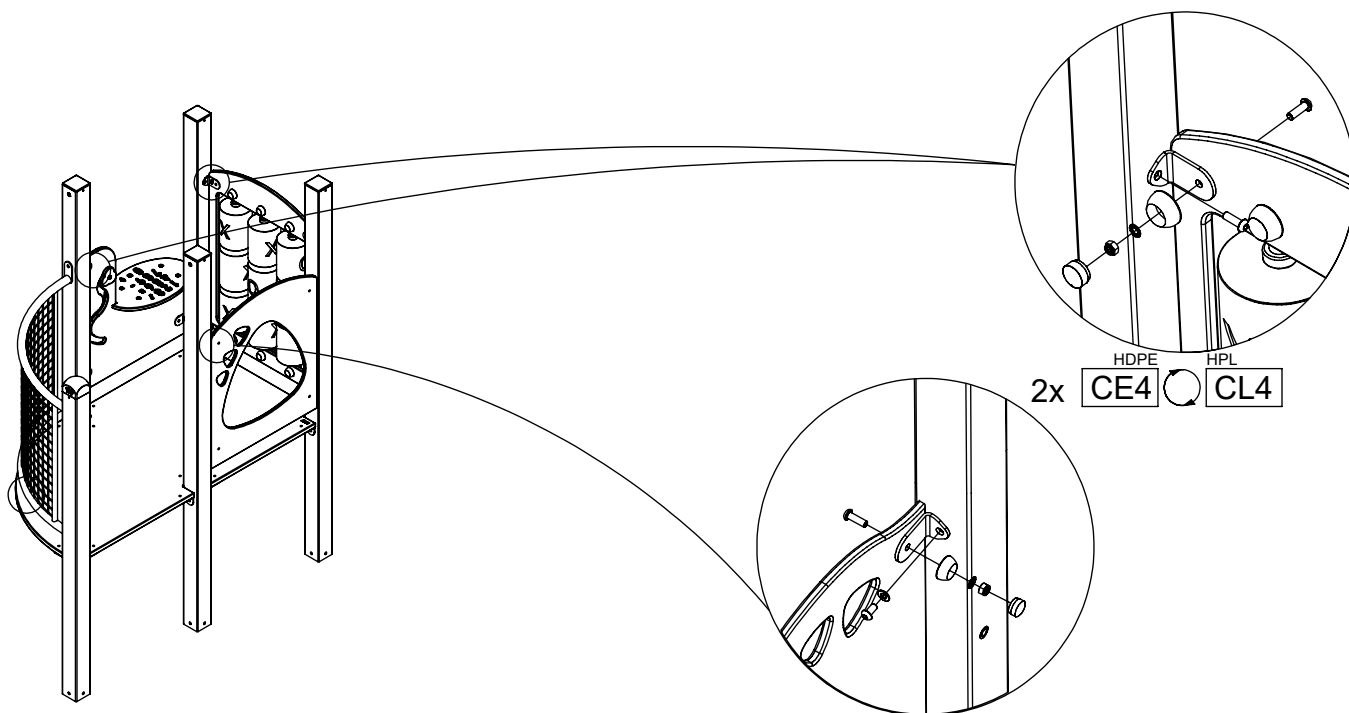
1x ^{HPL} CL19



1x ^{HDPE} CE6 ^{HPL} CL6



1x ^{HDPE} CE17 ^{HPL} CL17



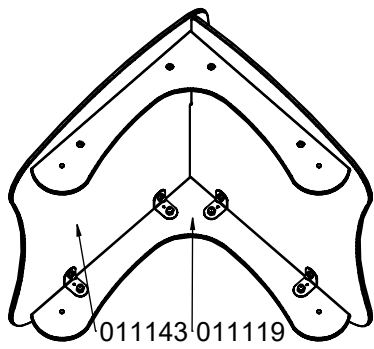
2x ^{HDPE} CE4 ^{HPL} CL4

1x ^{HDPE} CE1 ^{HPL} CL1

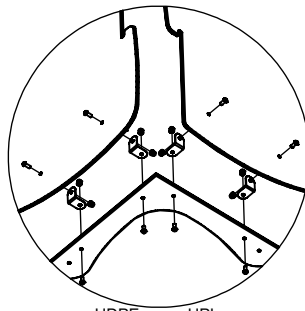


[cm]

vinci
play

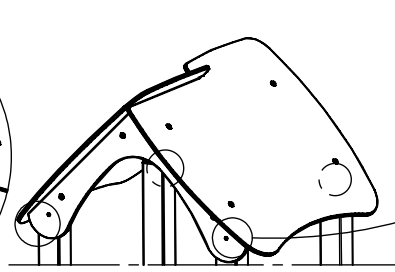


011143 011119
2x 2x



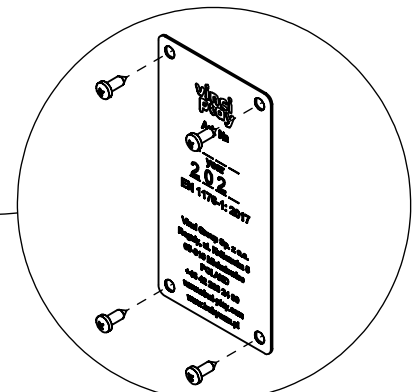
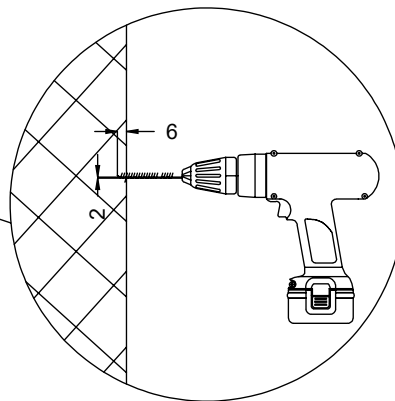
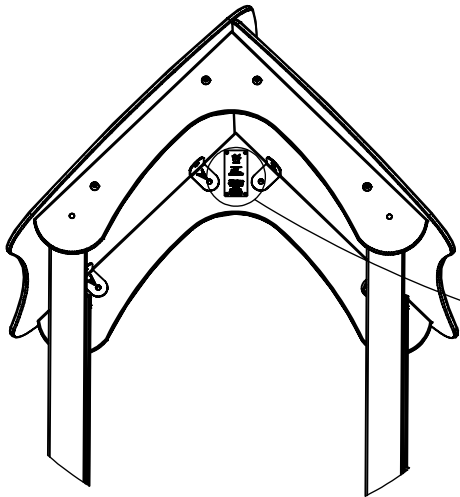
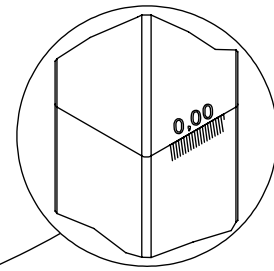
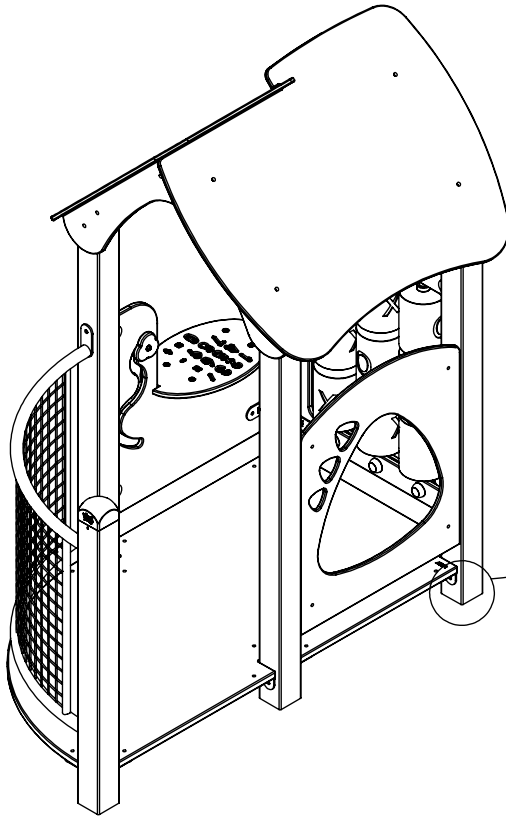
1x

| | |
|------|-----|
| HDPE | HPL |
| CE3 | CL3 |

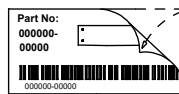


1x

| | |
|-------|-------|
| HDPE | HPL |
| CE111 | CL111 |



V001



[cm]

vinci
play