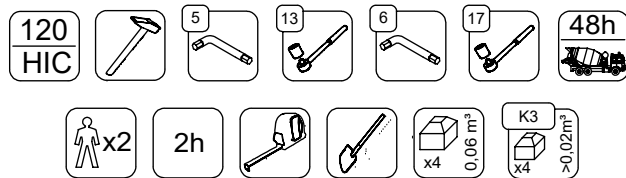
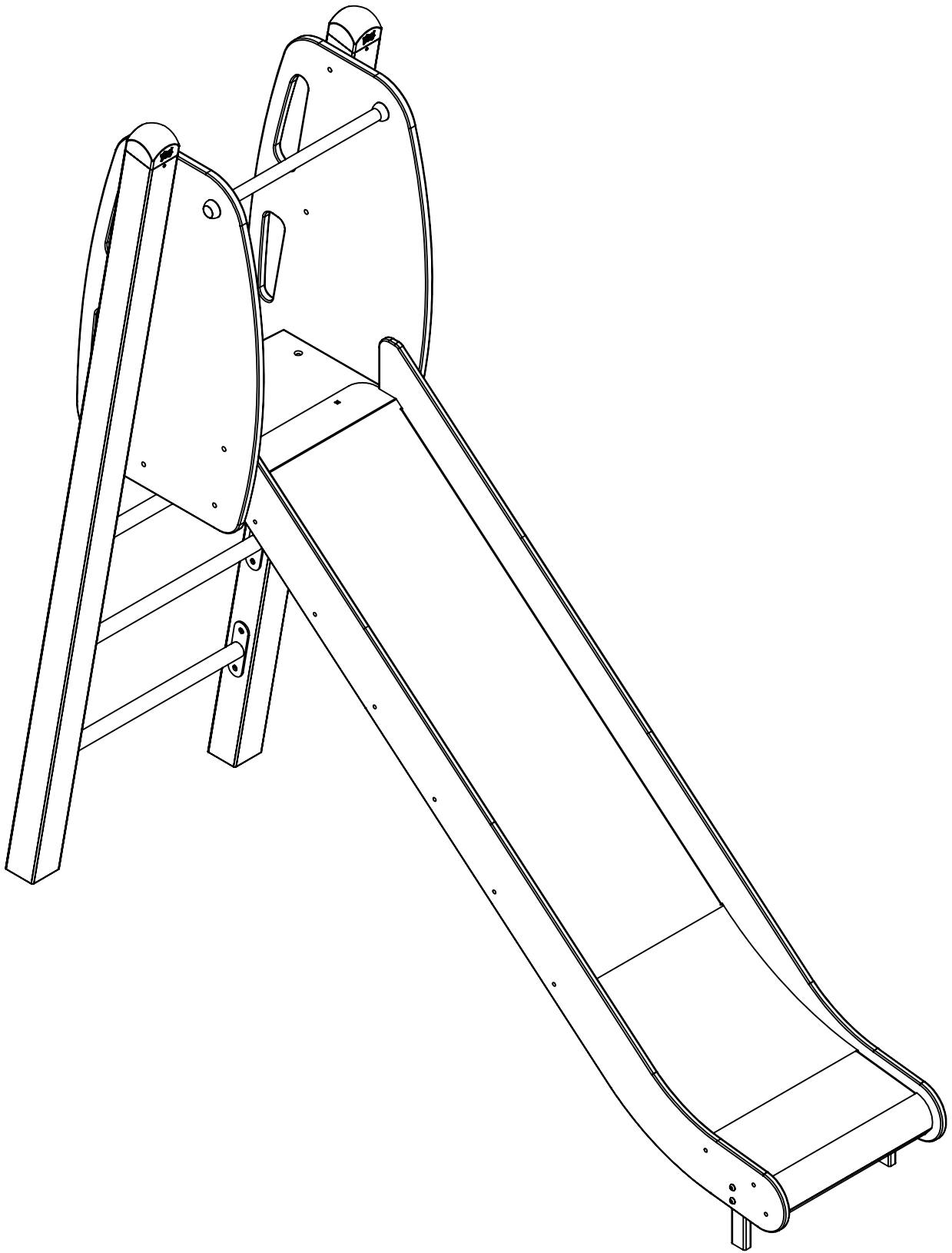
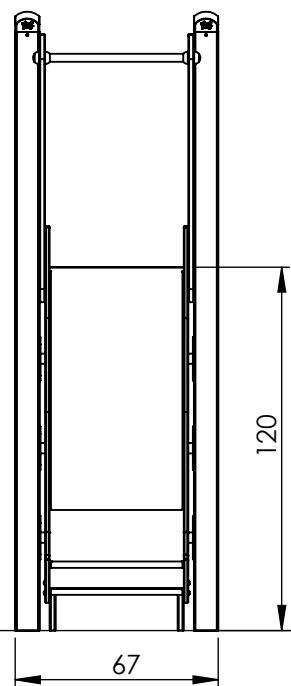
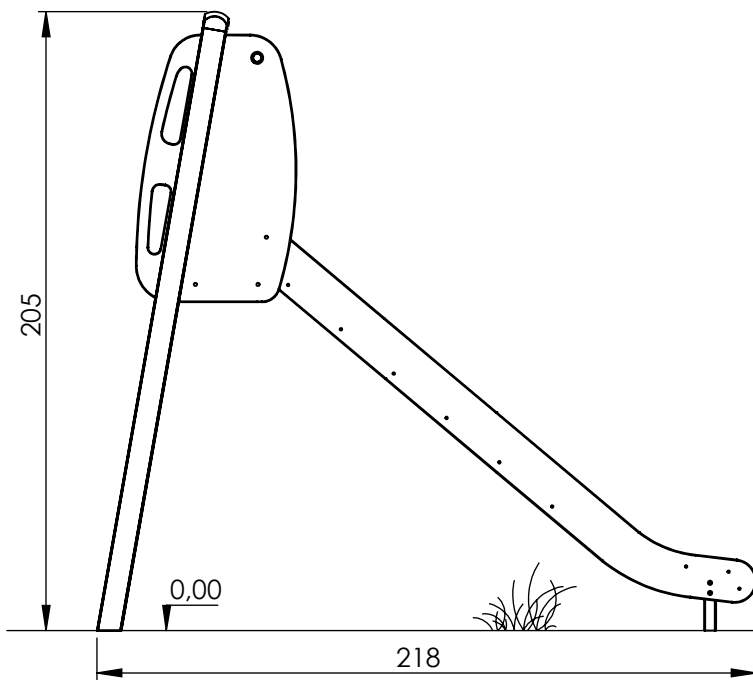
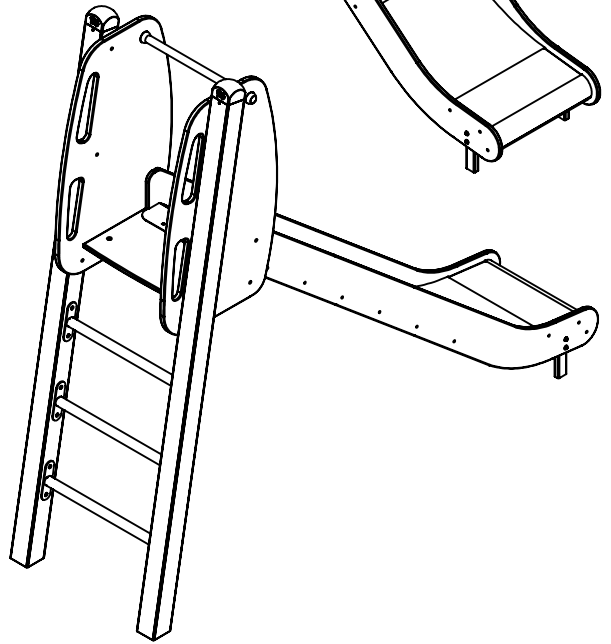
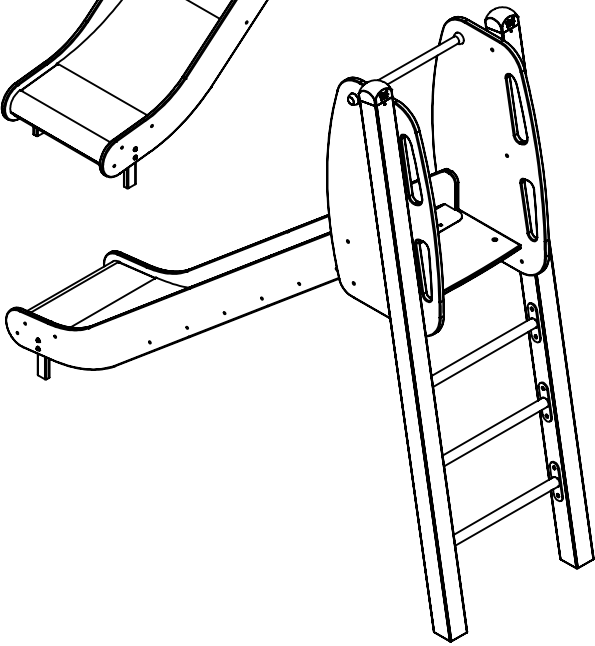
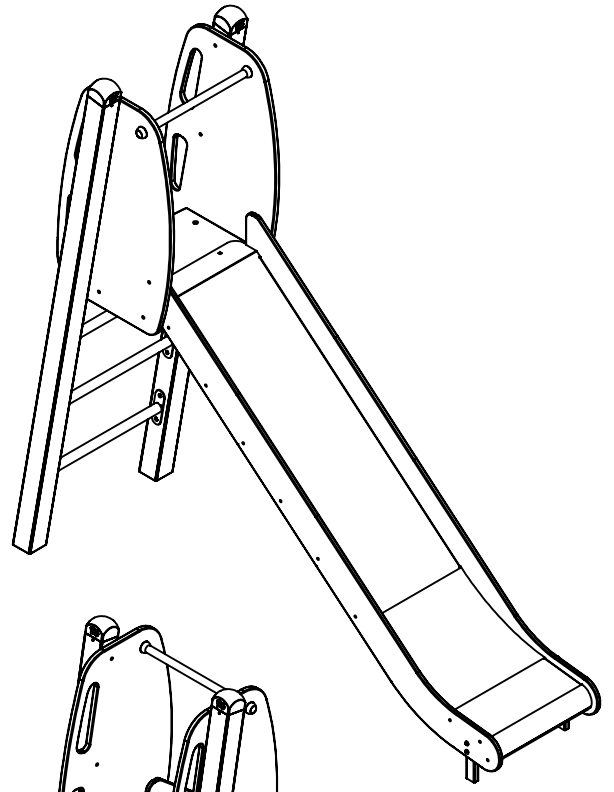
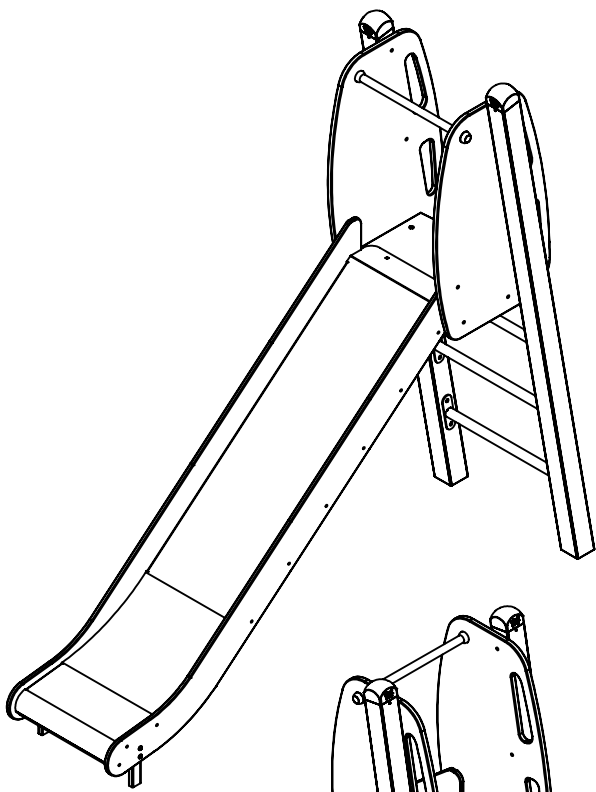


0831



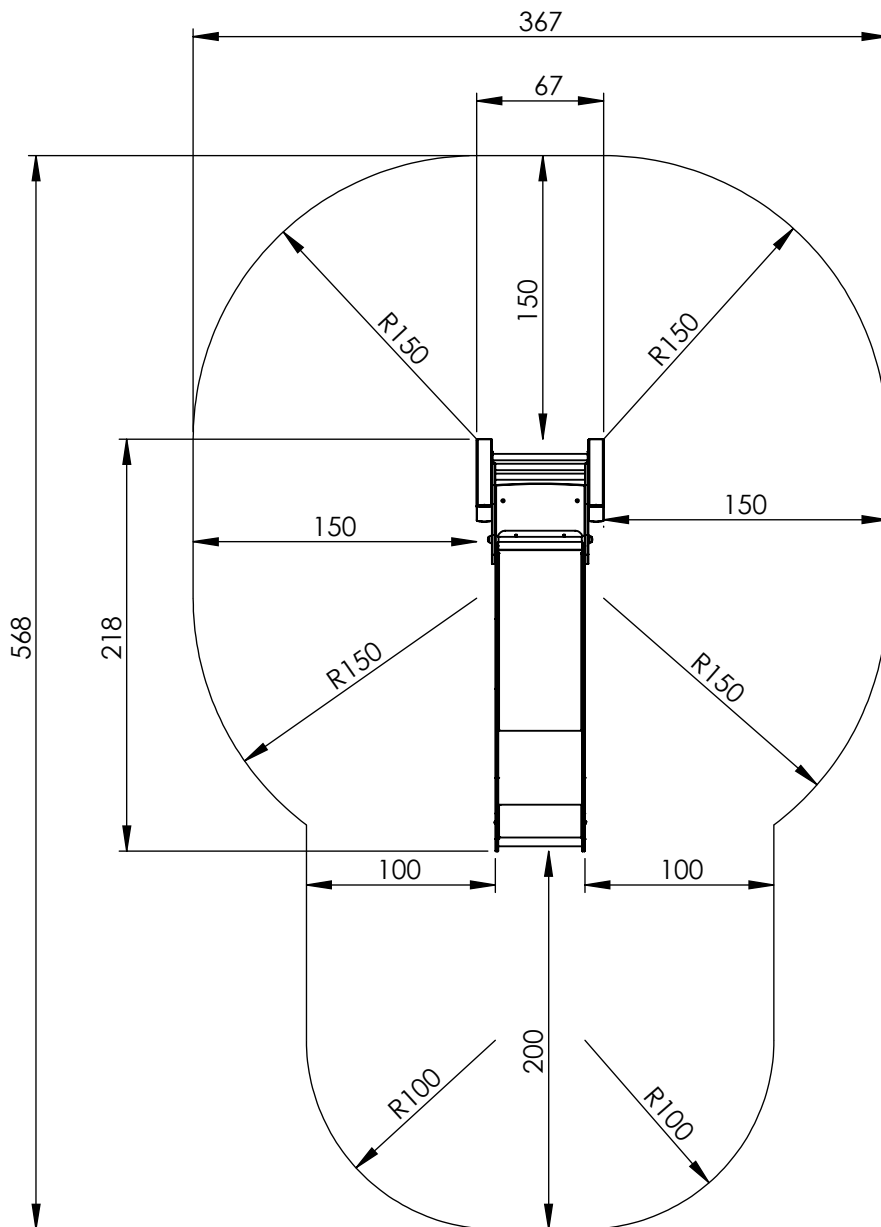
v012
27.01.2022
A. D.
[cm]

vinci
play



[cm]

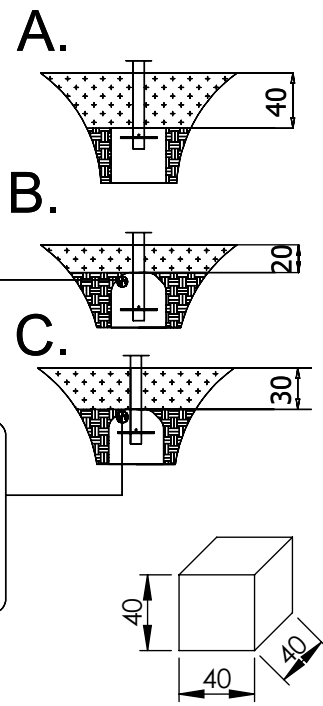
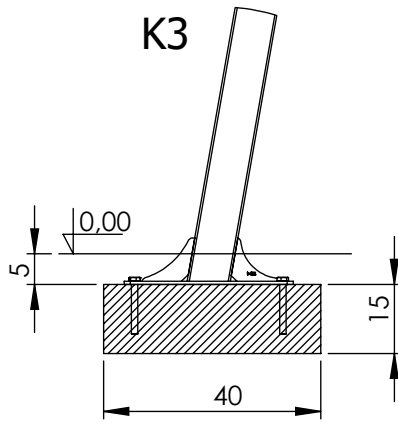
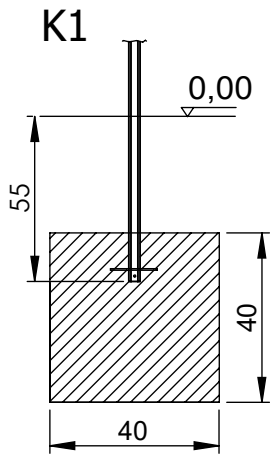
vinci
play





[cm]




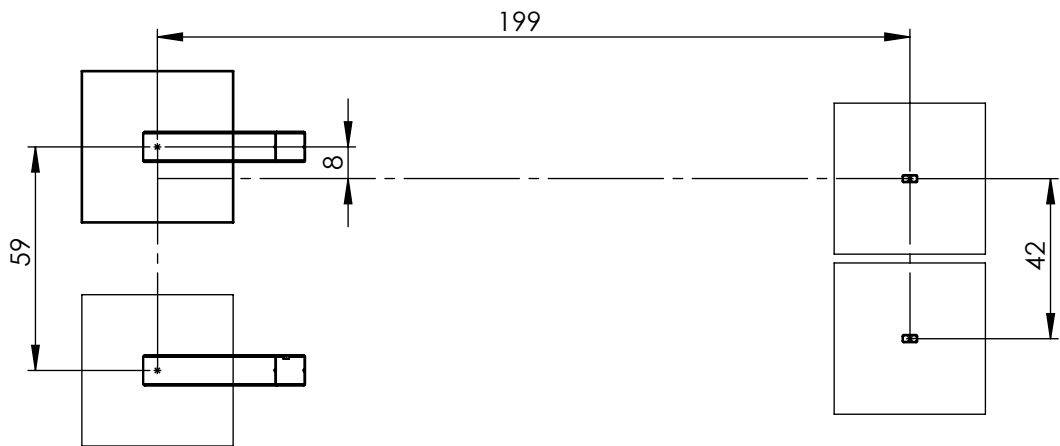
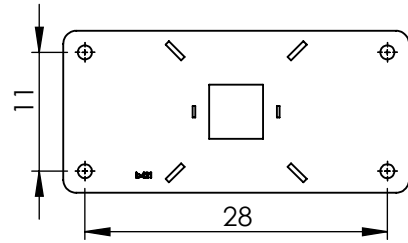
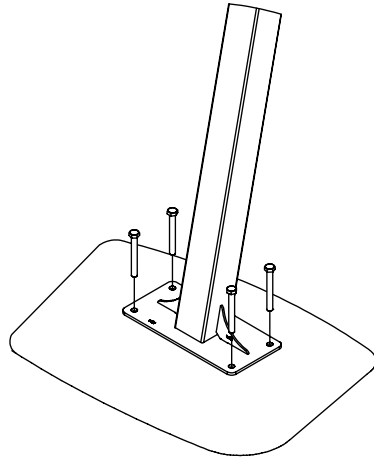
vinci
play



K3 

M10x120 x10 

NOT INCLUDED 



[cm]

 x2
  2h
 
 
  x4 0,06 m³
  48h

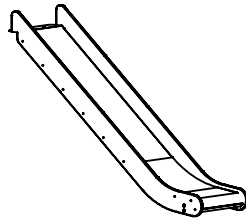
vinci
play



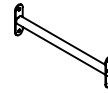
0831
x2



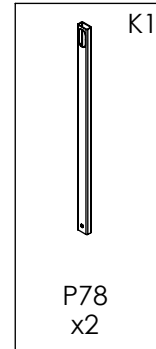
081140
x2



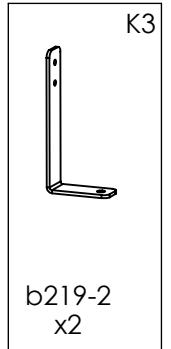
994104
x1



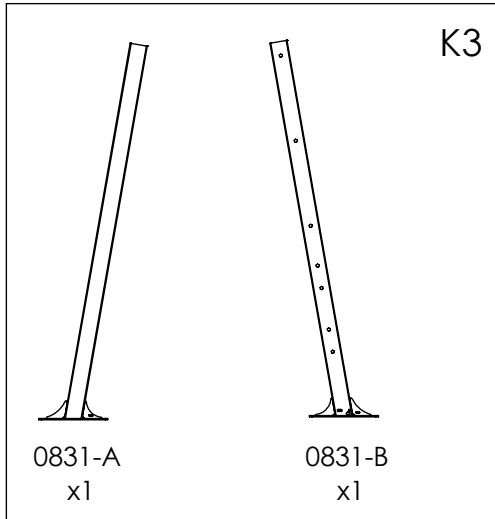
082102
x3



P78
x2



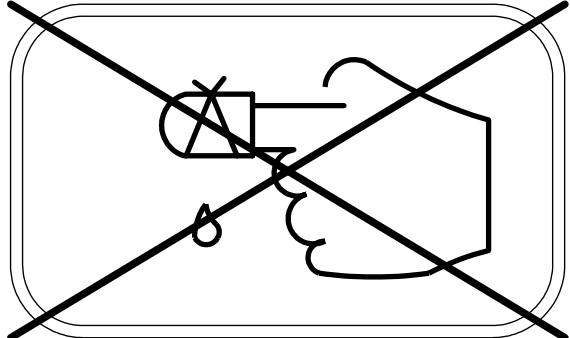
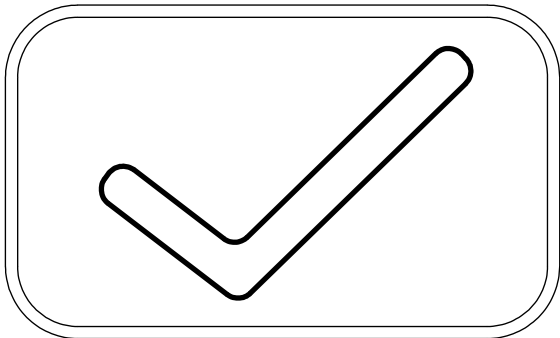
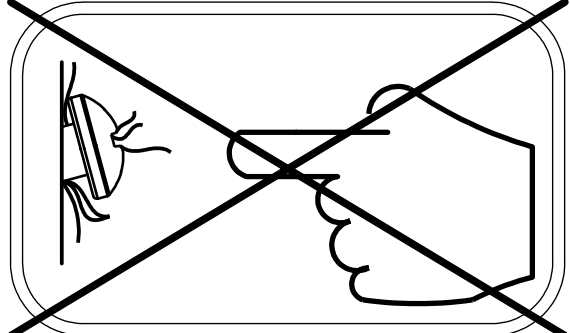
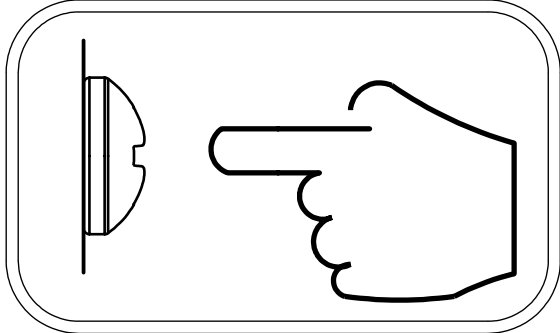
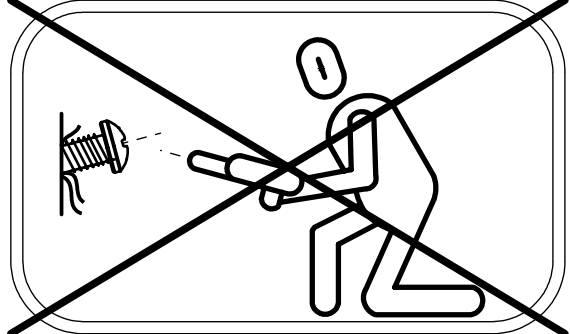
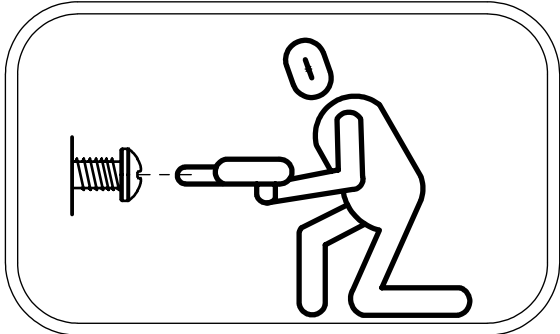
b219-2
x2

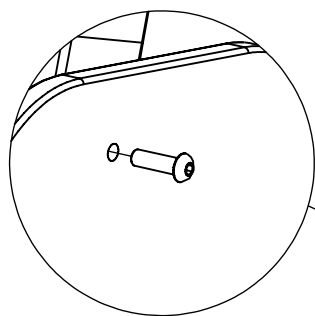


0831-A
x1

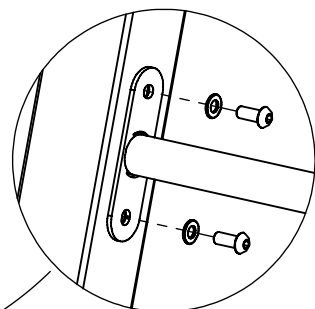
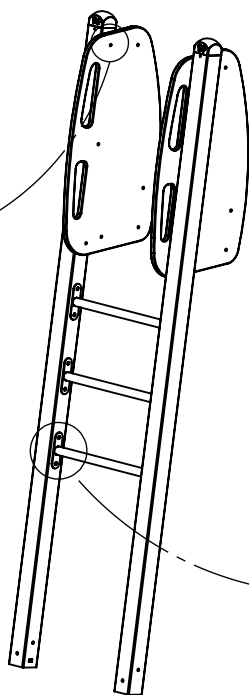
0831-B
x1

ST		HDPE		HPL	
1x	E34	1x	CE51	1x	PH77
3x	E1	1x	CE94	1x	PH78 (s2)
1x	V001	1x	CE95	1x	PH79 (s6)
1x	E190				



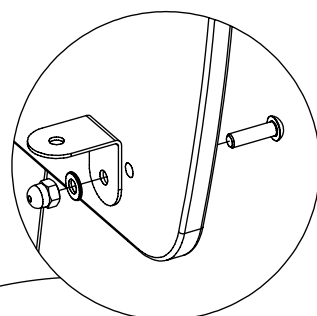
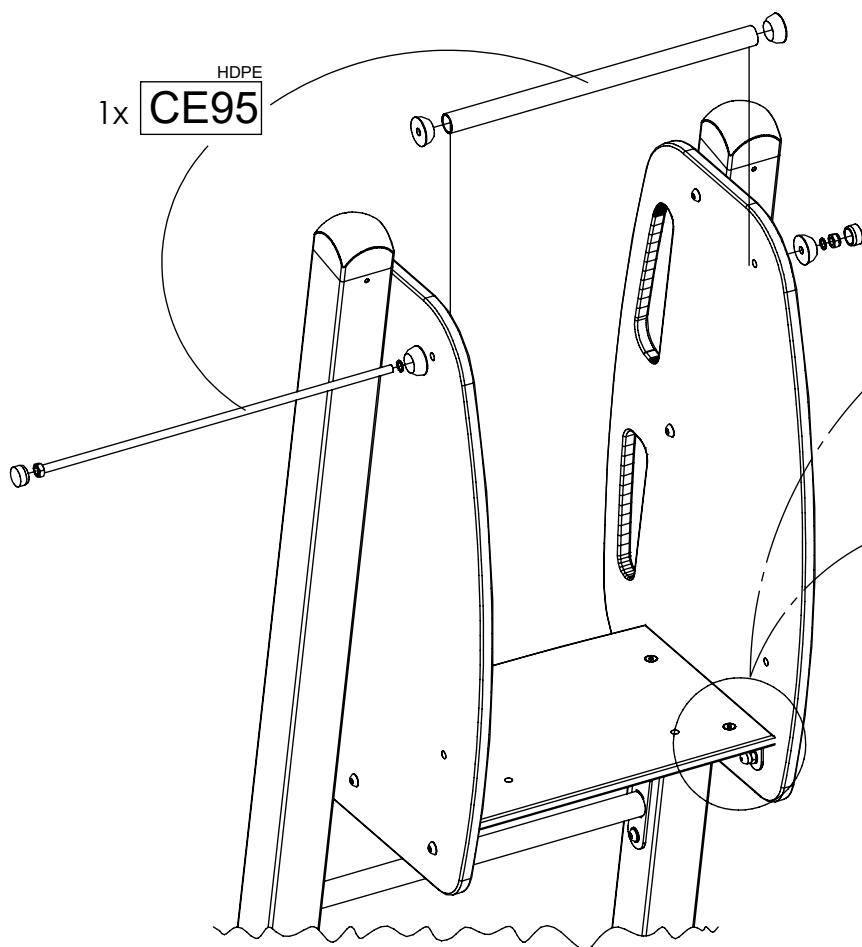


1x **E190**

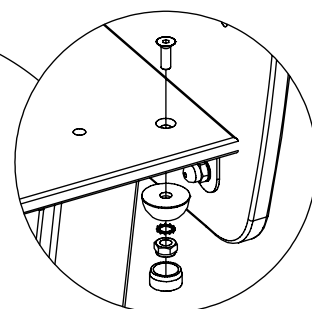


3x **E1**

1x ^{HDPE}
CE95



1x ^{HDPE}
CE94

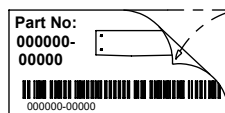
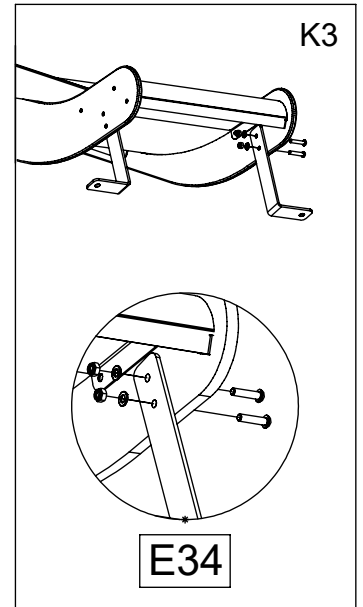
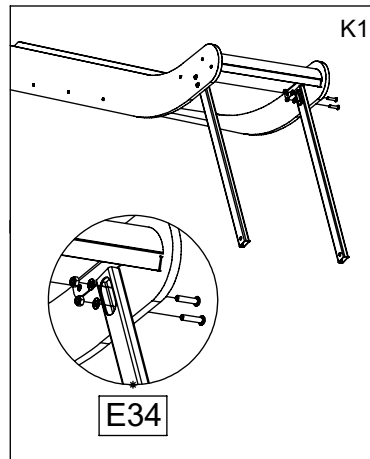
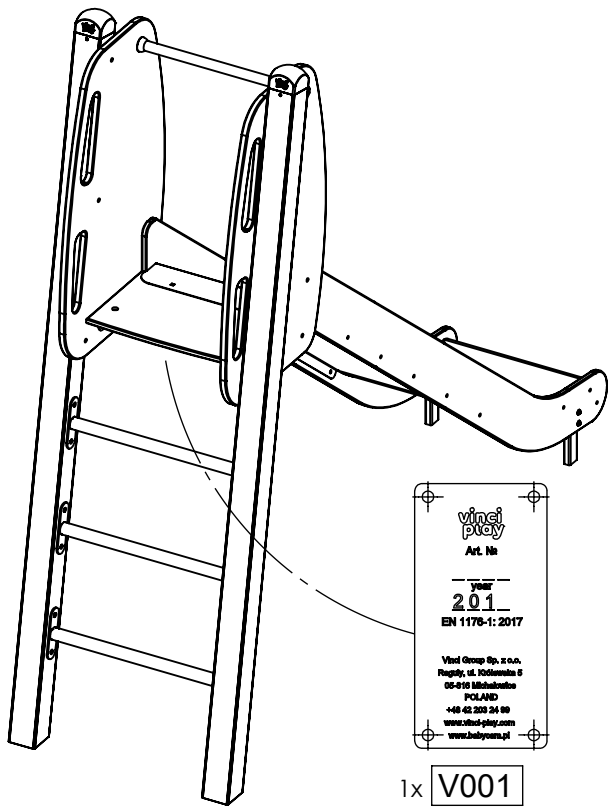
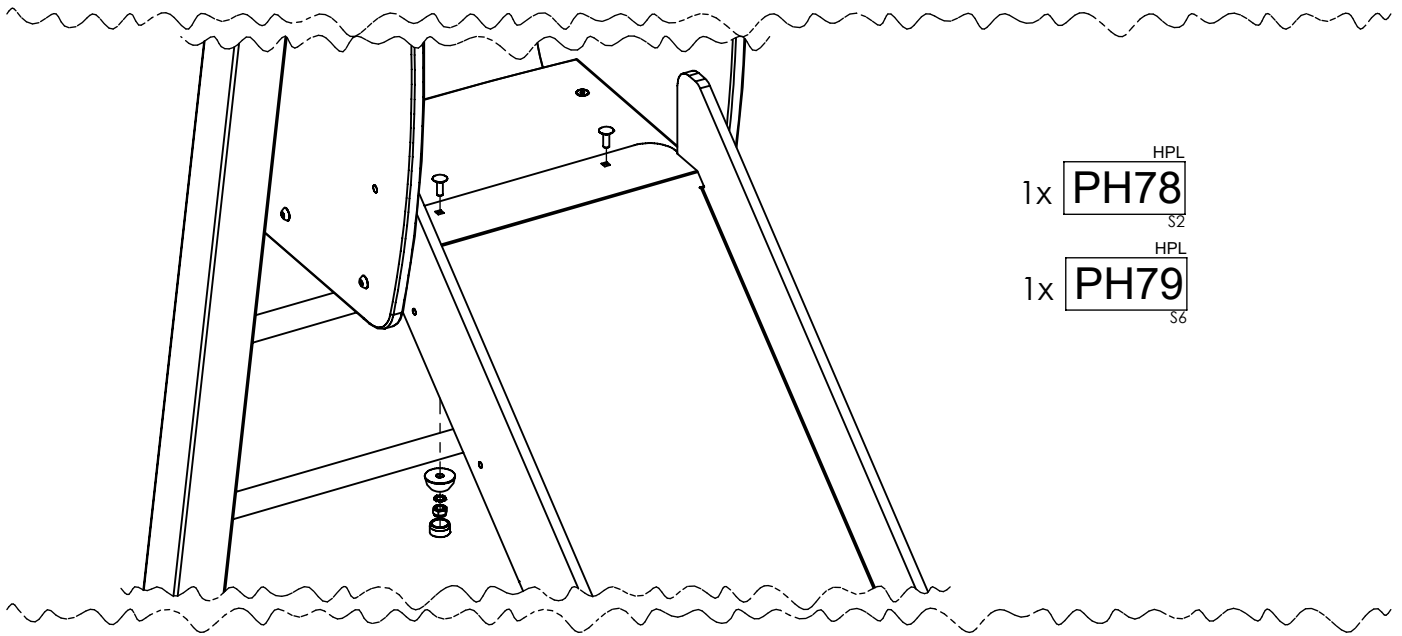


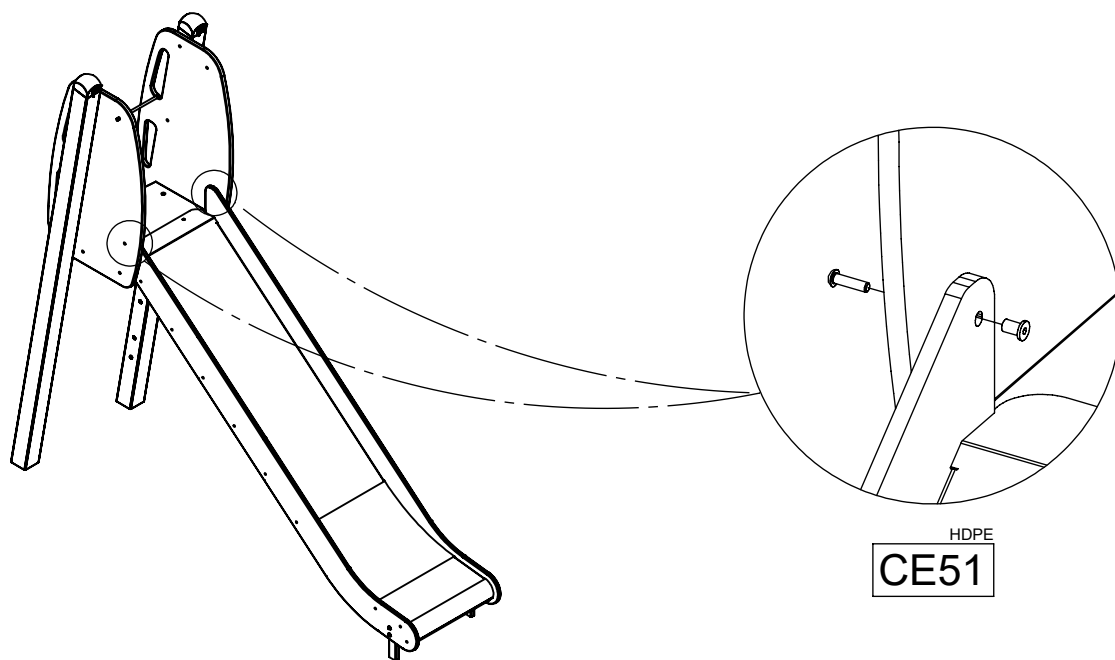
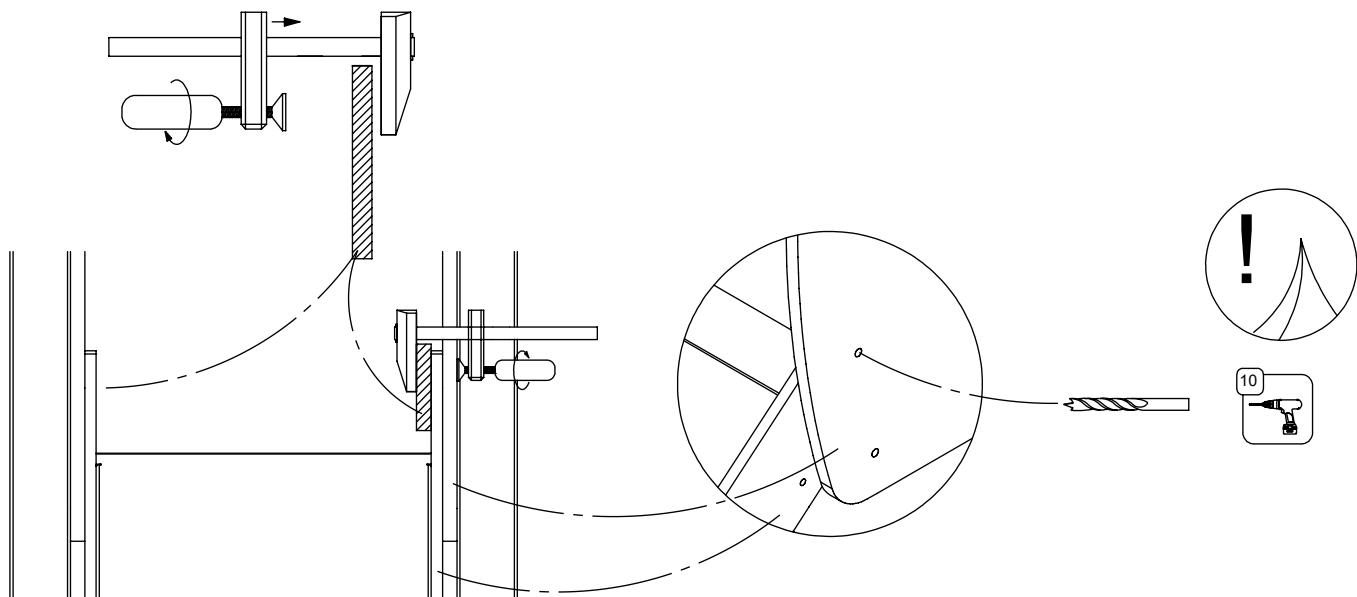
1x ^{HPL}
PH77

[cm]



vinci
play





[cm]



vinci
play